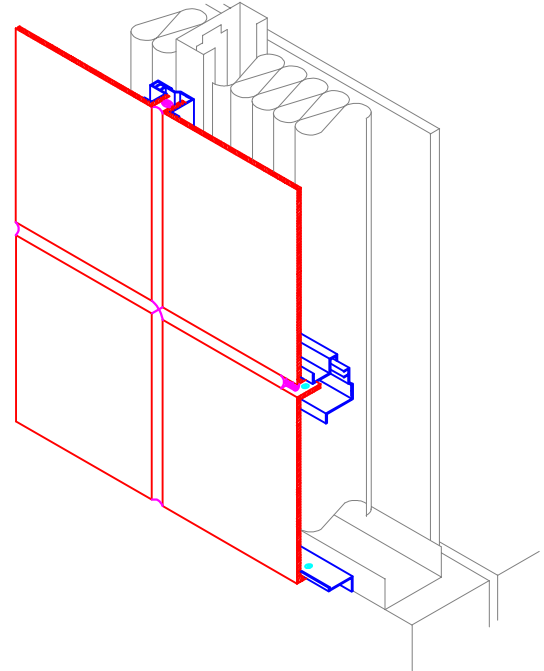
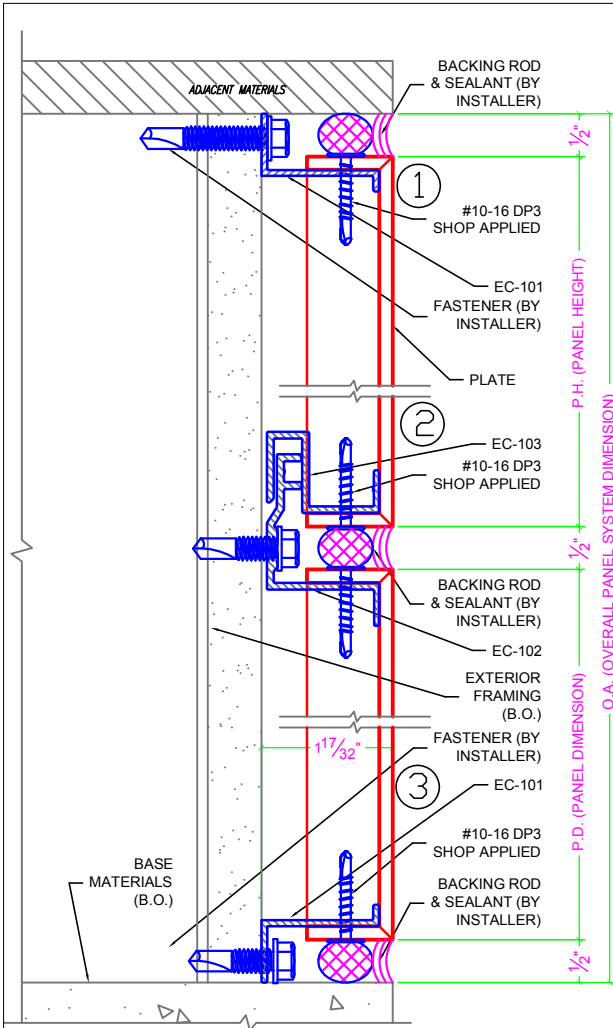


# EC-150

## ROUTE & RETURN WET JOINT SYSTEM



- ① TYPICAL HEAD JOINT
- ② TYPICAL HORIZONTAL/VERTICAL JOINT
- ③ TYPICAL BASE JOINT

EC-150 PANEL SYSTEM - ISOMETRIC

## EC-100 Wet Joint System

The EC-150 PLATE Panel System utilizes panel length, male/female extrusions, that are interlocking and easily installed. The EC-150 is a wet-joint system and is sealed with a silicone sealant. The PLATE is routed and fabricated into "formed pans" that are attached to the EC-150 extrusions. The EC-150 system can be used on projects varying from the most simple to the most complex. The EC-150's versatility allows installation over any structurally sound surface.

# EC-150

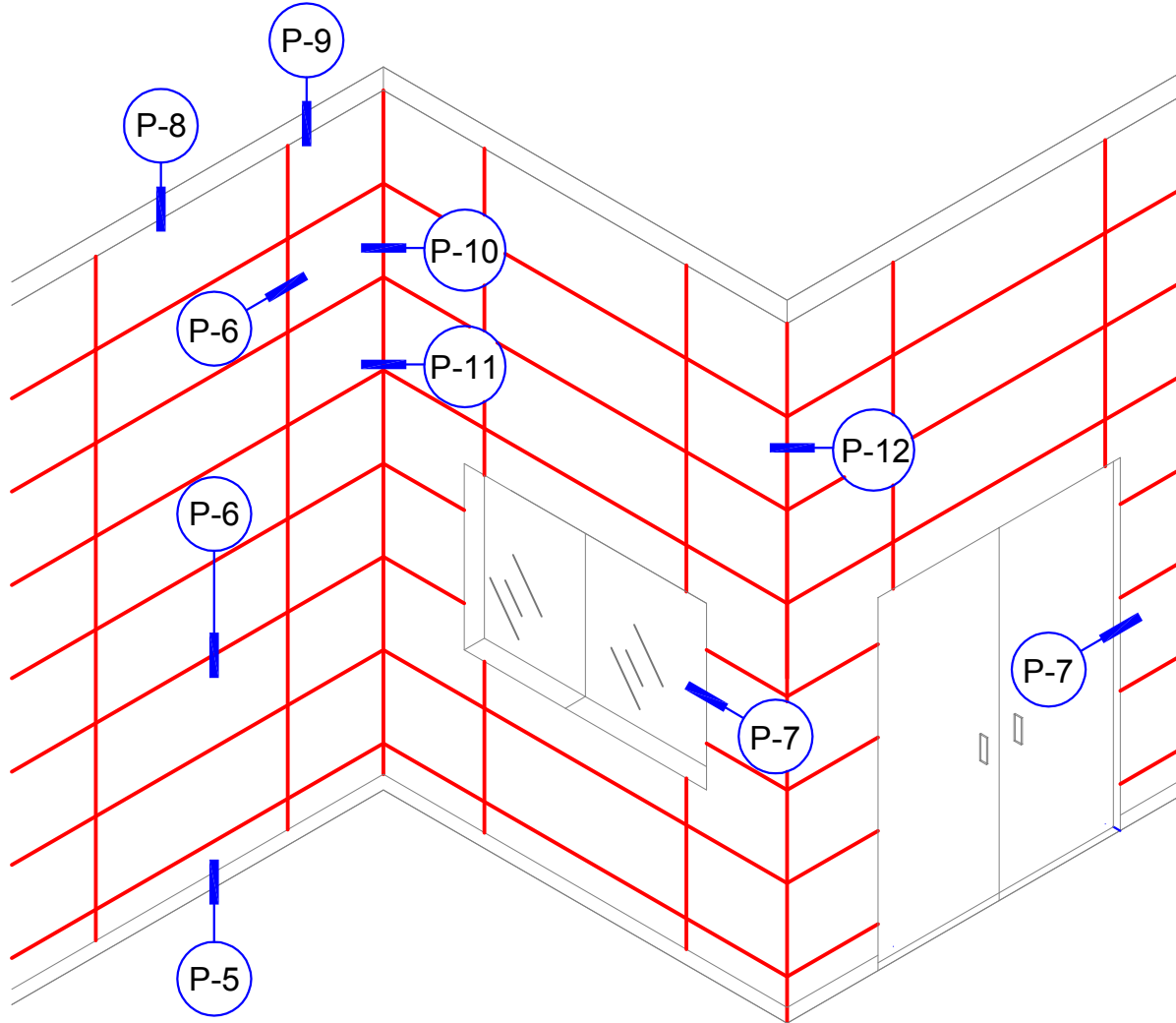
ROUTE & RETURN CAULKED SYSTEM



**EAST COAST**  
METAL SYSTEMS

P.O. Box 217, 407 53RD STREET  
BELLAIRE, OHIO 43906  
(740) 676-2400  
(740) 671-8760 Fax  
www.ecmsinc.net  
ecms@ecmsinc.net

## EC-150 PANEL PLATE SYSTEM



### ABBREVIATIONS

PLATE = ALUM. PLATE  
B.O. = BY OTHERS  
O.A. = OVERALL PANEL  
SYSTEM DIMENSION  
P.D. = PANEL DIMENSION  
P.H. = PANEL HEIGHT  
P.W. = PANEL WIDTH

### INDEX

(P-2) - (P-3): SYSTEM OVERVIEW  
(P-4): EXTRUSIONS  
(P-5) - (P-13): SYSTEM DETAILS

# EC-150

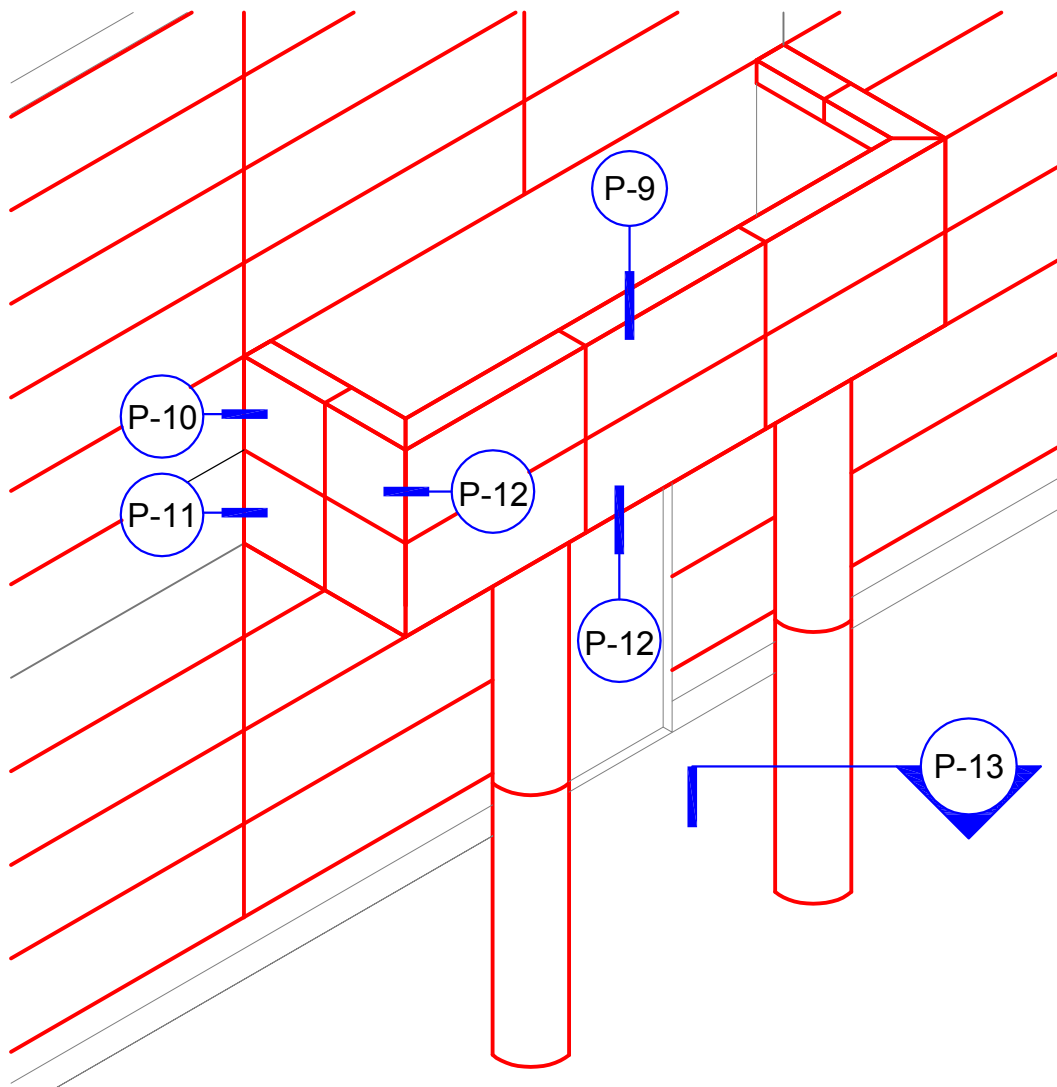
ROUTE & RETURN CAULKED SYSTEM



**EAST COAST**  
METAL SYSTEMS

P.O. Box 217, 407 53RD STREET  
BELLAIRE, OHIO 43906  
(740) 676-2400  
(740) 671-8760 Fax  
www.ecmsinc.net  
ecms@ecmsinc.net

## EC-150 PLATE PANEL SYSTEM CANOPY AND COLUMN WRAPS



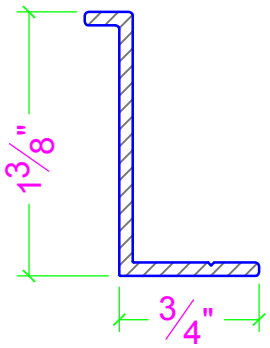
# EC-150

ROUTE & RETURN CAULKED SYSTEM

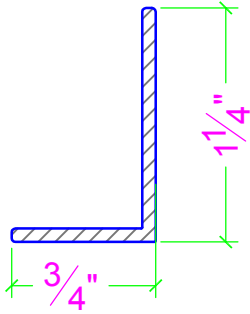


P.O. Box 217, 407 53RD STREET  
BELLAIRE, OHIO 43906  
(740) 676-2400  
(740) 671-8760 Fax  
www.ecmsinc.net  
ecms@ecmsinc.net

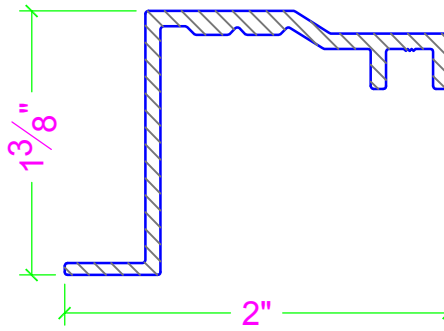
## ATTACHMENT EXTRUSIONS



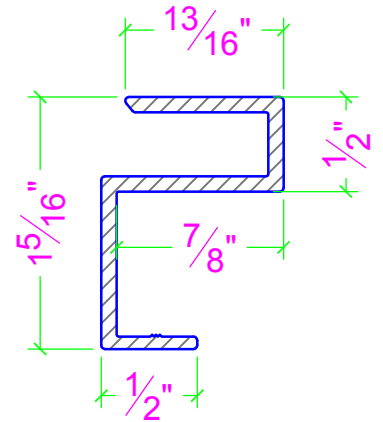
EC-101  
EDGE ANGLE



EC-104  
EDGE ANGLE



EC-102  
MALE CONNECTOR



EC-103  
FEMALE CONNECTOR

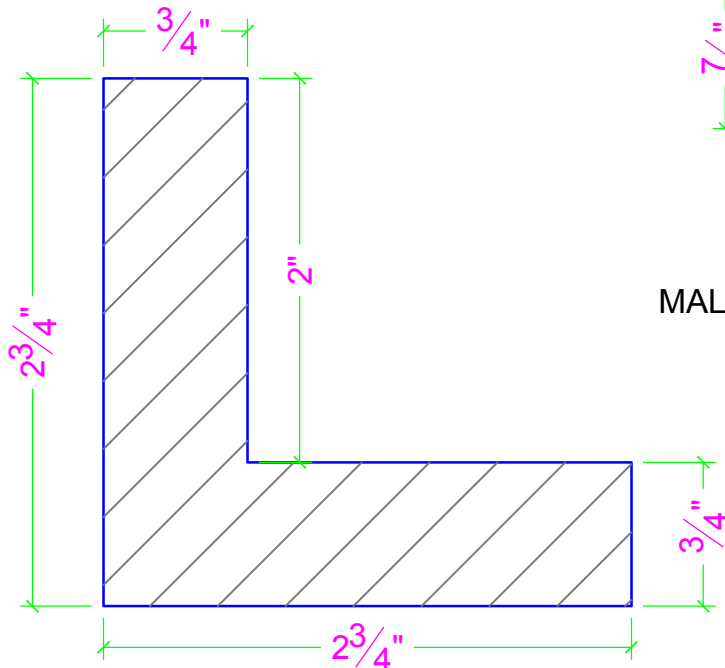
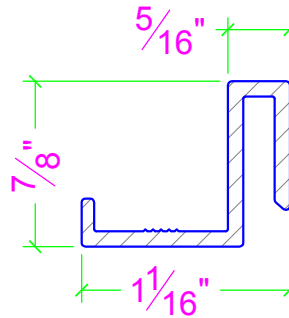
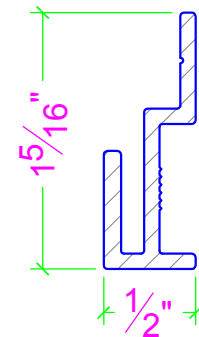


PLATE PANEL RETURN REINFORCEMENT



EC-105  
MALE CONNECTOR



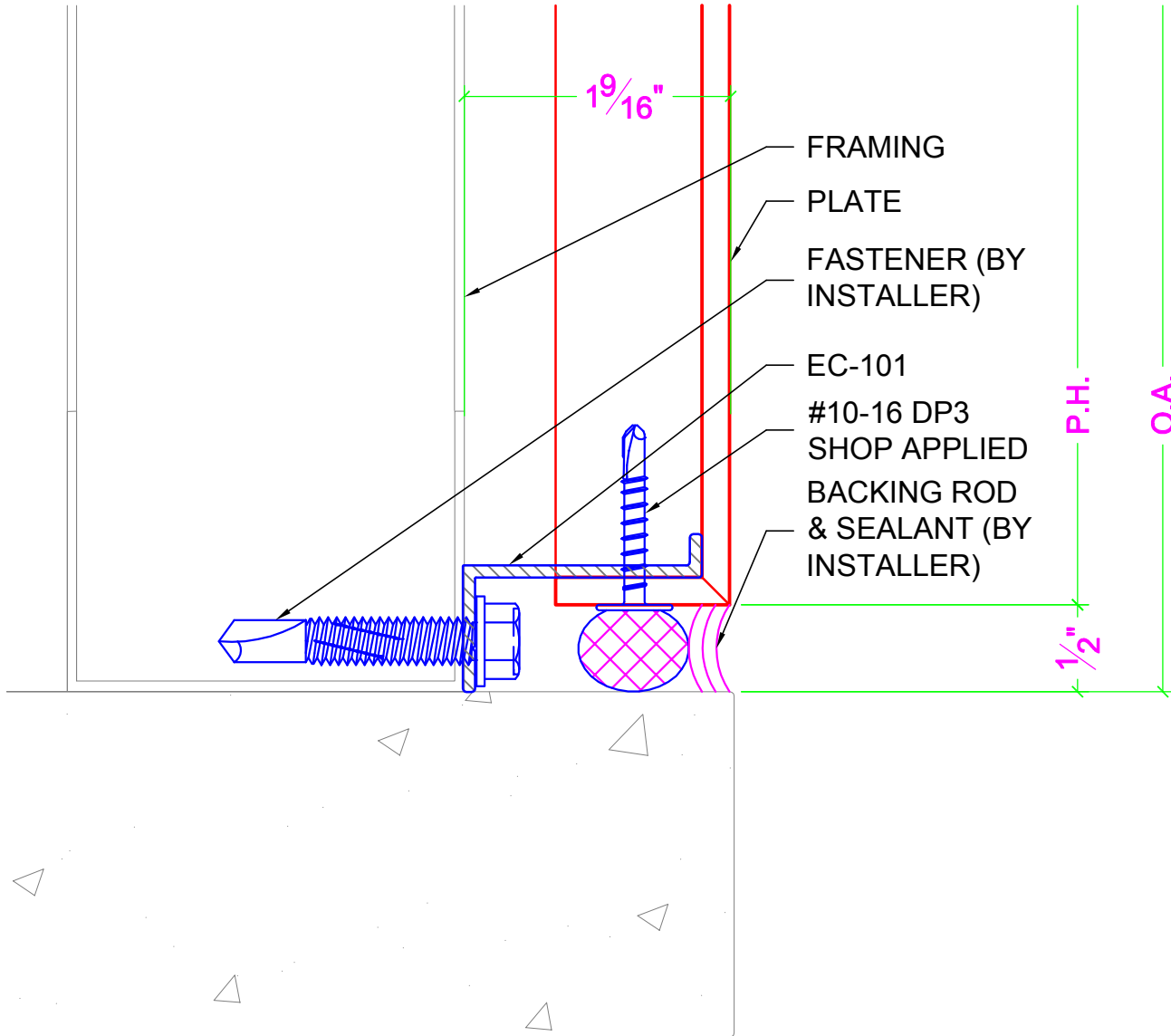
EC-106  
FEMALE CONNECTOR

# EC-150

ROUTE & RETURN CAULKED SYSTEM



P.O. Box 217, 407 53RD STREET  
BELLAIRE, OHIO 43906  
(740) 676-2400  
(740) 671-8760 Fax  
www.ecmsinc.net  
ecms@ecmsinc.net



## SILL CONDITION

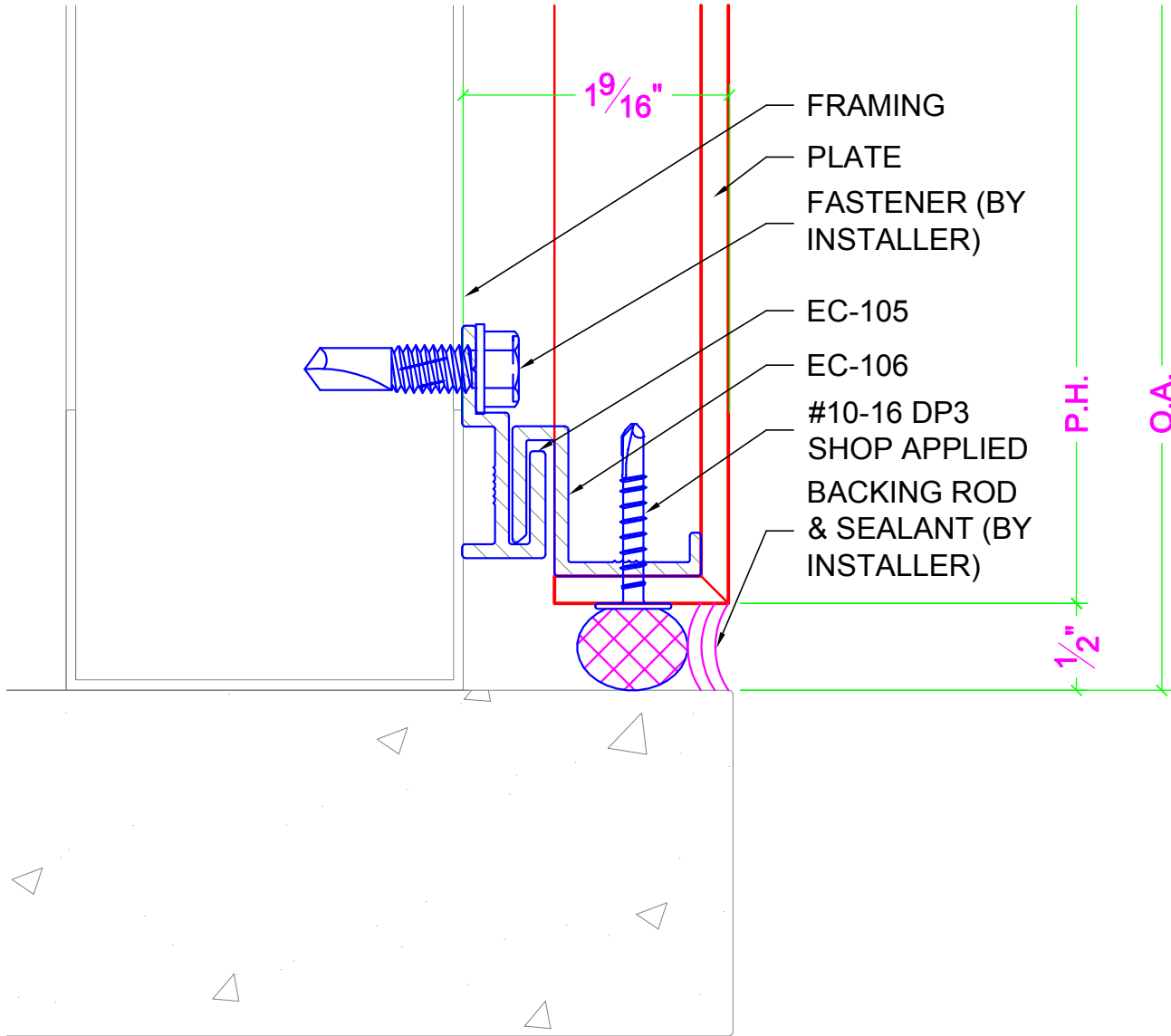
1:1

# EC-150

ROUTE & RETURN CAULKED SYSTEM



P.O. Box 217, 407 53RD STREET  
BELLAIRE, OHIO 43906  
(740) 676-2400  
(740) 671-8760 Fax  
www.ecmsinc.net  
ecms@ecmsinc.net



## SILL CONDITION

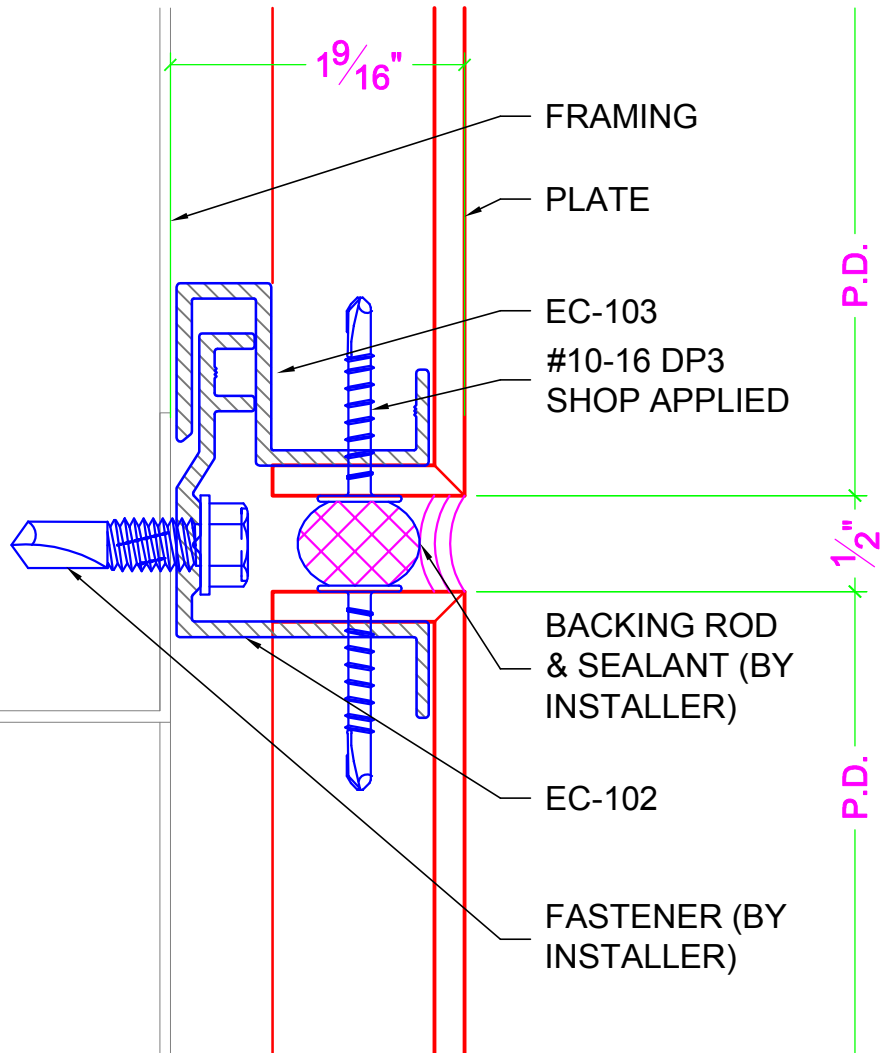
1:1

# EC-150

ROUTE & RETURN CAULKED SYSTEM



P.O. Box 217, 407 53RD STREET  
BELLAIRE, OHIO 43906  
(740) 676-2400  
(740) 671-8760 Fax  
www.ecmsinc.net  
ecms@ecmsinc.net



## HORIZONTAL/VERTICAL JOINT

1:1

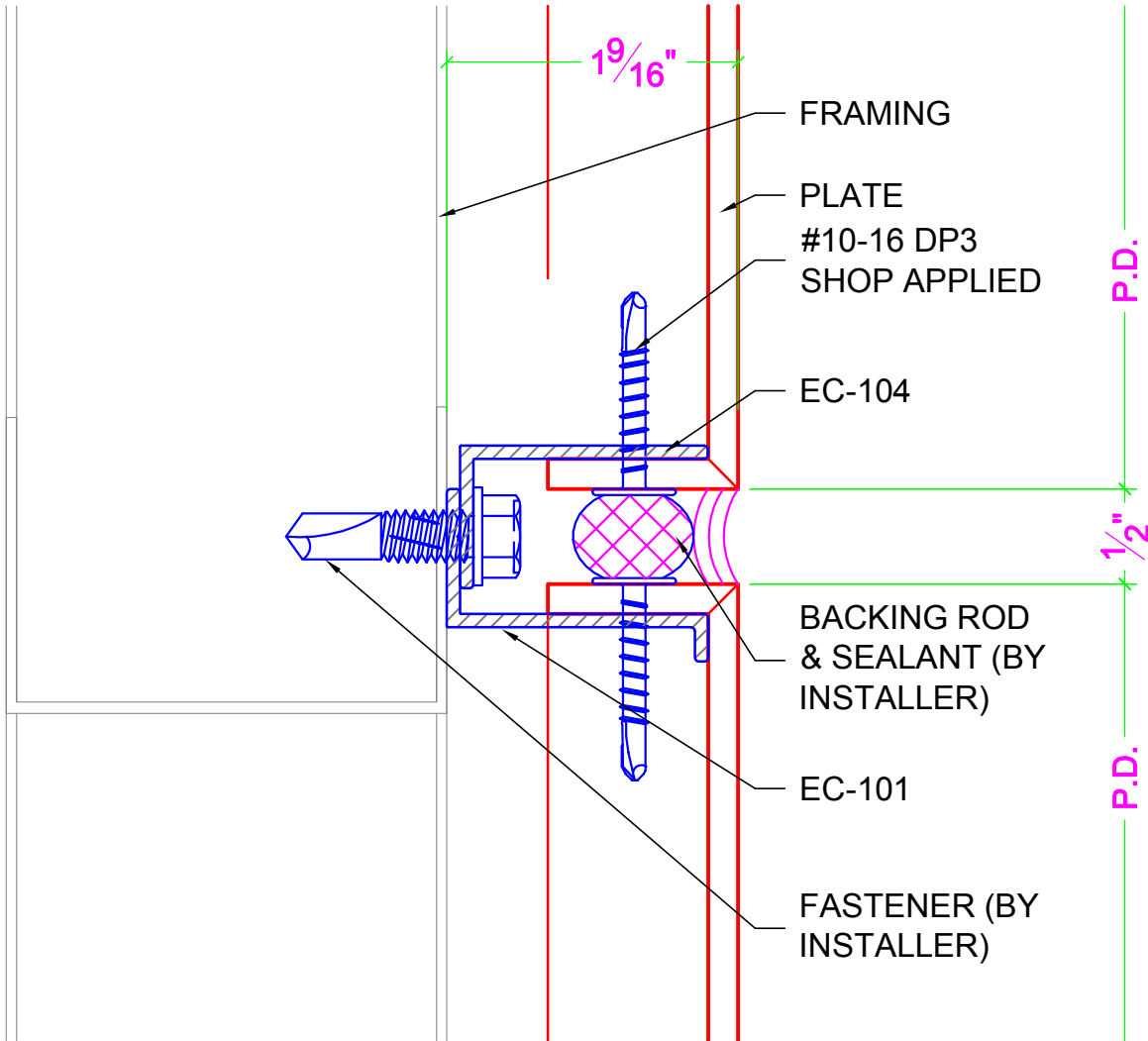
# EC-150

ROUTE & RETURN CAULKED SYSTEM



**EAST COAST**  
METAL SYSTEMS

P.O. Box 217, 407 53RD STREET  
BELLAIRE, OHIO 43906  
(740) 676-2400  
(740) 671-8760 Fax  
www.ecmsinc.net  
ecms@ecmsinc.net



## HORIZONTAL/VERTICAL JOINT

1:1



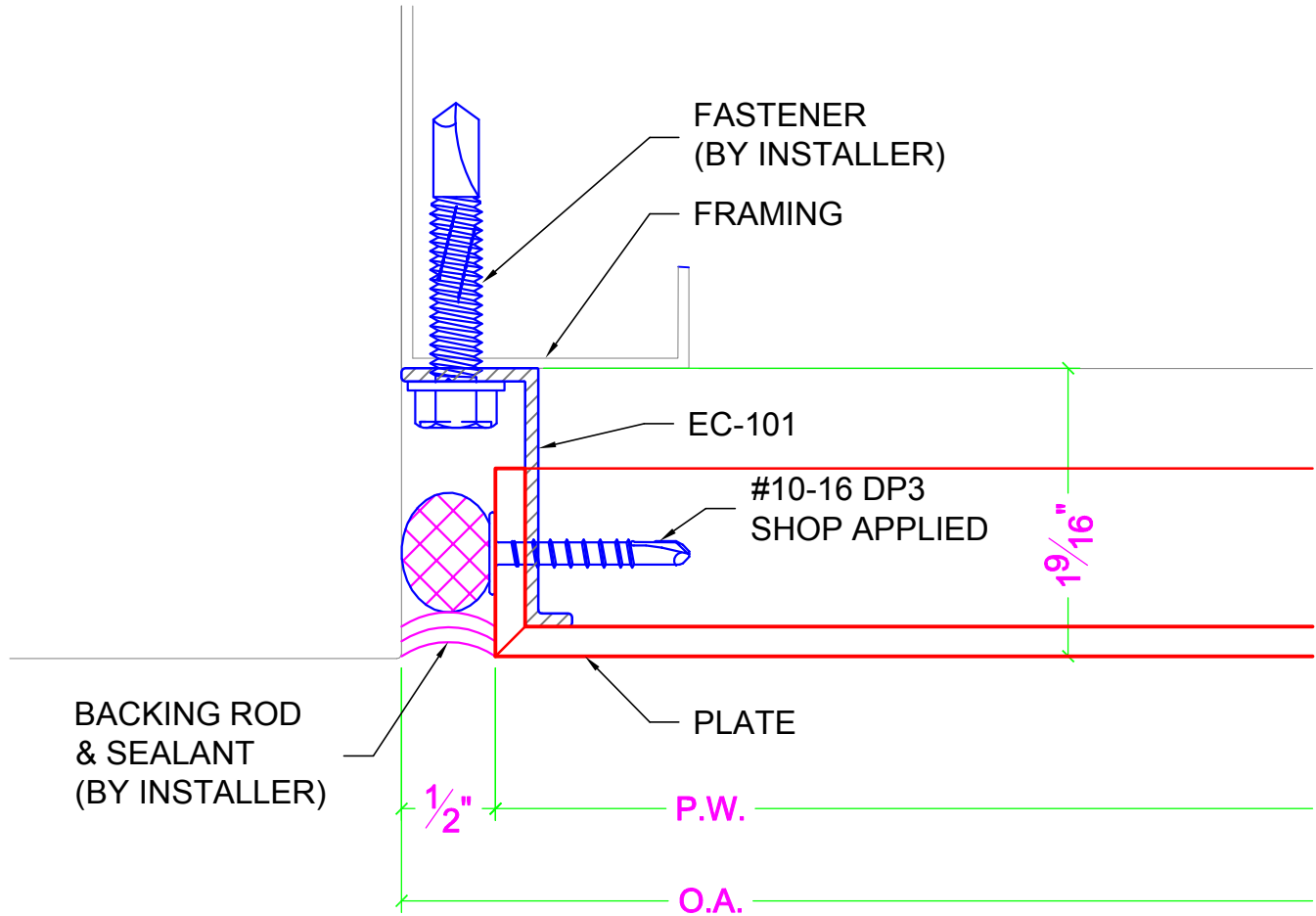
# EC-150

ROUTE & RETURN CAULKED SYSTEM



**EAST COAST**  
METAL SYSTEMS

P.O. Box 217, 407 53RD STREET  
BELLAIRE, OHIO 43906  
(740) 676-2400  
(740) 671-8760 Fax  
www.ecmsinc.net  
ecms@ecmsinc.net



## EDGE CONDITION

1:1

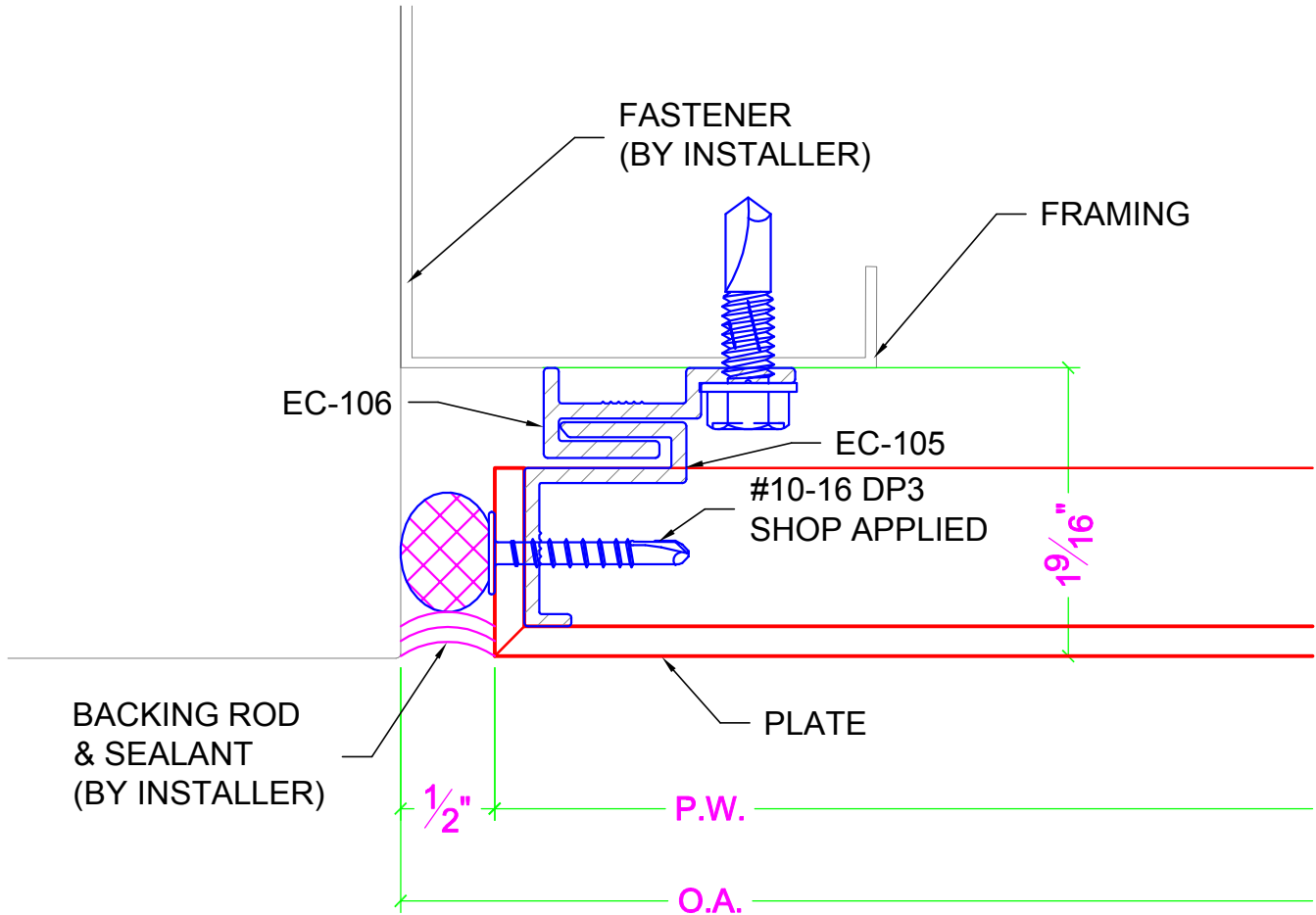
# EC-150

ROUTE & RETURN CAULKED SYSTEM



**EAST COAST**  
METAL SYSTEMS

P.O. Box 217, 407 53RD STREET  
BELLAIRE, OHIO 43906  
(740) 676-2400  
(740) 671-8760 Fax  
www.ecmsinc.net  
ecms@ecmsinc.net



## EDGE CONDITION

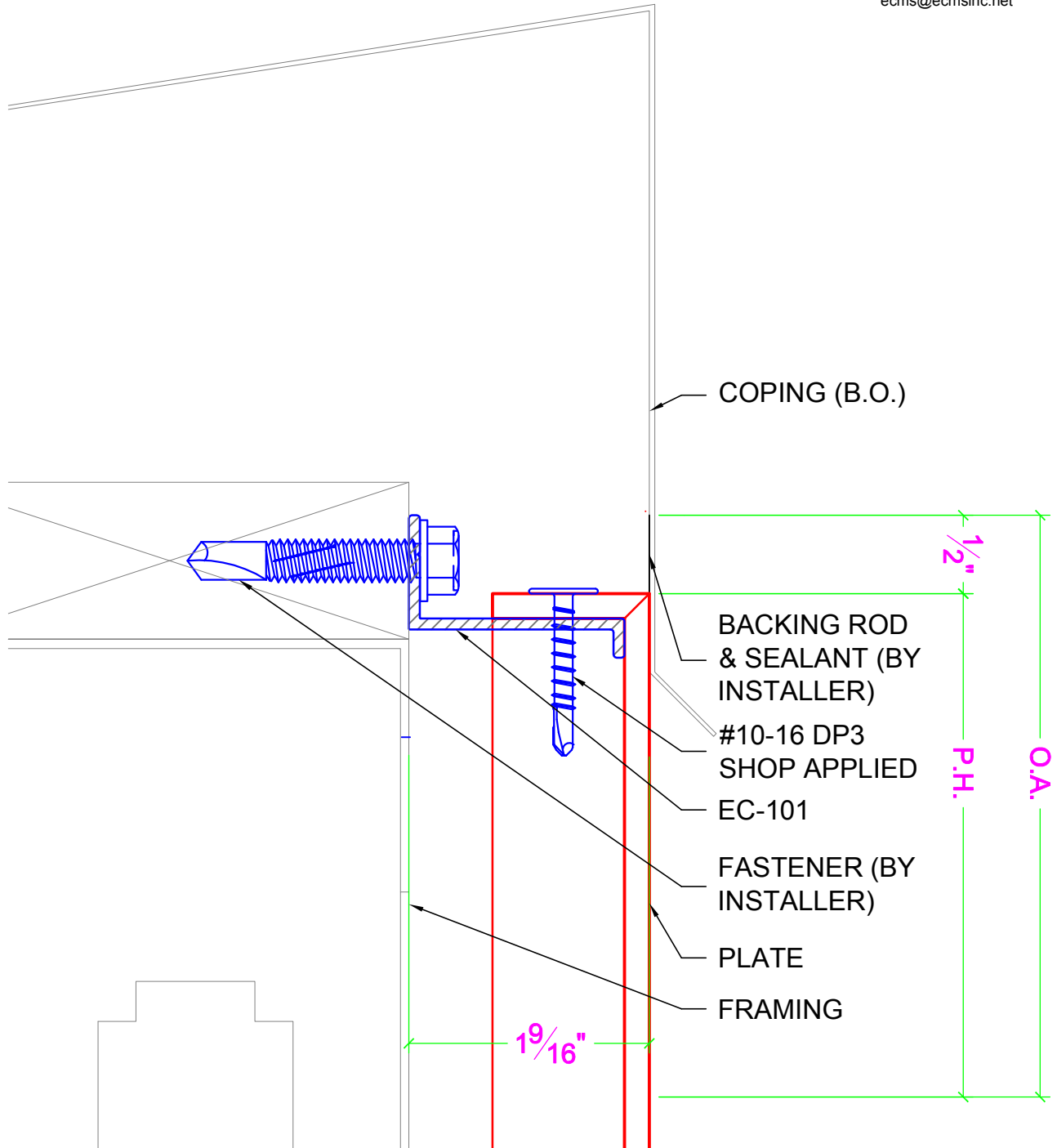
1:1

# EC-150

ROUTE & RETURN CAULKED SYSTEM



P.O. Box 217, 407 53RD STREET  
BELLAIRE, OHIO 43906  
(740) 676-2400  
(740) 671-8760 Fax  
www.ecmsinc.net  
ecms@ecmsinc.net



## PARAPET CONDITION WITH DISSIMILAR MATERIAL

1:1

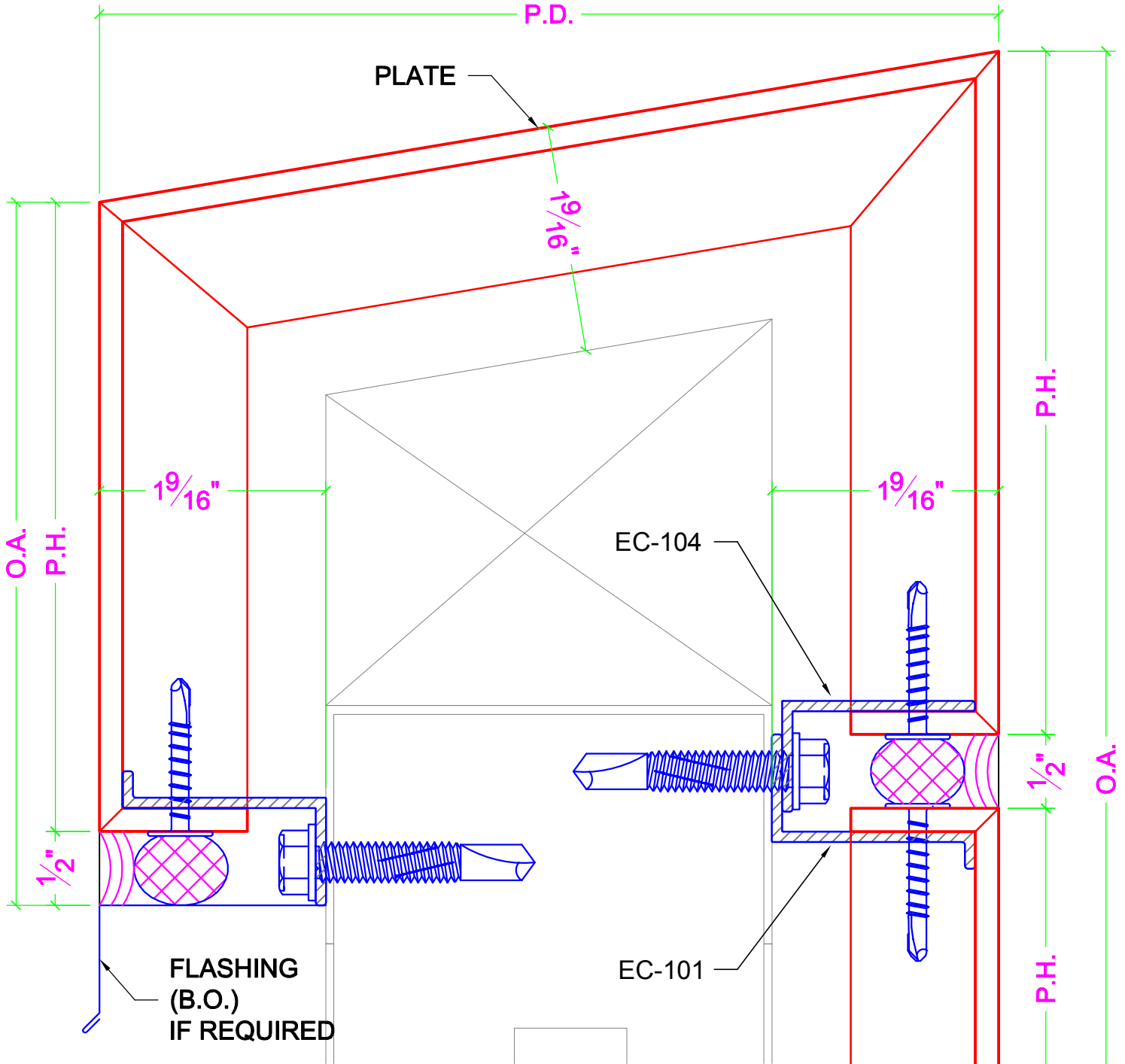
# EC-150

ROUTE & RETURN CAULKED SYSTEM



**EAST COAST**  
METAL SYSTEMS

P.O. Box 217, 407 53RD STREET  
BELLAIRE, OHIO 43906  
(740) 676-2400  
(740) 671-8760 Fax  
www.ecmsinc.net  
ecms@ecmsinc.net



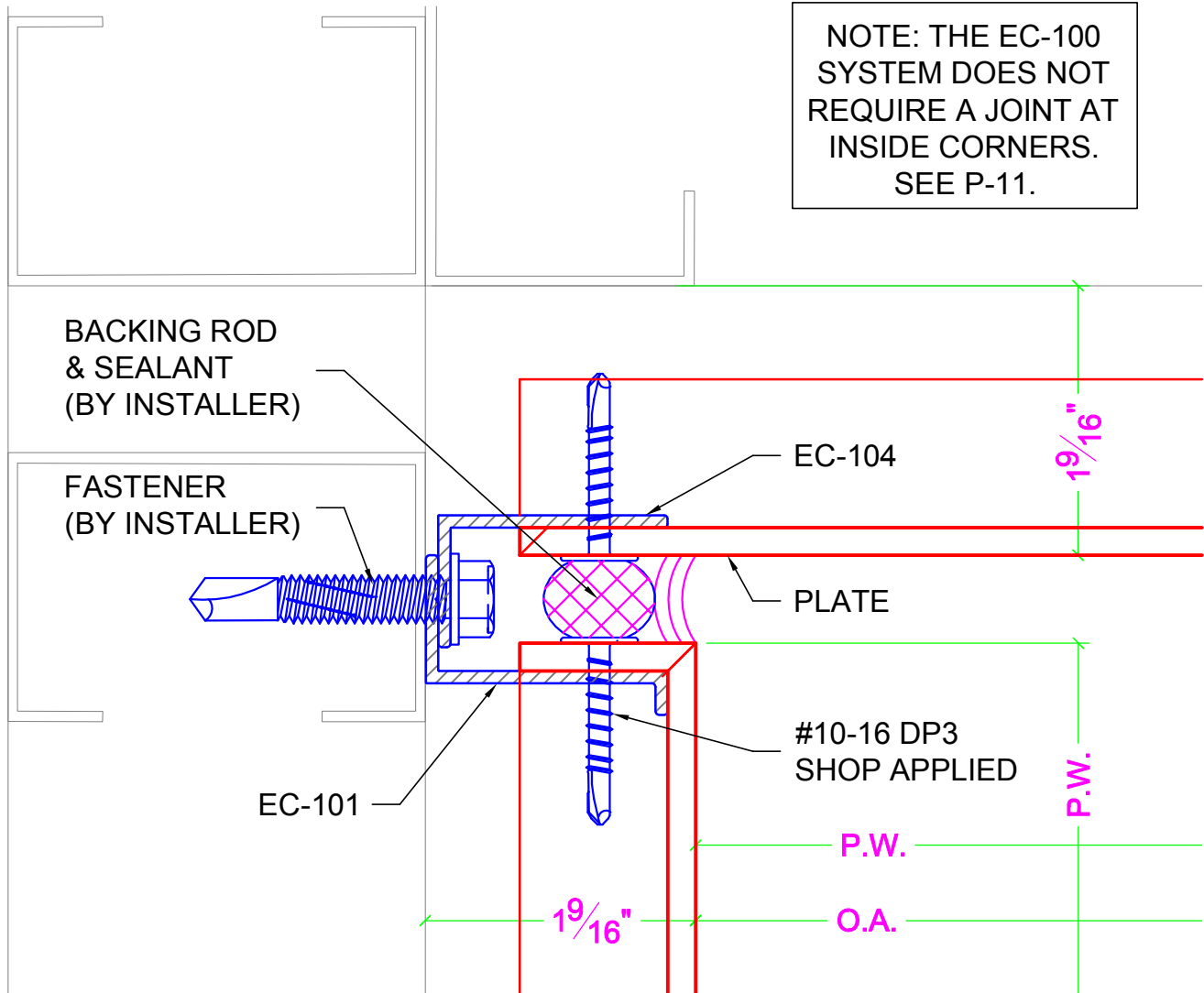
## PARAPET CONDITION WITH PLATE COPING

1:1

# EC-150

ROUTE & RETURN CAULKED SYSTEM

NOTE: THE EC-100 SYSTEM DOES NOT REQUIRE A JOINT AT INSIDE CORNERS. SEE P-11.



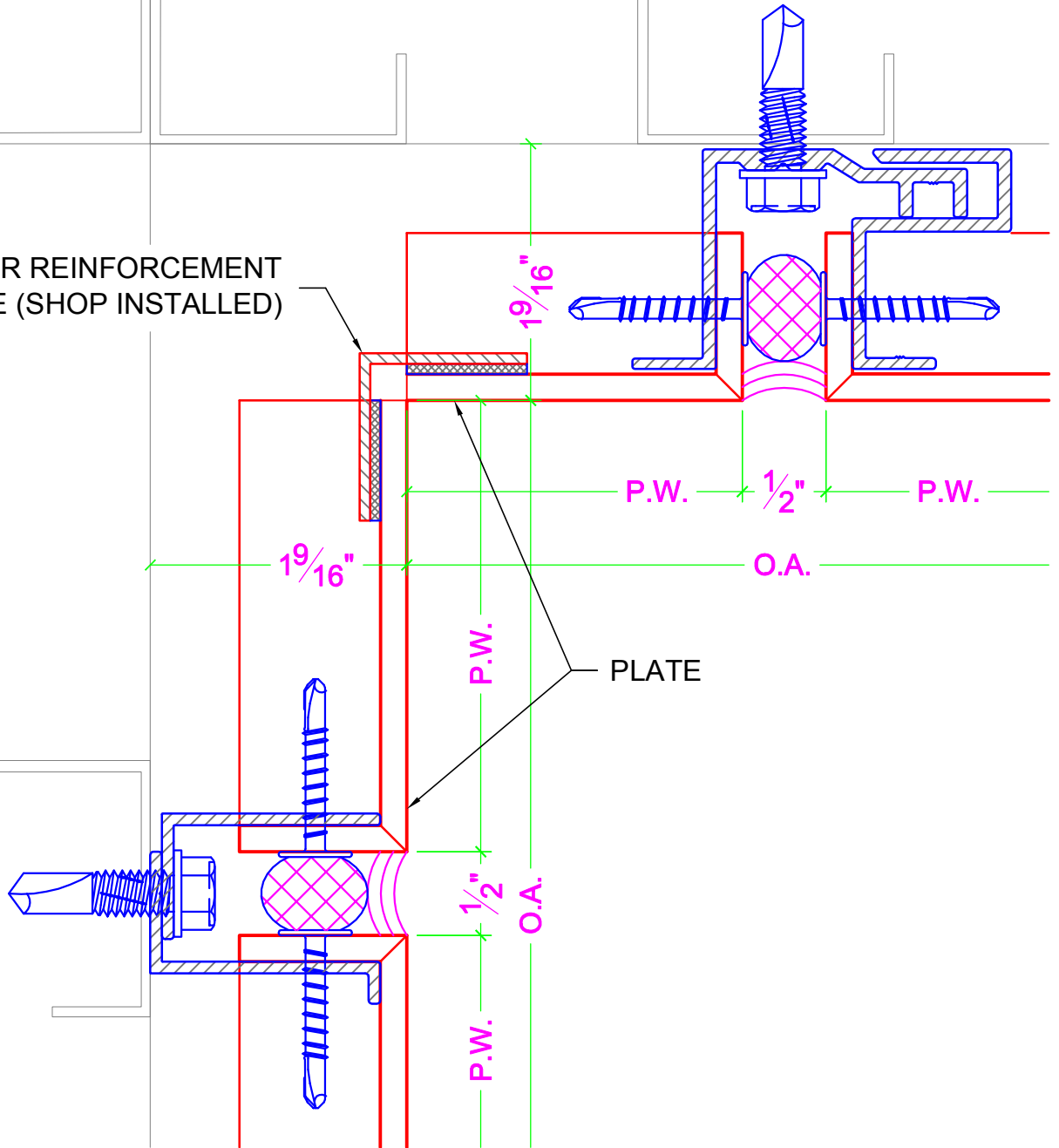
## INSIDE CORNER CONDITION WITH JOINT

1:1

# EC-150

ROUTE & RETURN CAULKED SYSTEM

CORNER REINFORCEMENT  
ANGLE (SHOP INSTALLED)



**INSIDE CORNER CONDITION  
NO JOINT**

1:1

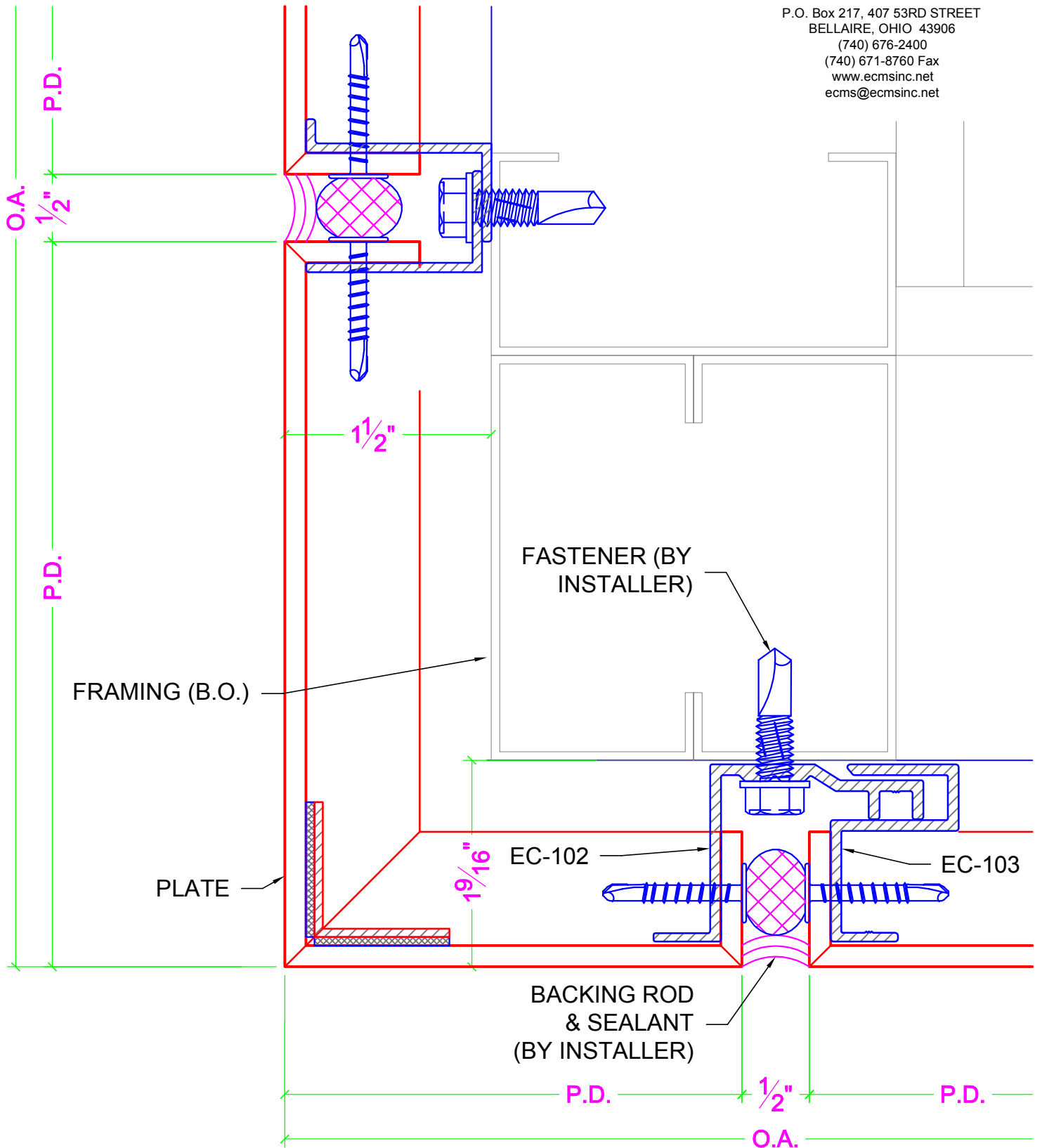
# EC-150

ROUTE & RETURN CAULKED SYSTEM



**EAST COAST**  
METAL SYSTEMS

P.O. Box 217, 407 53RD STREET  
BELLAIRE, OHIO 43906  
(740) 676-2400  
(740) 671-8760 Fax  
www.ecmsinc.net  
ecms@ecmsinc.net



## OUTSIDE CORNER/FASCIA SOFFIT

1:1

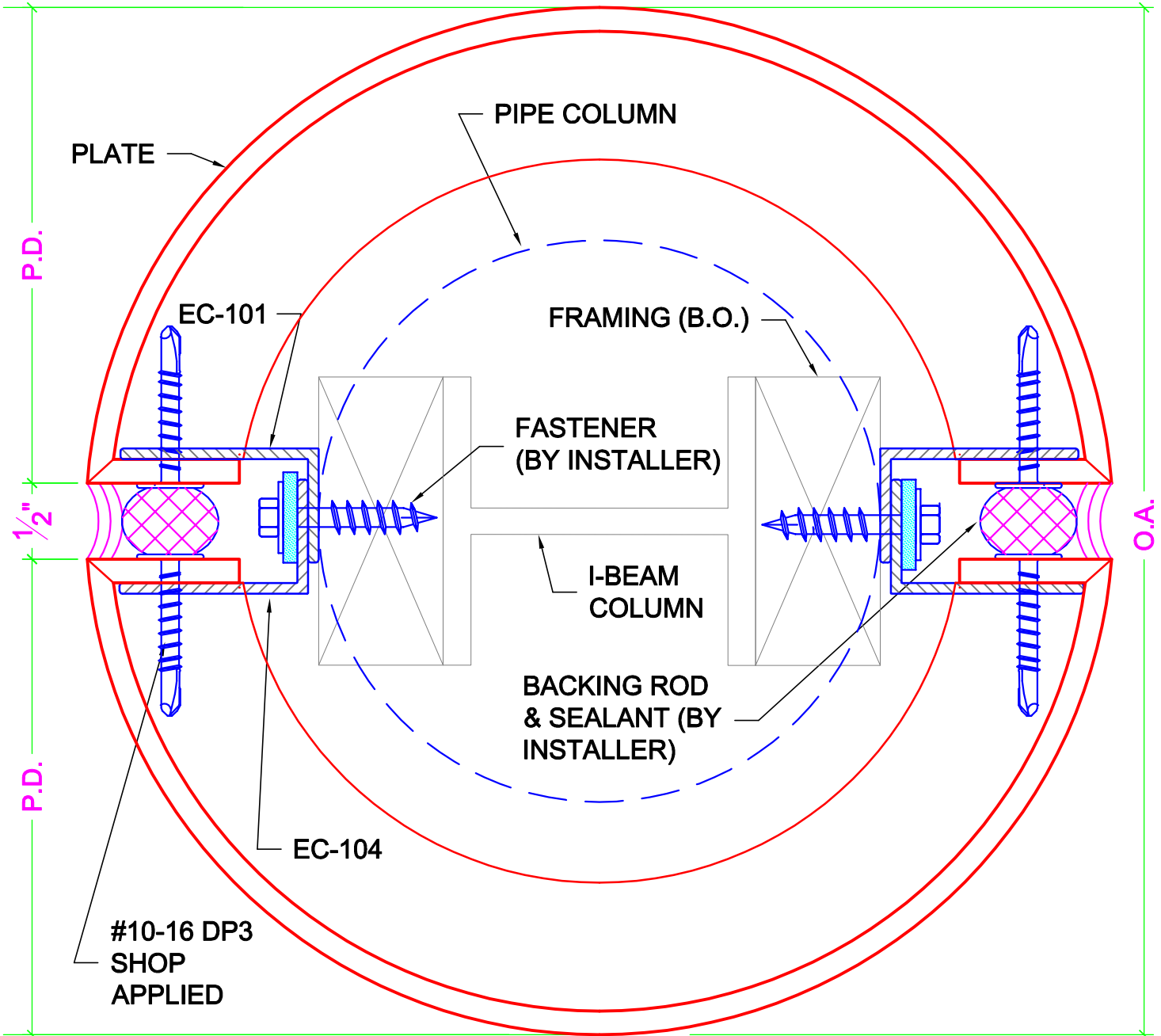
# EC-150

ROUTE & RETURN CAULKED SYSTEM



**EAST COAST**  
METAL SYSTEMS

P.O. Box 217, 407 53RD STREET  
BELLAIRE, OHIO 43906  
(740) 676-2400  
(740) 671-8760 Fax  
www.ecmsinc.net  
ecms@ecmsinc.net



## CONDITION AT COLUMN

1:1