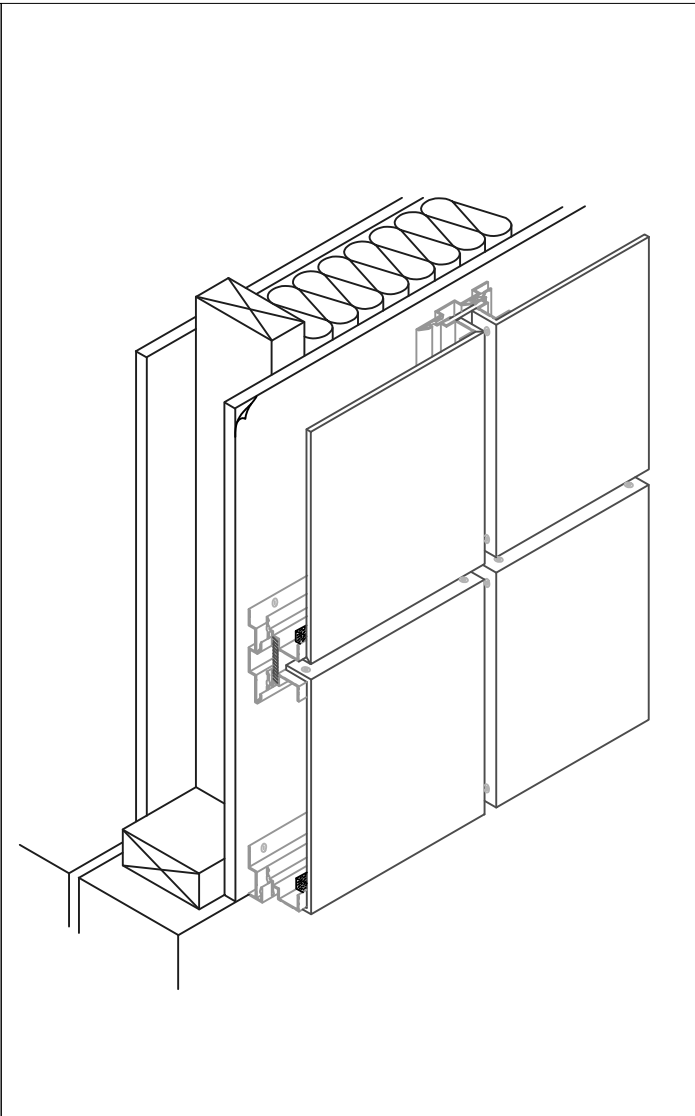
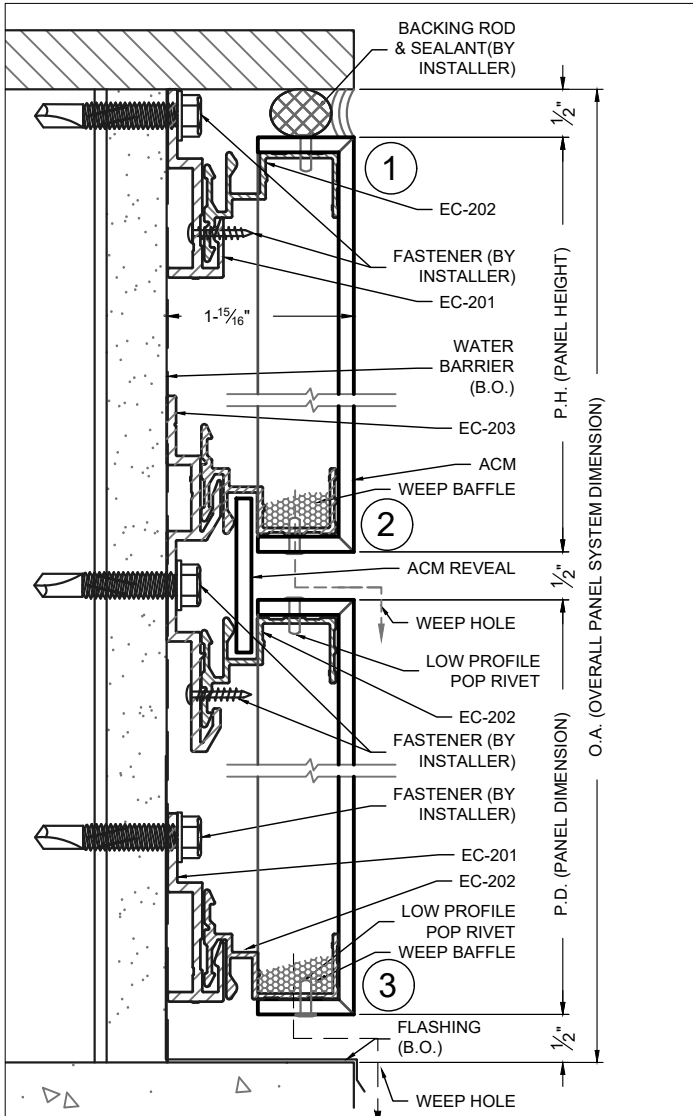


# EC-200

RAIN SCREEN PRESSURE EQUALIZED  
DRY-JOINT SYSTEM



625 Distribution Road  
Triadelphia, WV 26059  
(800) 345-6755  
(304) 909-4242 Fax  
www.ecmsinc.net  
ecms@ecmsinc.net



- ① TYPICAL HEAD DETAIL
- ② TYPICAL HORIZONTAL/VERTICAL JOINT
- ③ TYPICAL BASE JOINT

EC-200 PANEL SYSTEM - ISOMETRIC

## EC-200 Dry Joint System

The EC-200 Aluminum Composite Panel (ACP) System allows minimal water permeation. The minimal amount of water that does penetrate the system drains through weep holes. This system utilizes full length EC-202 extrusions with 6" clips (EC-2032). The EC-200 utilizes a "floating" panel attached to the extrusion to provide an ACP reveal of 1/2" to 12". The system requires no caulking with the exception of joints at perimeter edges. The EC-200 provides a hi-tech, clean look and is easy to install.

# EC-200

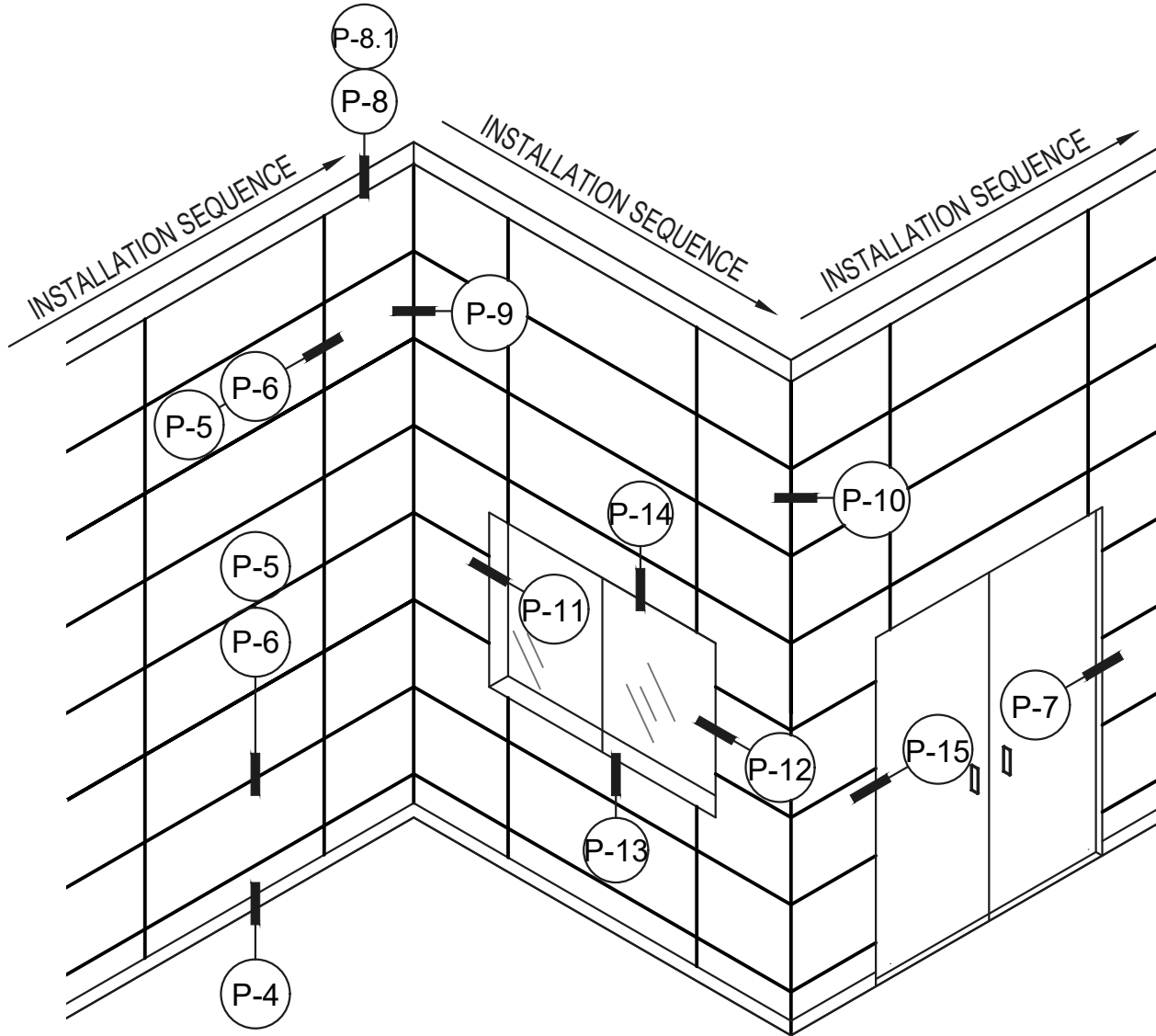
RAIN SCREEN PRESSURE EQUALIZED  
DRY-JOINT SYSTEM



**EAST COAST**  
METAL SYSTEMS

625 Distribution Road  
Triadelphia, WV 26059  
(800) 345-6755  
(304) 909-4242 Fax  
www.ecmsinc.net  
ecms@ecmsinc.net

## EC-200 COMPOSITE PANEL SYSTEM



### ABBREVIATIONS

ACM = ALUM. COMPOSITE MATERIAL  
B.O. = BY OTHERS  
O.A. = OVERALL PANEL  
SYSTEM DIMENSION  
P.D. = PANEL DIMENSION  
P.H. = PANEL HEIGHT  
P.W. = PANEL WIDTH

### INDEX

(P-2): SYSTEM OVERVIEW  
(P-3): EXTRUSIONS  
(P-4) - (P-18): SYSTEM DETAILS

# EC-200

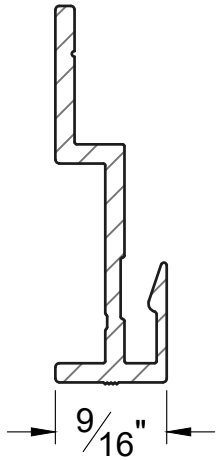
RAIN SCREEN PRESSURE EQUALIZED  
DRY-JOINT SYSTEM



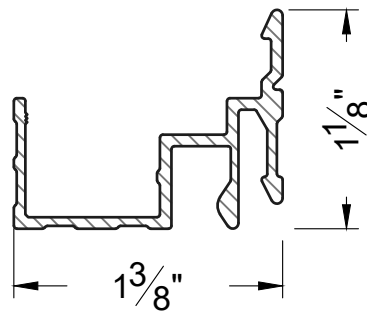
**EAST COAST**  
METAL SYSTEMS

625 Distribution Road  
Triadelphia, WV 26059  
(800) 345-6755  
(304) 909-4242 Fax  
www.ecmsinc.net  
ecms@ecmsinc.net

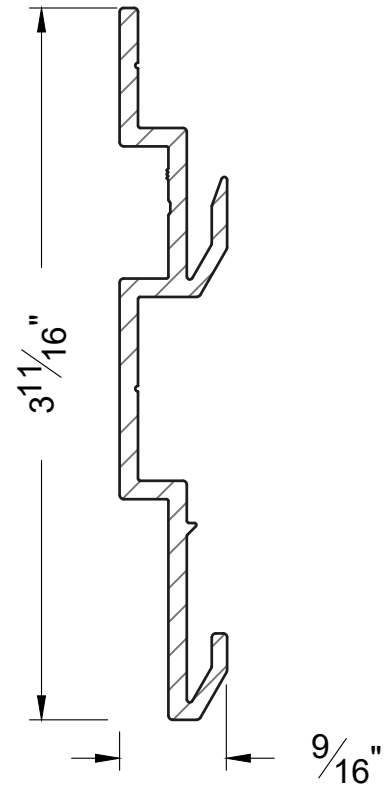
## ATTACHMENT EXTRUSIONS



EC-201 EXTRUSION  
(STARTER STRIP)



EC-202  
PANEL EXTRUSION



EC-203  
BASE EXTRUSION

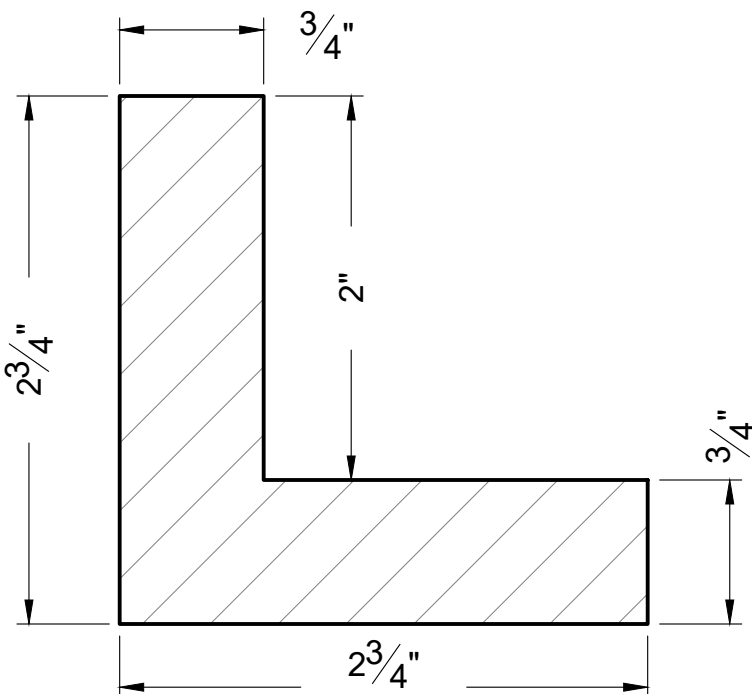
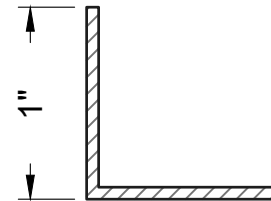


PLATE PANEL RETURN REINFORCEMENT



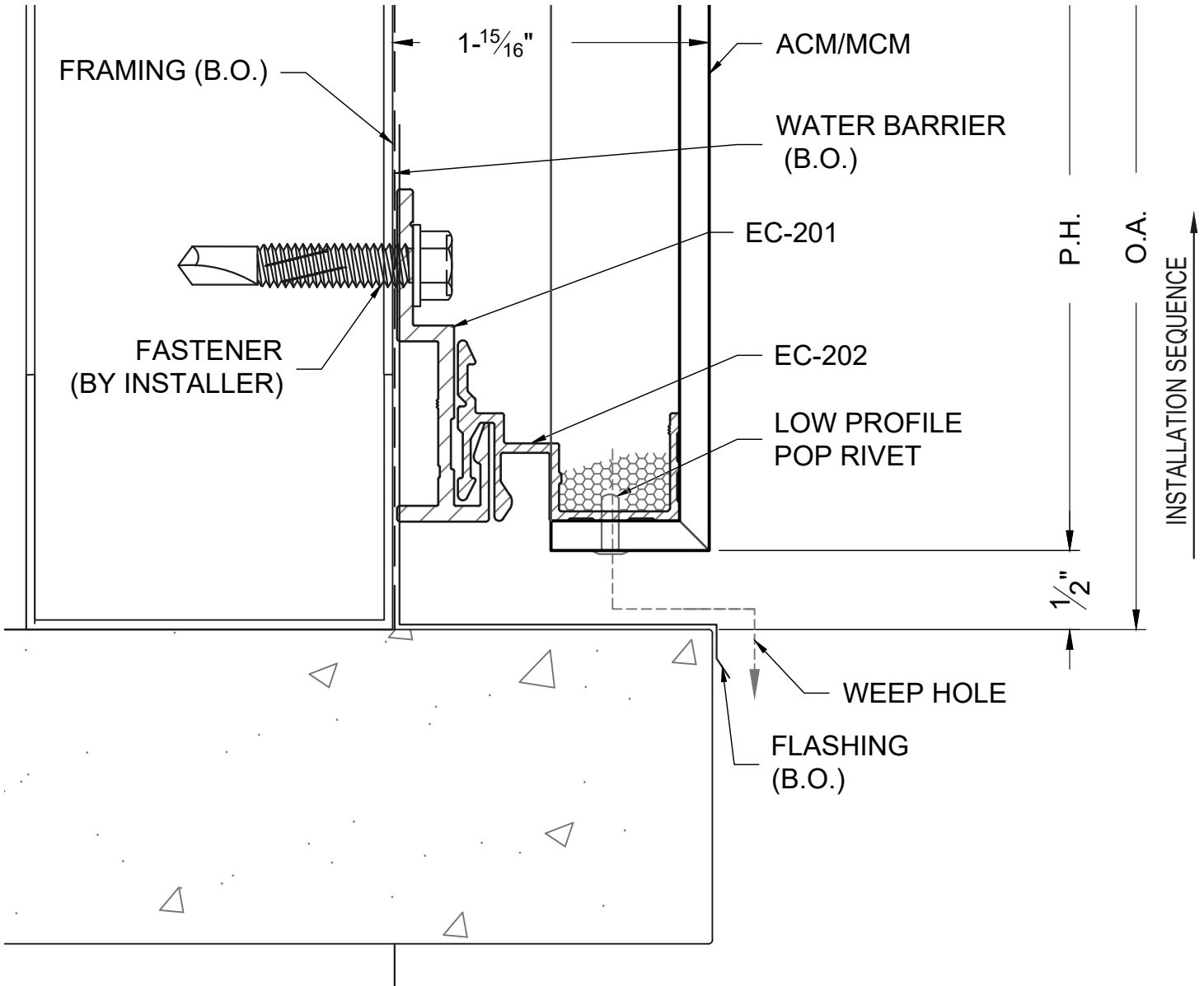
# EC-200

RAIN SCREEN PRESSURE EQUALIZED  
DRY-JOINT SYSTEM



**EAST COAST**  
METAL SYSTEMS

625 Distribution Road  
Triadelphia, WV 26059  
(800) 345-6755  
(304) 909-4242 Fax  
www.ecmsinc.net  
ecms@ecmsinc.net



## SILL CONDITION

1:1

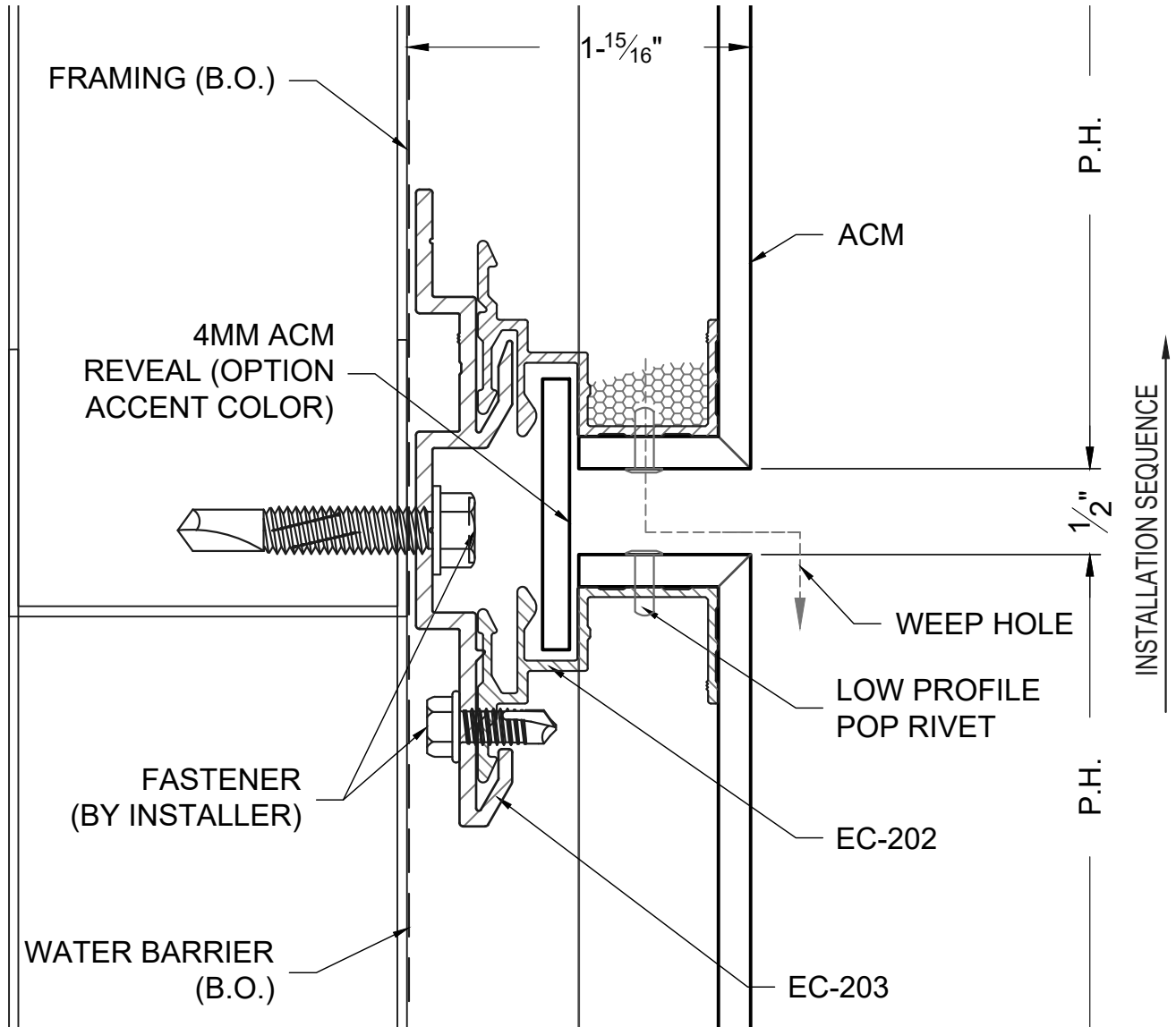
# EC-200

RAIN SCREEN PRESSURE EQUALIZED  
DRY-JOINT SYSTEM



**EAST COAST**  
METAL SYSTEMS

625 Distribution Road  
Triadelphia, WV 26059  
(800) 345-6755  
(304) 909-4242 Fax  
www.ecmsinc.net  
ecms@ecmsinc.net



## HORIZONTAL / VERTICAL JOINT- TYPICAL JOINT

1:1

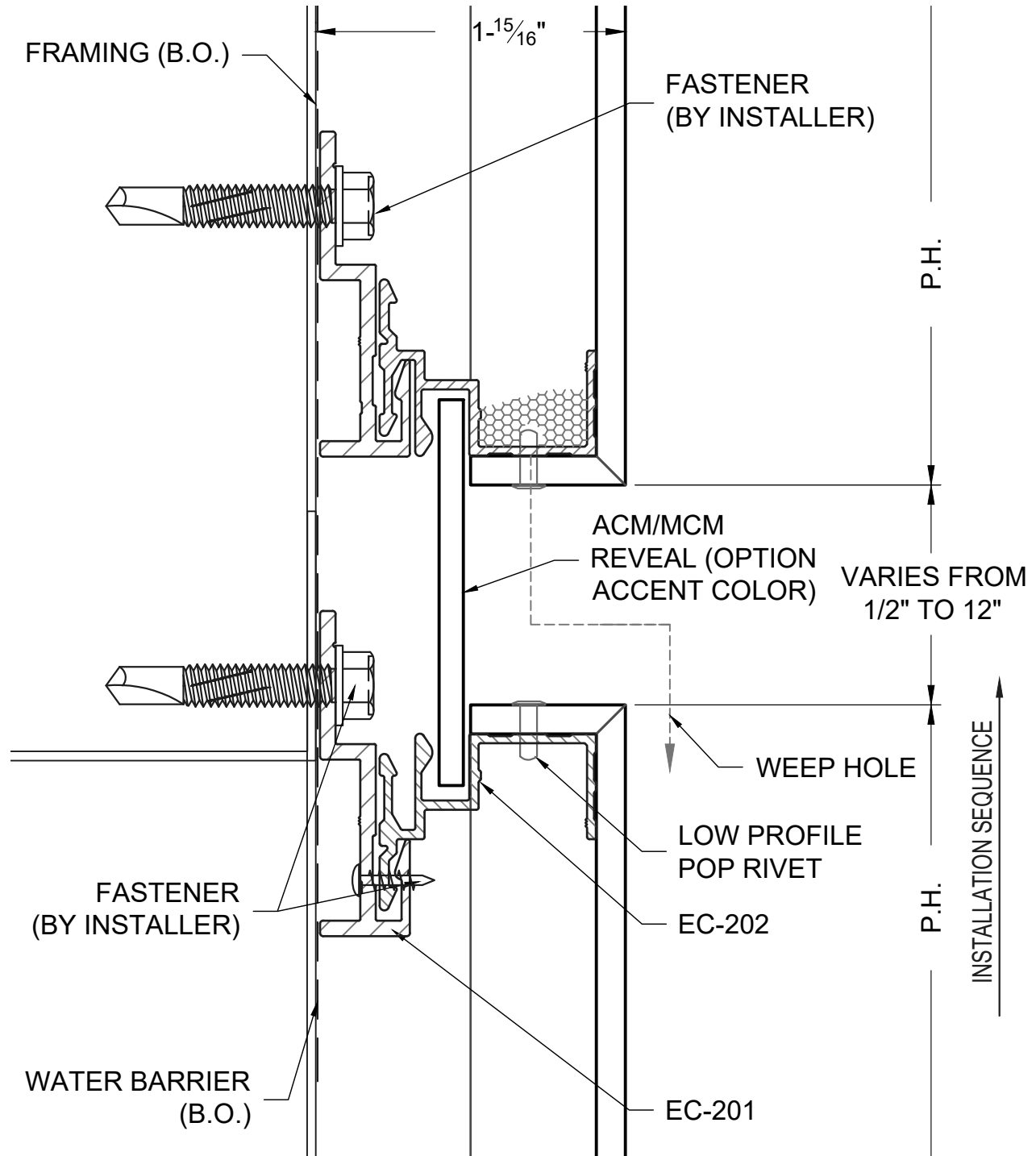
# EC-200

RAIN SCREEN PRESSURE EQUALIZED  
DRY-JOINT SYSTEM



**EAST COAST**  
METAL SYSTEMS

625 Distribution Road  
Triadelphia, WV 26059  
(800) 345-6755  
(304) 909-4242 Fax  
www.ecmsinc.net  
ecms@ecmsinc.net



## HORIZONTAL / VERTICAL JOINT- WIDE JOINT

1:1

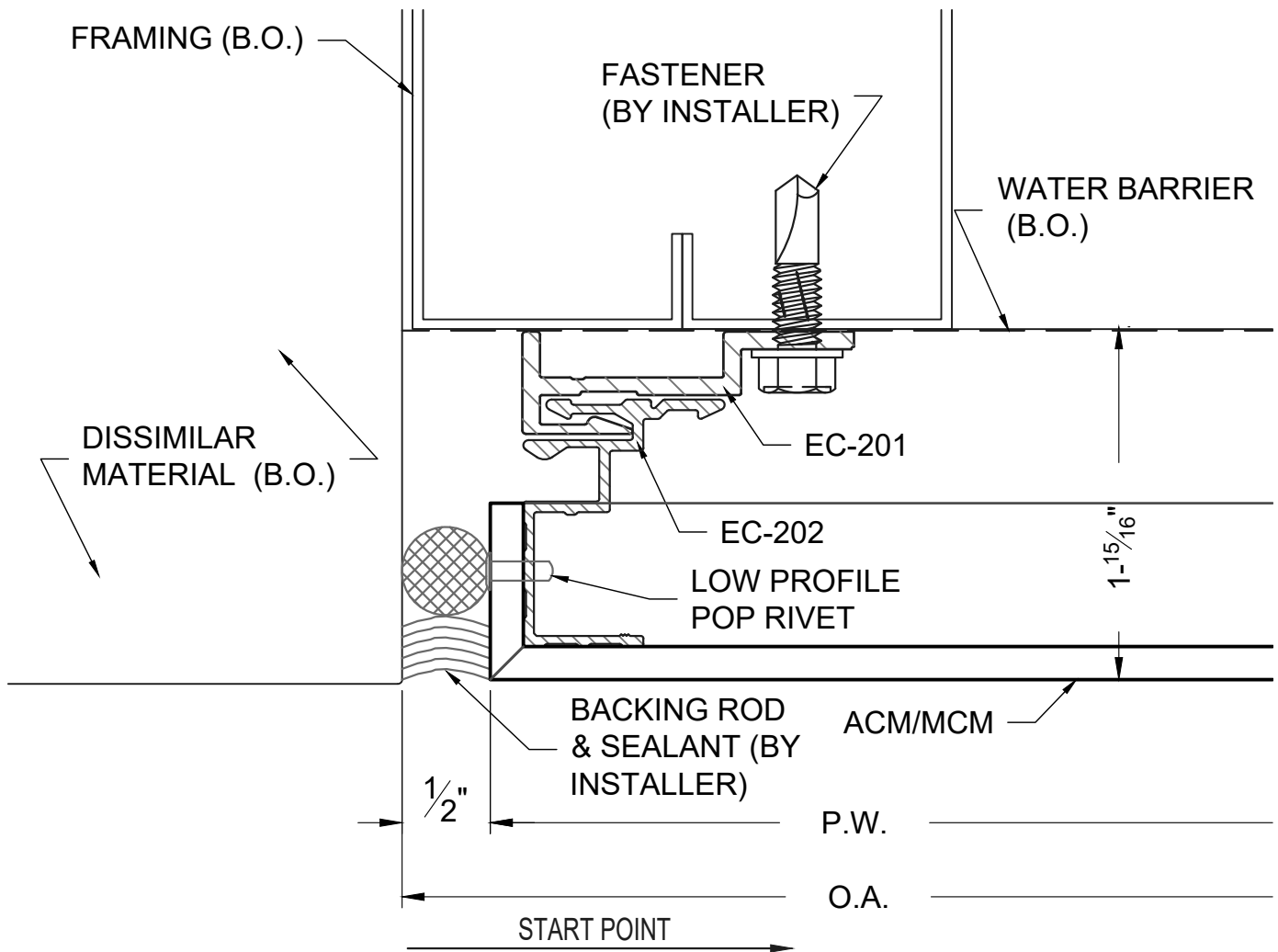
# EC-200

RAIN SCREEN PRESSURE EQUALIZED  
DRY-JOINT SYSTEM



**EAST COAST**  
METAL SYSTEMS

625 Distribution Road  
Triadelphia, WV 26059  
(800) 345-6755  
(304) 909-4242 Fax  
www.ecmsinc.net  
ecms@ecmsinc.net



## START CONDITION

1:1

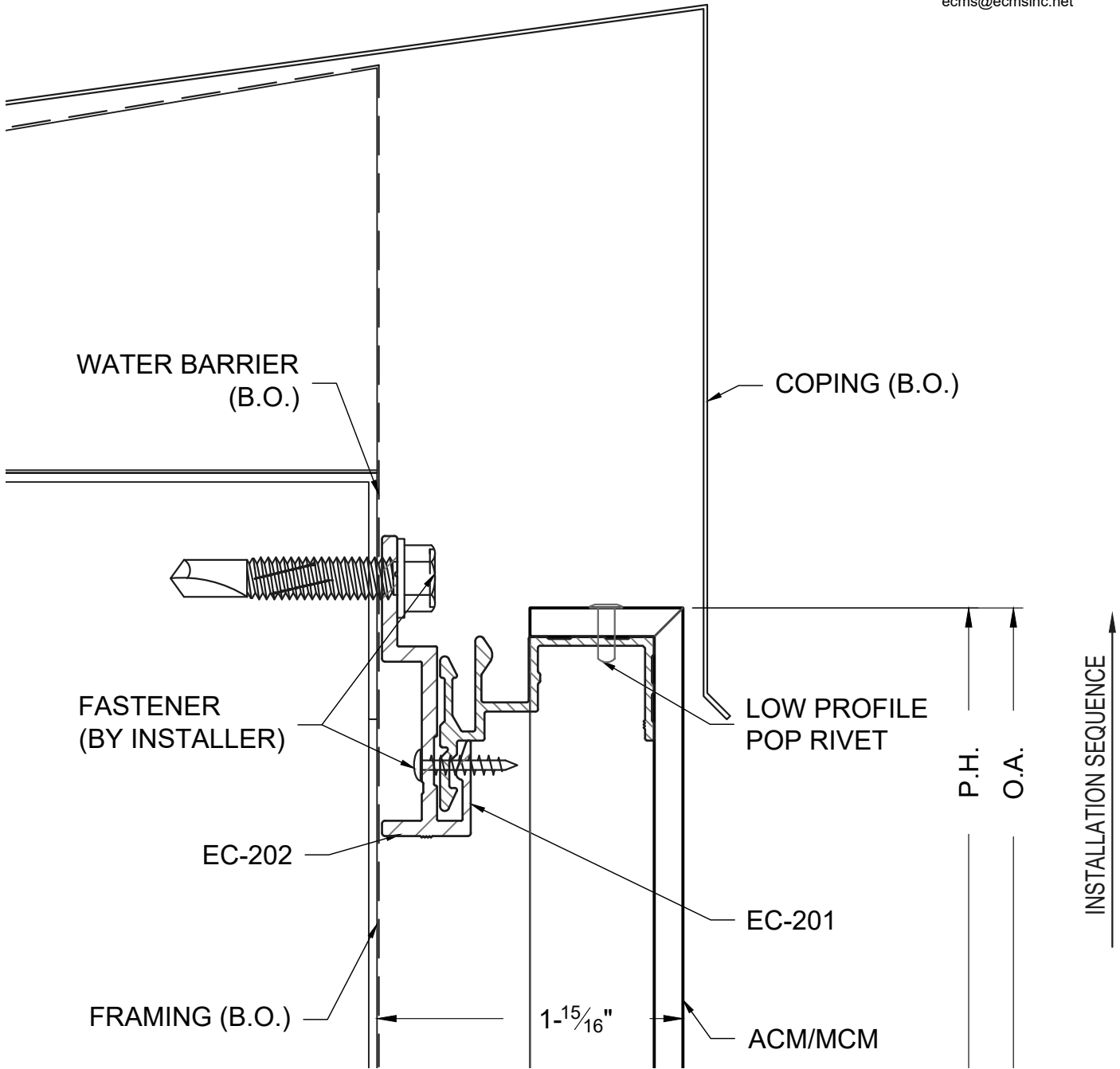
# EC-200

RAIN SCREEN PRESSURE EQUALIZED  
DRY-JOINT SYSTEM



**EAST COAST**  
METAL SYSTEMS

625 Distribution Road  
Triadelphia, WV 26059  
(800) 345-6755  
(304) 909-4242 Fax  
www.ecmsinc.net  
ecms@ecmsinc.net



## PARAPET CONDITION

1:1



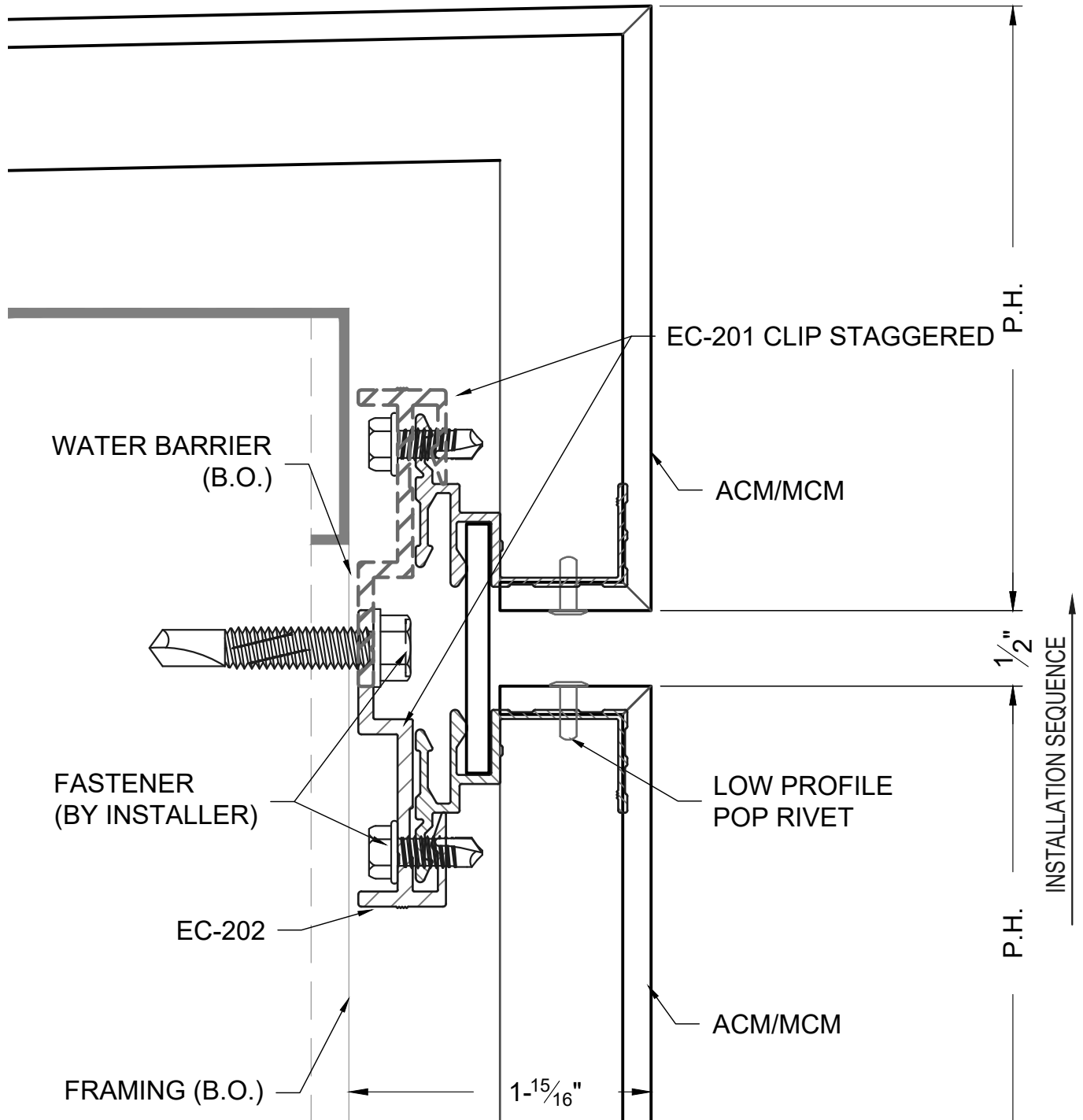
# EC-200

RAIN SCREEN PRESSURE EQUALIZED  
DRY-JOINT SYSTEM



**EAST COAST**  
METAL SYSTEMS

625 Distribution Road  
Triadelphia, WV 26059  
(800) 345-6755  
(304) 909-4242 Fax  
www.ecmsinc.net  
ecms@ecmsinc.net



## COPING CONDITION

1:1

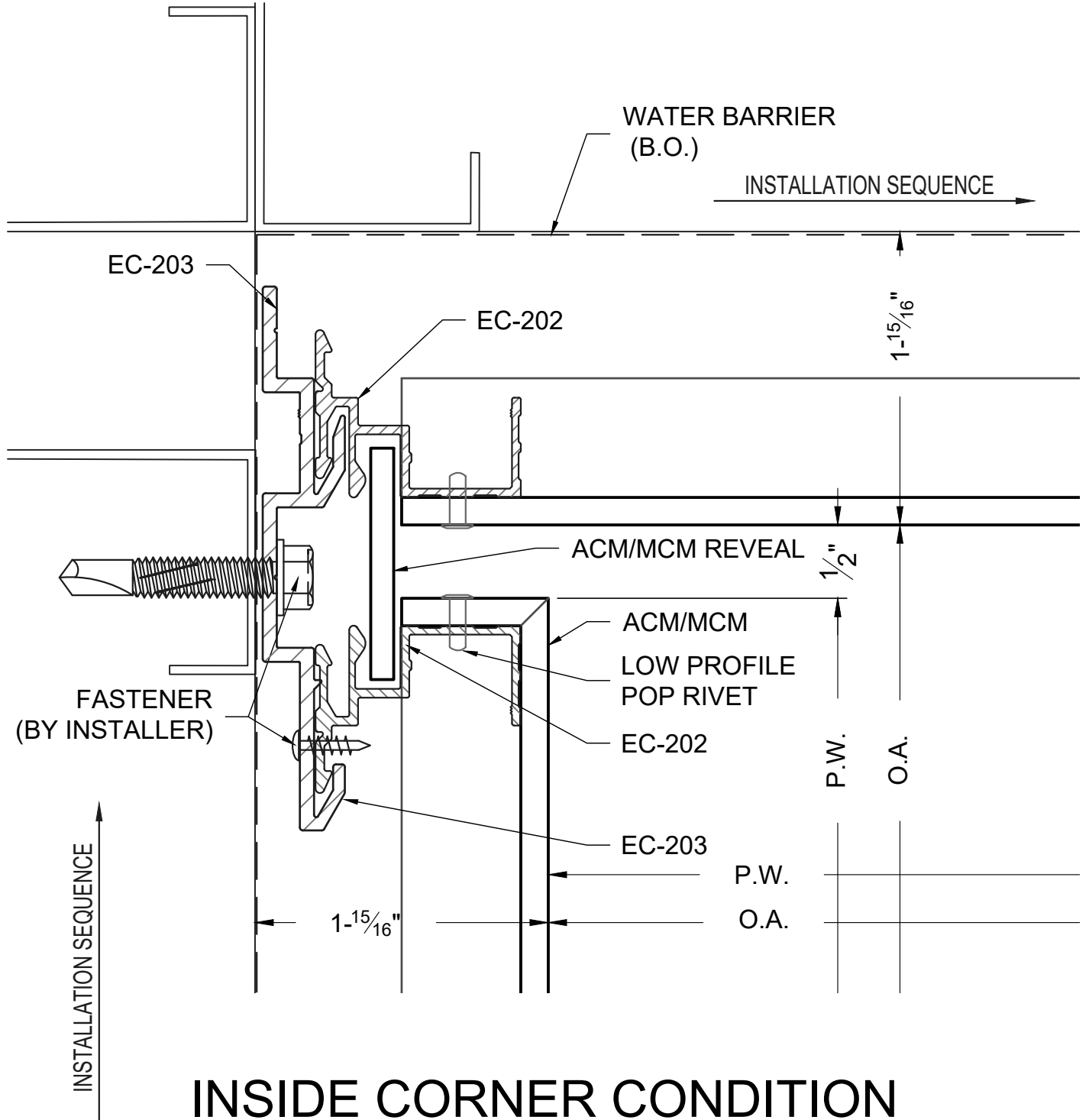
# EC-200

RAIN SCREEN PRESSURE EQUALIZED  
DRY-JOINT SYSTEM



**EAST COAST**  
METAL SYSTEMS

625 Distribution Road  
Triadelphia, WV 26059  
(800) 345-6755  
(304) 909-4242 Fax  
www.ecmsinc.net  
ecms@ecmsinc.net



1:1

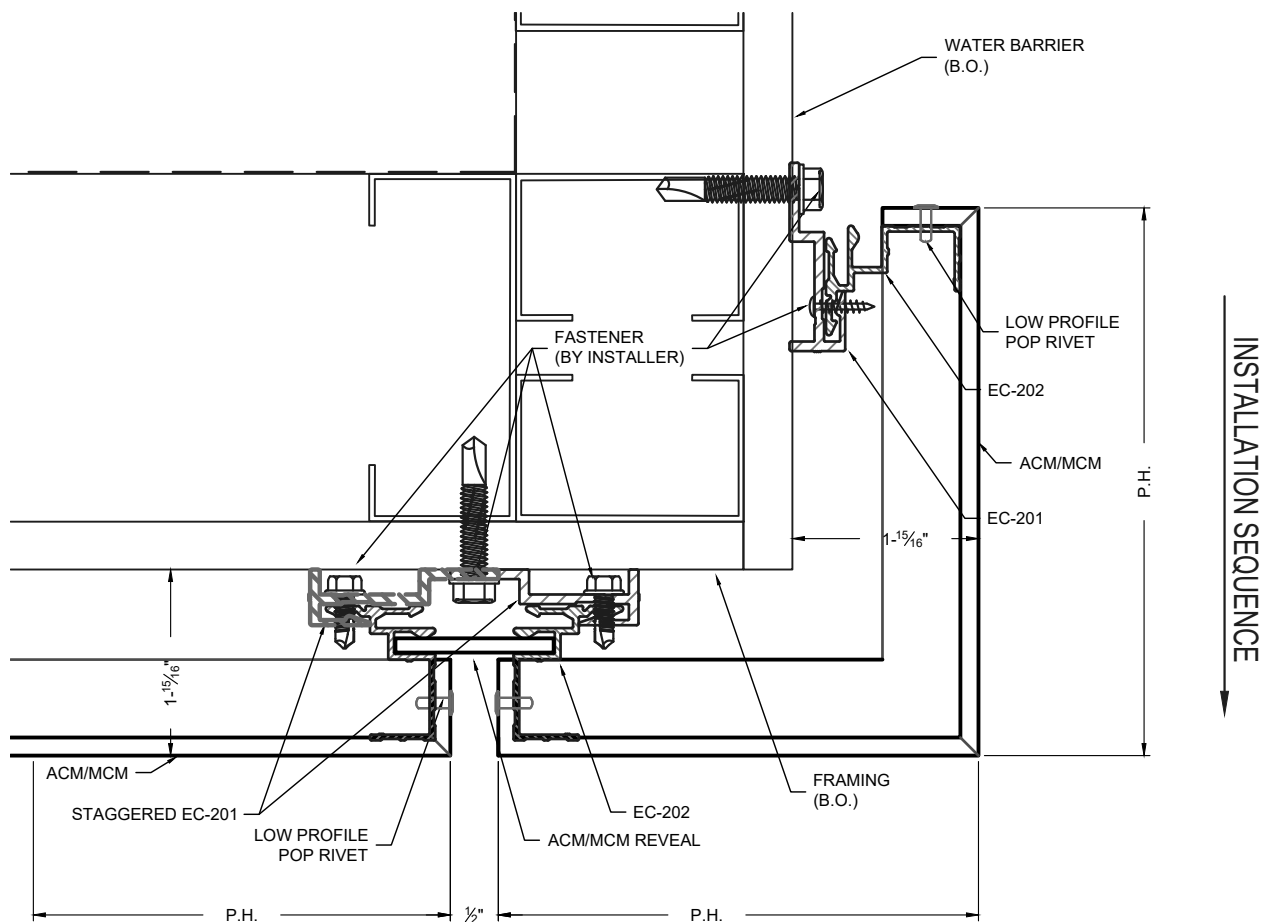
# EC-200

RAIN SCREEN PRESSURE EQUALIZED  
DRY-JOINT SYSTEM



**EAST COAST**  
METAL SYSTEMS

625 Distribution Road  
Triadelphia, WV 26059  
(800) 345-6755  
(304) 909-4242 Fax  
www.ecmsinc.net  
ecms@ecmsinc.net



INSTALLATION SEQUENCE

## SOFFIT CONDITION

1:1

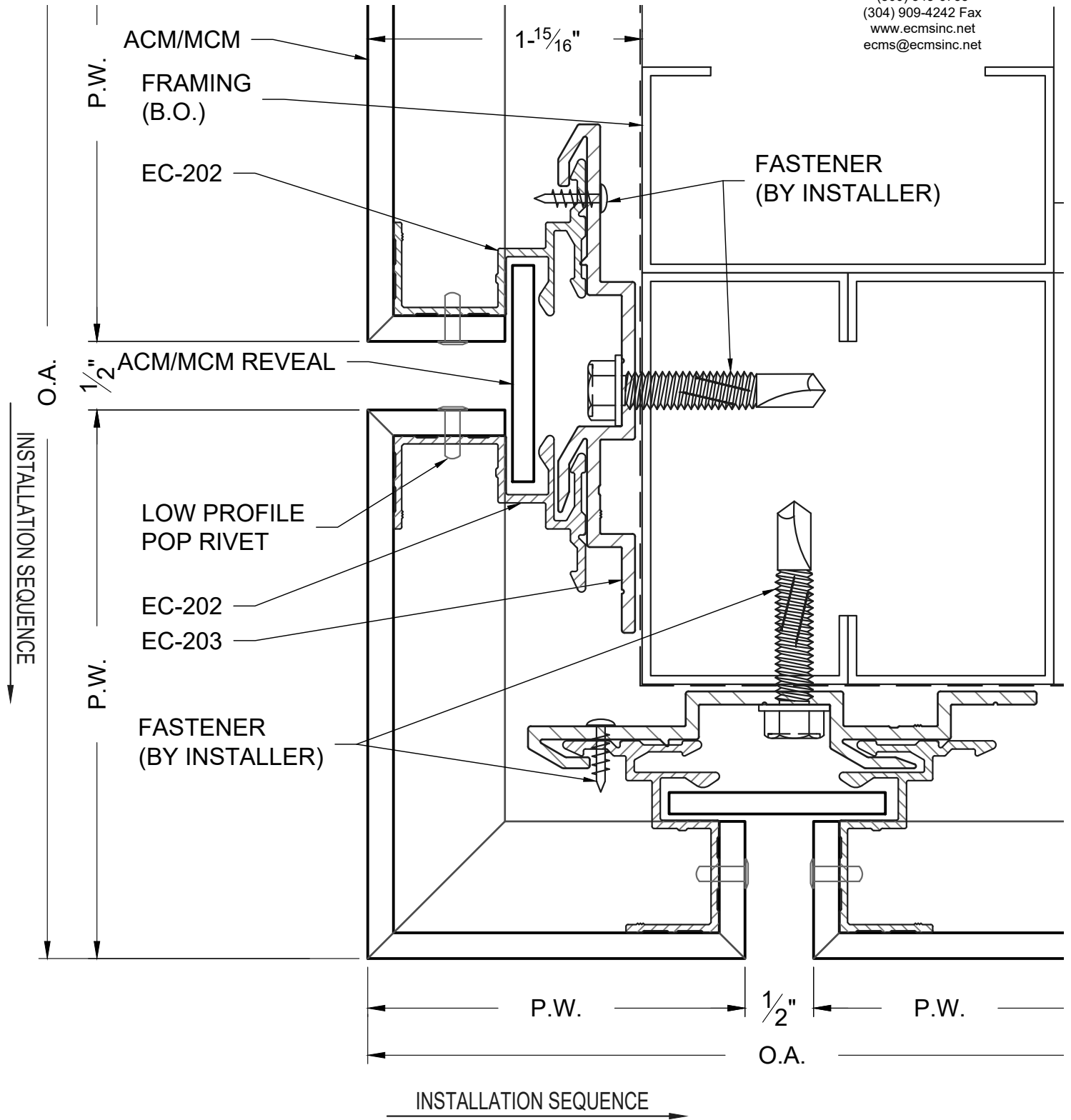
# EC-200

RAIN SCREEN PRESSURE EQUALIZED  
DRY-JOINT SYSTEM



**EAST COAST**  
METAL SYSTEMS

625 Distribution Road  
Triadelphia, WV 26059  
(800) 345-6755  
(304) 909-4242 Fax  
www.ecmsinc.net  
ecms@ecmsinc.net



## OUTSIDE CORNER

1:1

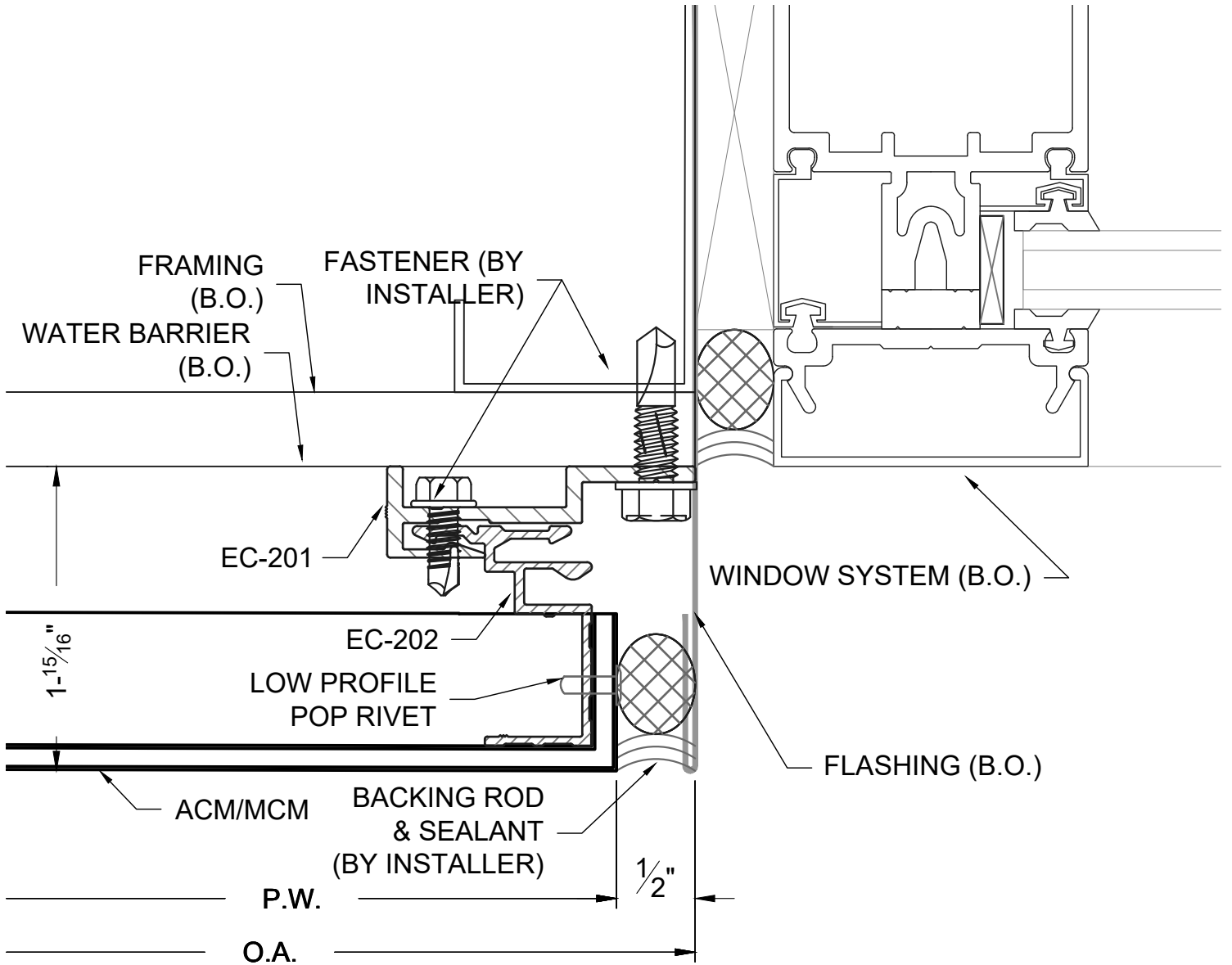
# EC-200

RAIN SCREEN PRESSURE EQUALIZED  
DRY-JOINT SYSTEM



**EAST COAST**  
METAL SYSTEMS

625 Distribution Road  
Triadelphia, WV 26059  
(800) 345-6755  
(304) 909-4242 Fax  
www.ecmsinc.net  
ecms@ecmsinc.net



## WINDOW CONDITION

1:1

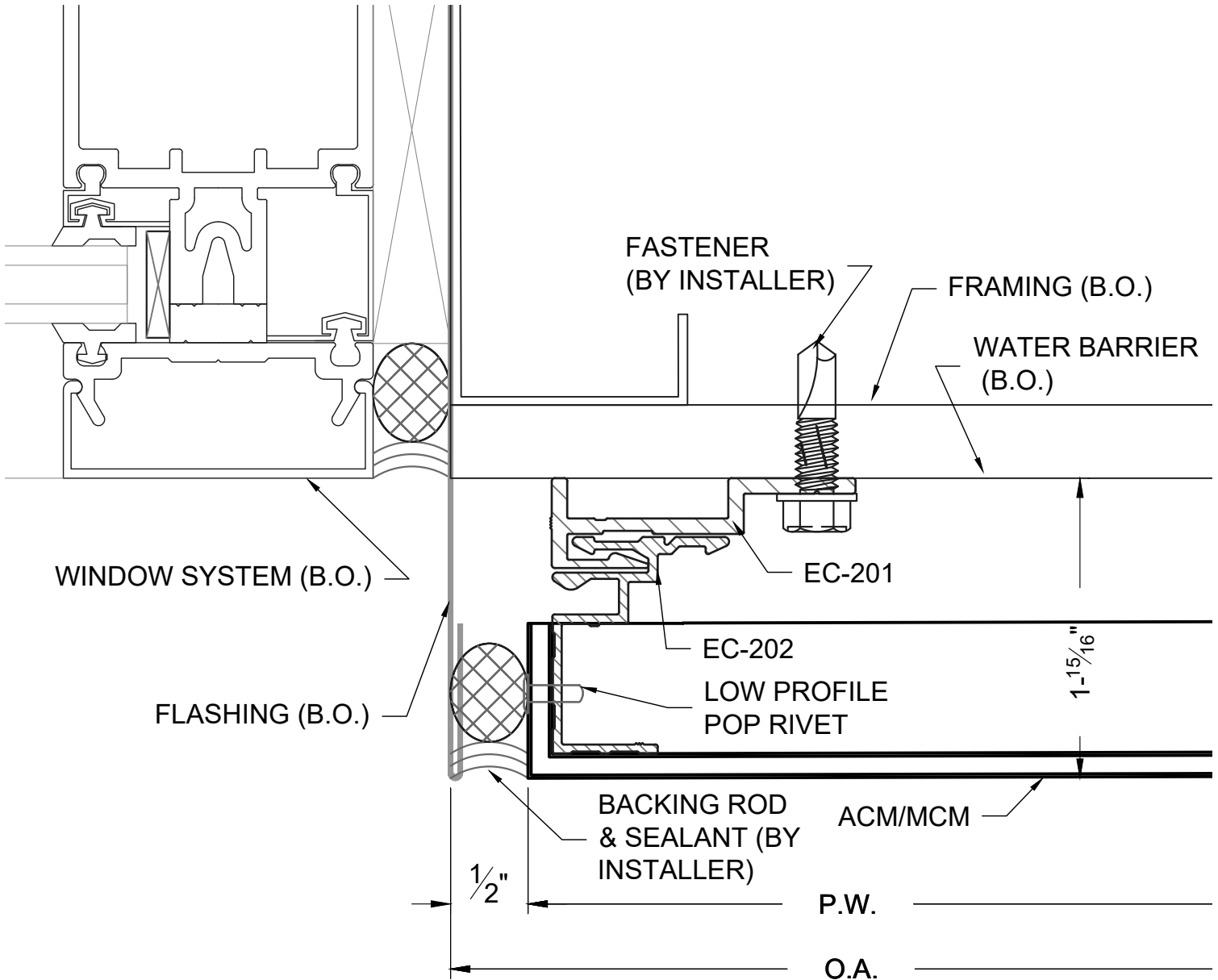
# EC-200

RAIN SCREEN PRESSURE EQUALIZED  
DRY-JOINT SYSTEM



**EAST COAST**  
METAL SYSTEMS

625 Distribution Road  
Triadelphia, WV 26059  
(800) 345-6755  
(304) 909-4242 Fax  
www.ecmsinc.net  
ecms@ecmsinc.net



## WINDOW CONDITION

1:1

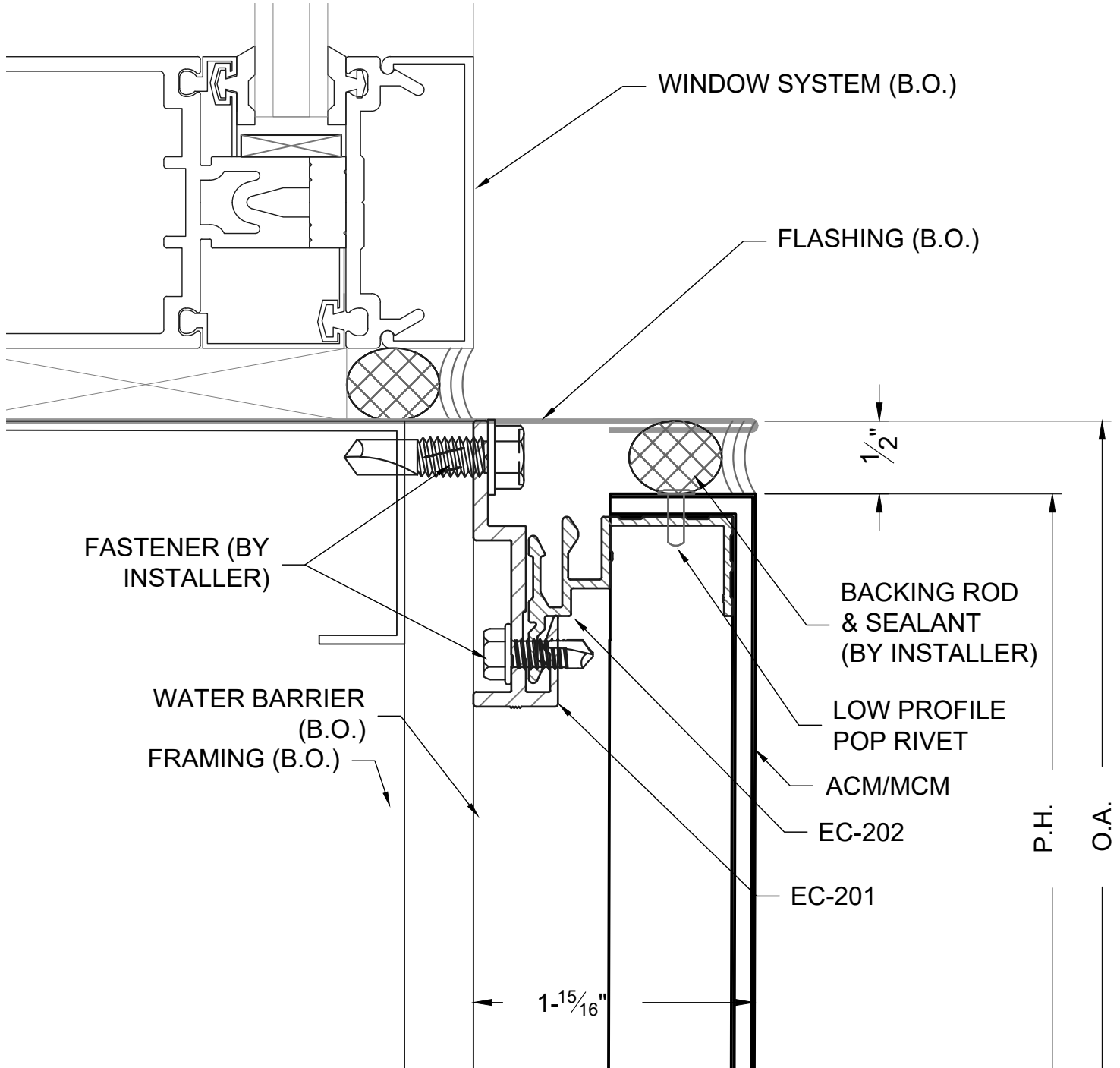
# EC-200

RAIN SCREEN PRESSURE EQUALIZED  
DRY-JOINT SYSTEM



**EAST COAST**  
METAL SYSTEMS

625 Distribution Road  
Triadelphia, WV 26059  
(800) 345-6755  
(304) 909-4242 Fax  
www.ecmsinc.net  
ecms@ecmsinc.net



## WINDOW SILL CONDITION

1:1

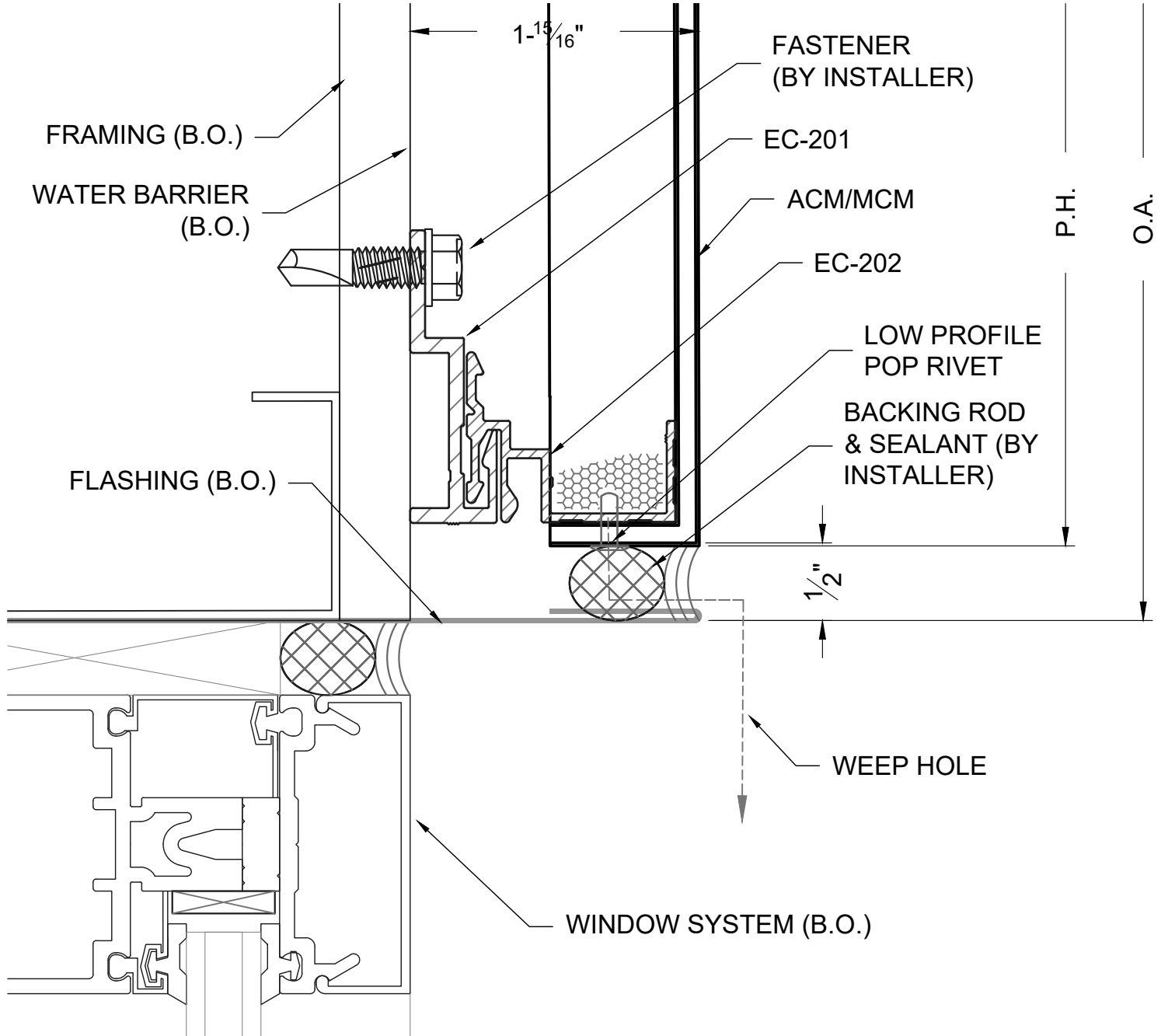
# EC-200

RAIN SCREEN PRESSURE EQUALIZED  
DRY-JOINT SYSTEM



**EAST COAST**  
METAL SYSTEMS

625 Distribution Road  
Triadelphia, WV 26059  
(800) 345-6755  
(304) 909-4242 Fax  
www.ecmsinc.net  
ecms@ecmsinc.net



## WINDOW HEAD CONDITION

1:1



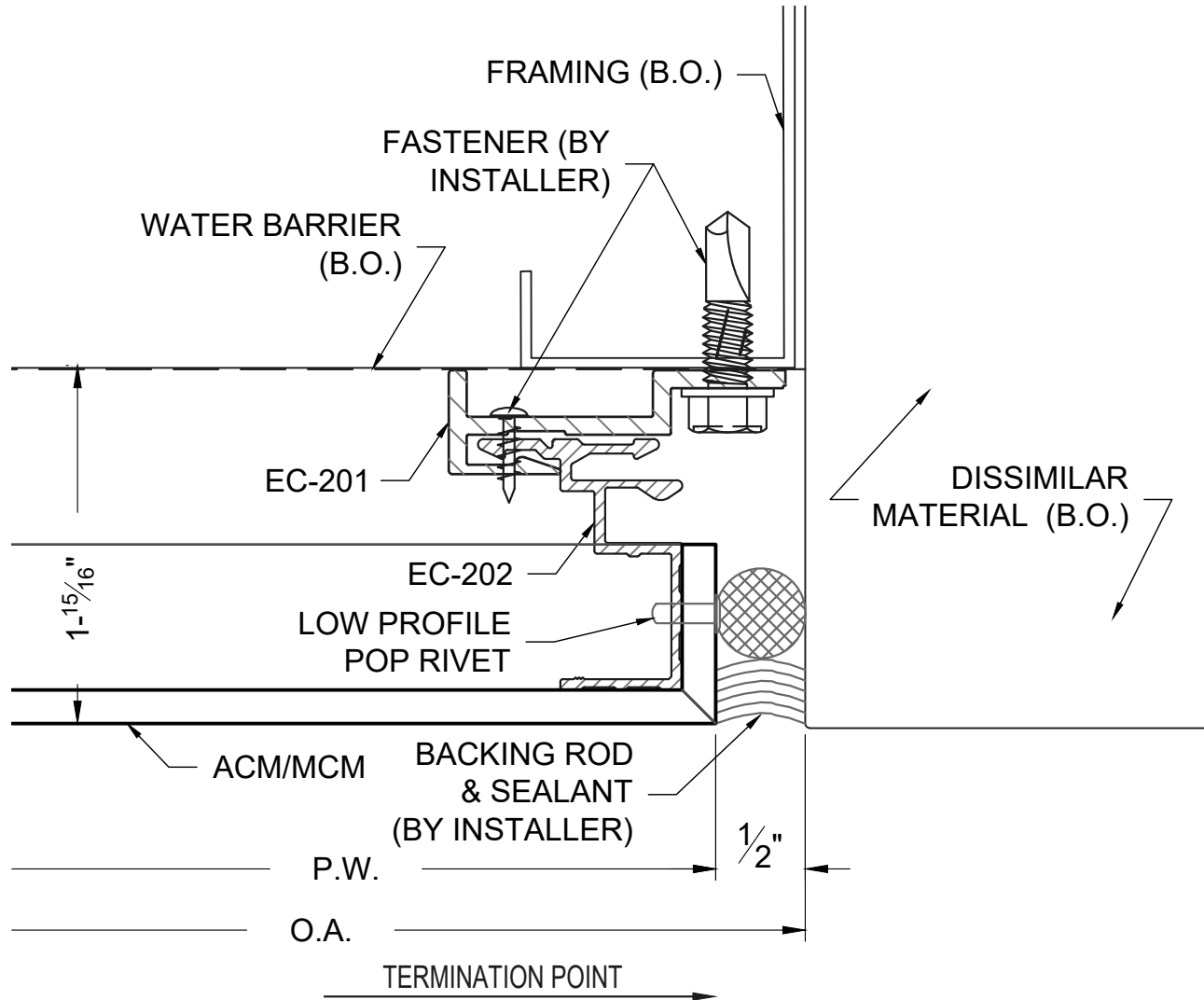
# EC-200

RAIN SCREEN PRESSURE EQUALIZED  
DRY-JOINT SYSTEM



**EAST COAST**  
METAL SYSTEMS

625 Distribution Road  
Triadelphia, WV 26059  
(800) 345-6755  
(304) 909-4242 Fax  
www.ecmsinc.net  
ecms@ecmsinc.net



## TERMINATION CONDITION

1:1

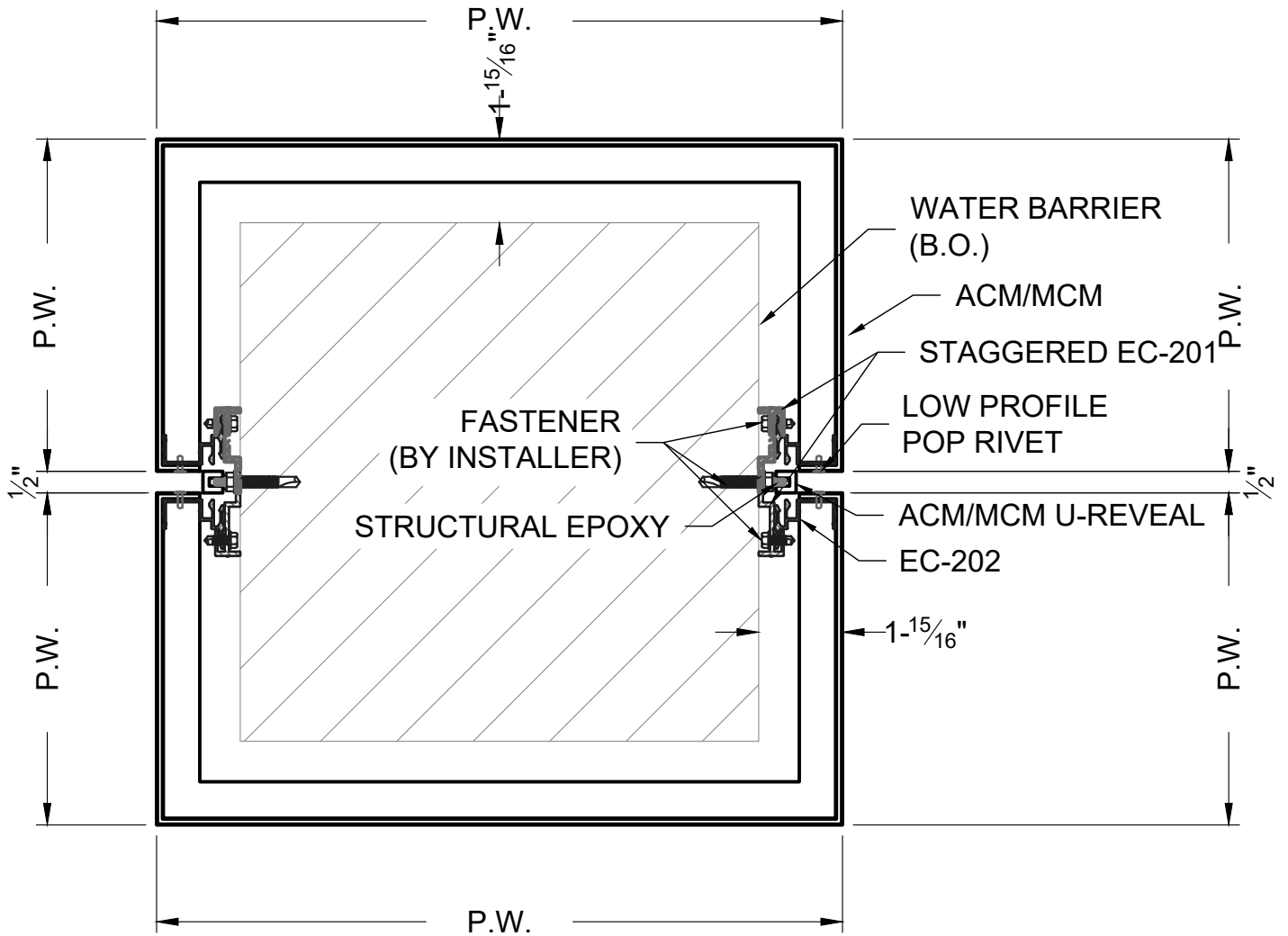
# EC-200

RAIN SCREEN PRESSURE EQUALIZED  
DRY-JOINT SYSTEM



**EAST COAST**  
METAL SYSTEMS

625 Distribution Road  
Triadelphia, WV 26059  
(800) 345-6755  
(304) 909-4242 Fax  
www.ecmsinc.net  
ecms@ecmsinc.net



## COLUMN CONDITION

3":1'-0"

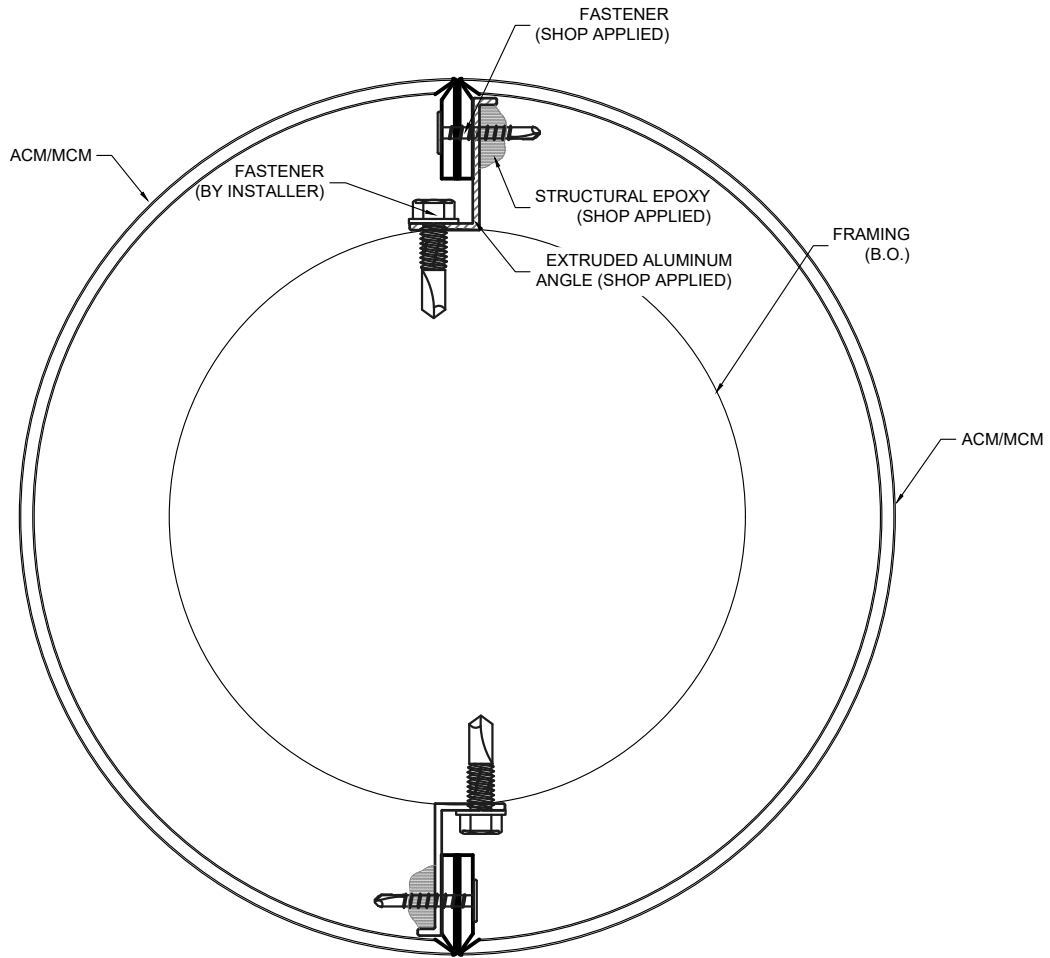
# EC-200

RAIN SCREEN PRESSURE EQUALIZED  
DRY-JOINT SYSTEM



**EAST COAST**  
METAL SYSTEMS

625 Distribution Road  
Triadelphia, WV 26059  
(800) 345-6755  
(304) 909-4242 Fax  
www.ecmsinc.net  
ecms@ecmsinc.net



## COLUMN CONDITION

6":1'-0"

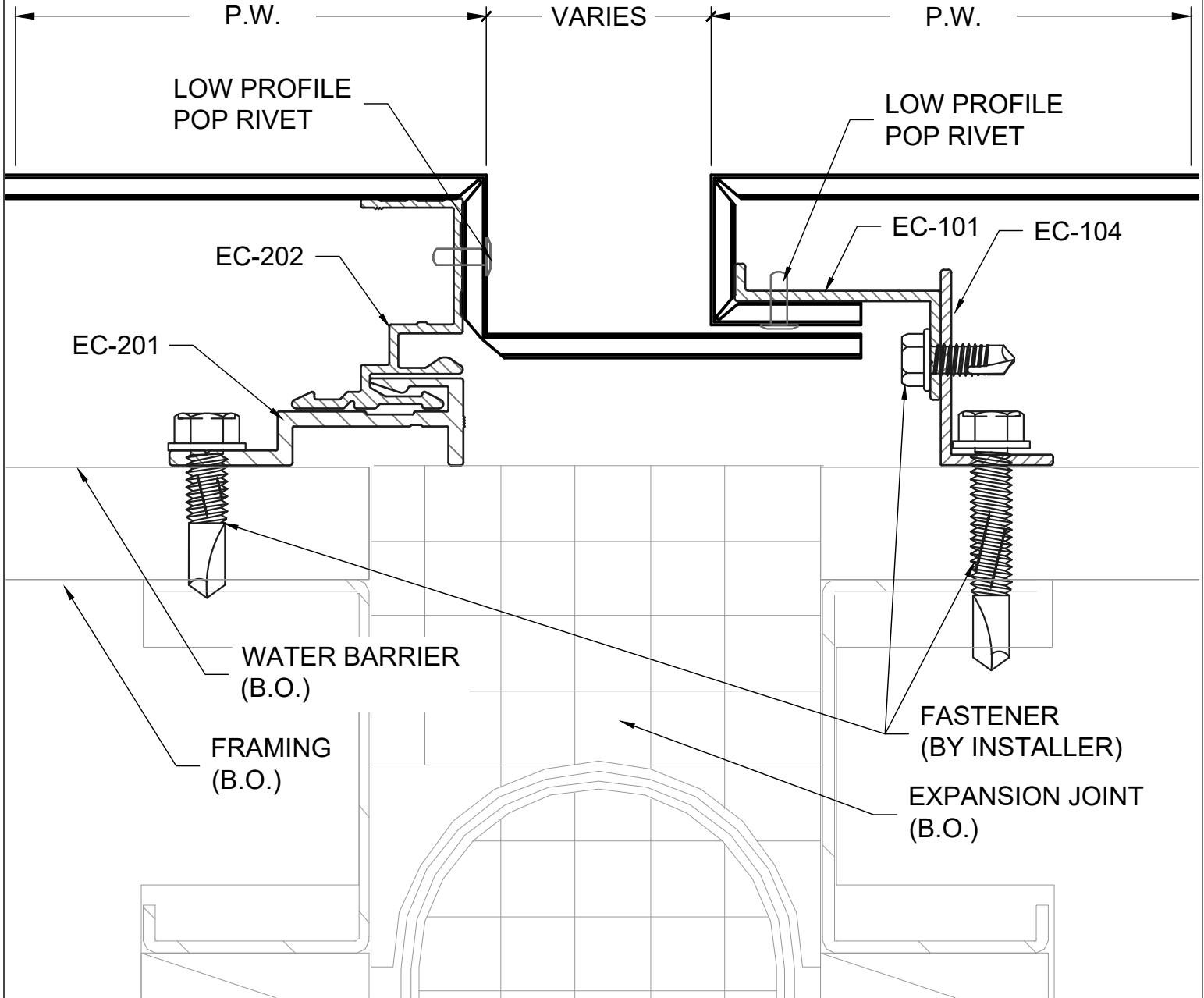
# EC-200

RAIN SCREEN PRESSURE EQUALIZED  
DRY-JOINT SYSTEM



**EAST COAST**  
METAL SYSTEMS

625 Distribution Road  
Triadelphia, WV 26059  
(800) 345-6755  
(304) 909-4242 Fax  
www.ecmsinc.net  
ecms@ecmsinc.net



## EXPANSION JOINT

1:1