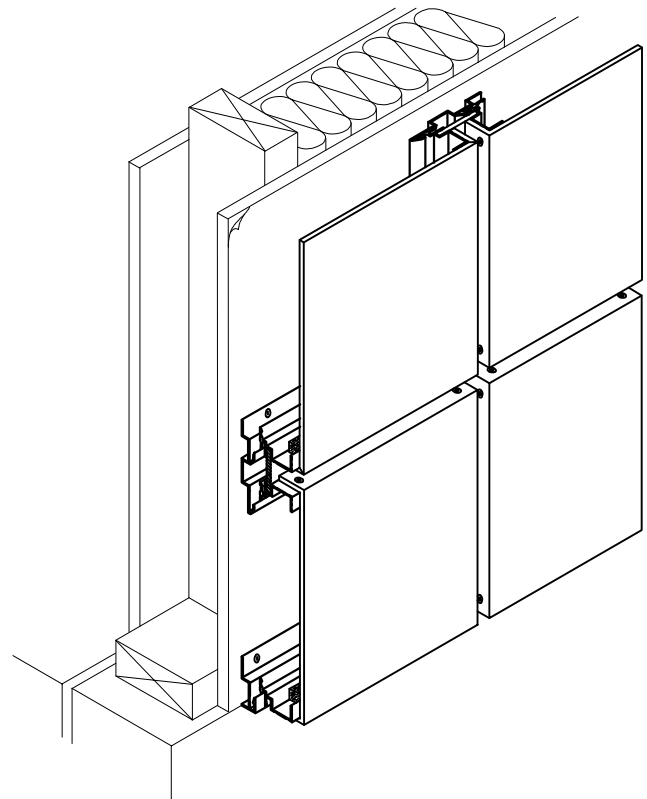
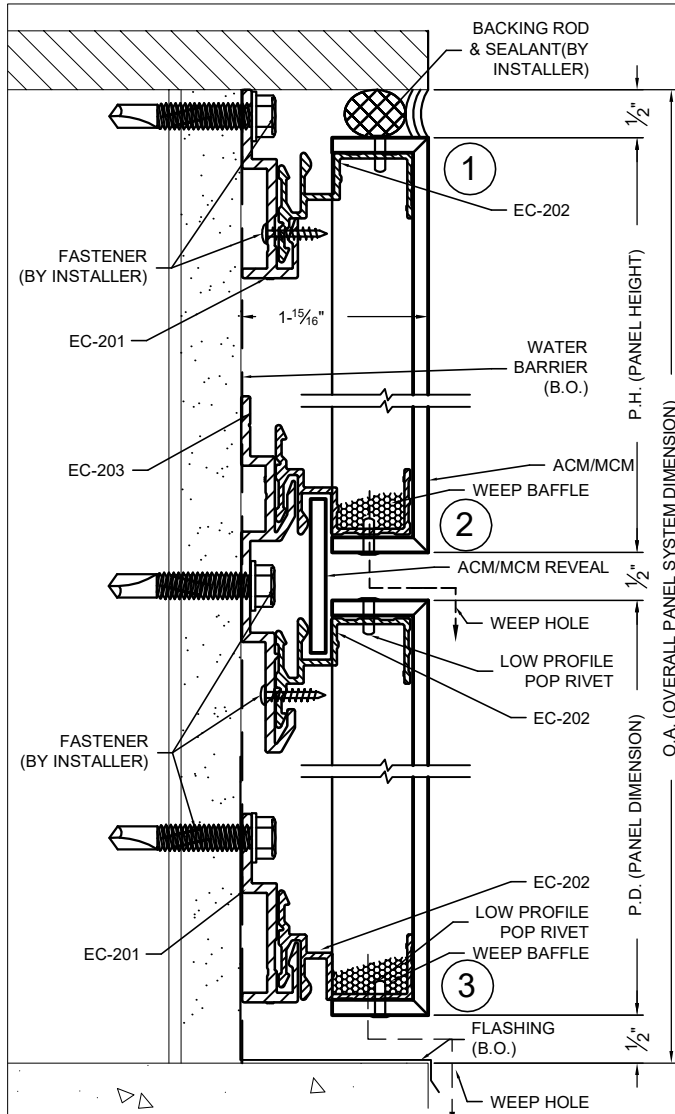


EC-200

RAIN SCREEN PRESSURE EQUALIZED
DRY-JOINT SYSTEM



- ① TYPICAL HEAD DETAIL
- ② TYPICAL HORIZONTAL/VERTICAL JOINT
- ③ TYPICAL BASE JOINT

EC-200 PANEL SYSTEM - ISOMETRIC

EC-200 Dry Joint System

The EC-200 Metal Composite AAMA 508-07 System allows minimal water penetration. The minimal amount of water that does penetrate the system drains through weep holes. This system utilizes full length extrusions with 6" clips. The EC-200 utilizes a "floating" panel attached to the extrusion to provide a reveal of 1/2" to 12". The system requires no caulking with the exception of joints at perimeter edges where required. The EC-200 provides a hi-tech, clean look and is easy to install.

The EC-200 System is compatible with 4mm, 6mm, & 8mm ACM Panels.

EC-200

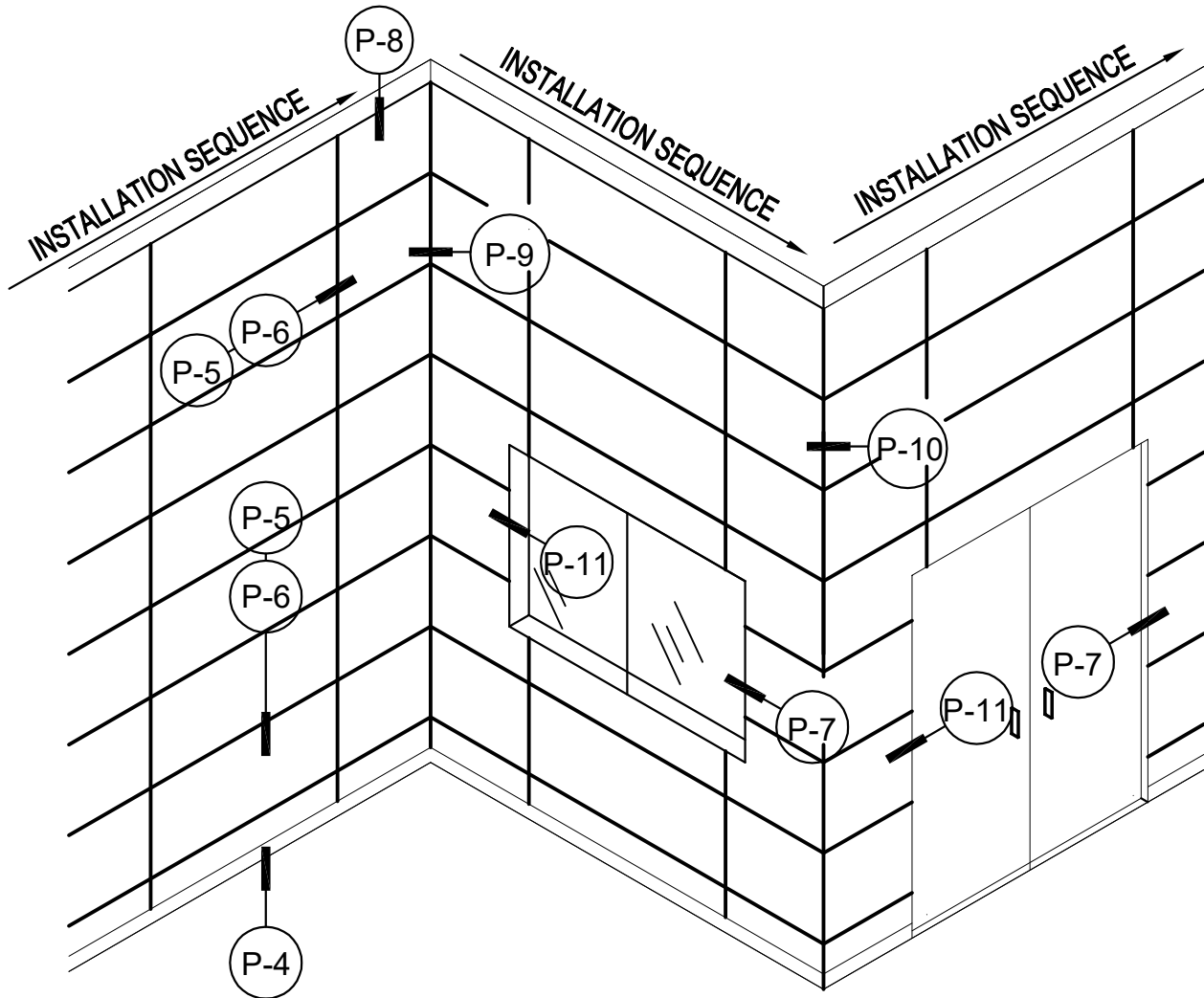
RAIN SCREEN PRESSURE EQUALIZED
DRY-JOINT SYSTEM



East Coast Metal Systems, Inc
625 Distribution Road
Triadelphia, WV 26059
www.ecmsinc.net

P: (304) 909-4220 F: (304) 909 4242

EC-200 COMPOSITE PANEL SYSTEM



ABBREVIATIONS

ACM/MCM = ALUM. OR METAL
COMPOSITE MATERIAL

B.O. = BY OTHERS

O.A. = OVERALL PANEL
SYSTEM DIMENSION

P.D. = PANEL DIMENSION

P.H. = PANEL HEIGHT

P.W. = PANEL WIDTH

INDEX

(P-2): SYSTEM OVERVIEW

(P-3): EXTRUSIONS

(P-4) - (P-11): SYSTEM DETAILS

EC-200

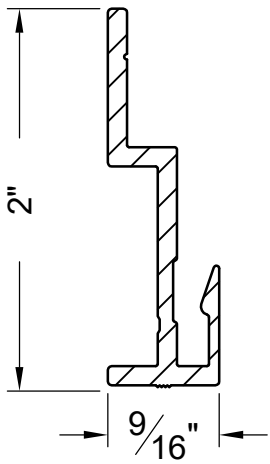
RAIN SCREEN PRESSURE EQUALIZED
DRY-JOINT SYSTEM



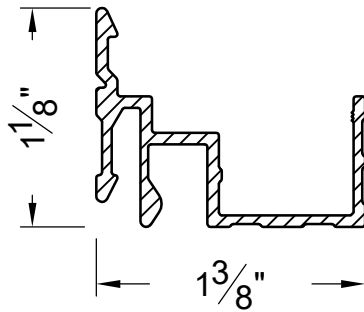
East Coast Metal Systems, Inc
625 Distribution Road
Triadelphia, WV 26059
www.ecmsinc.net

P: (304) 909-4220 F: (304) 909 4242

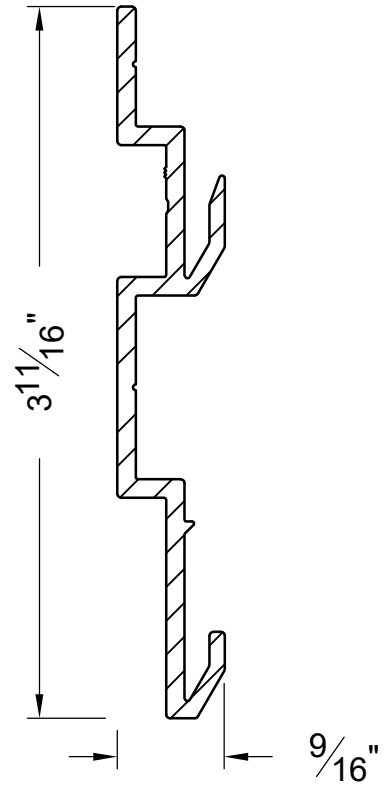
ATTACHMENT EXTRUSIONS



EC-201 EXTRUSION
(STARTER STRIP)



EC-202
PANEL EXTRUSION



EC-203
1/2" JOINT CLIP

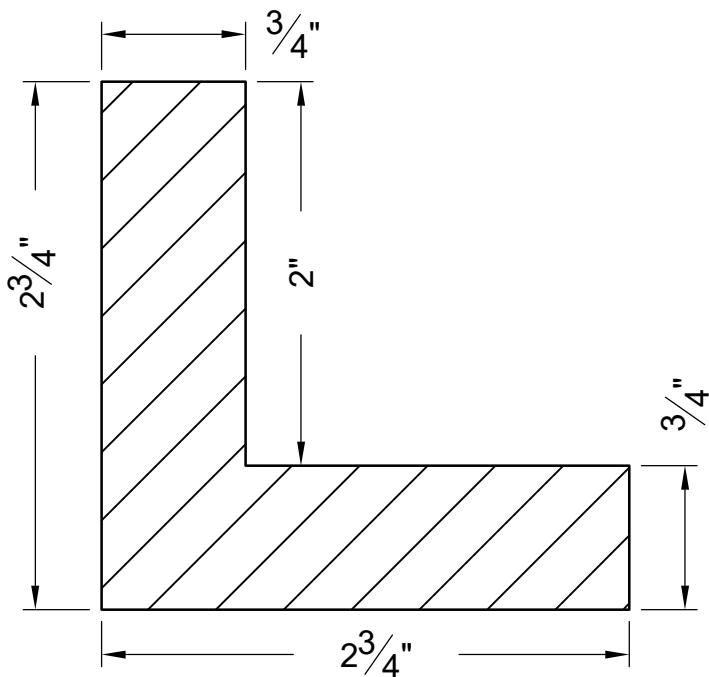


PLATE PANEL RETURN REINFORCEMENT

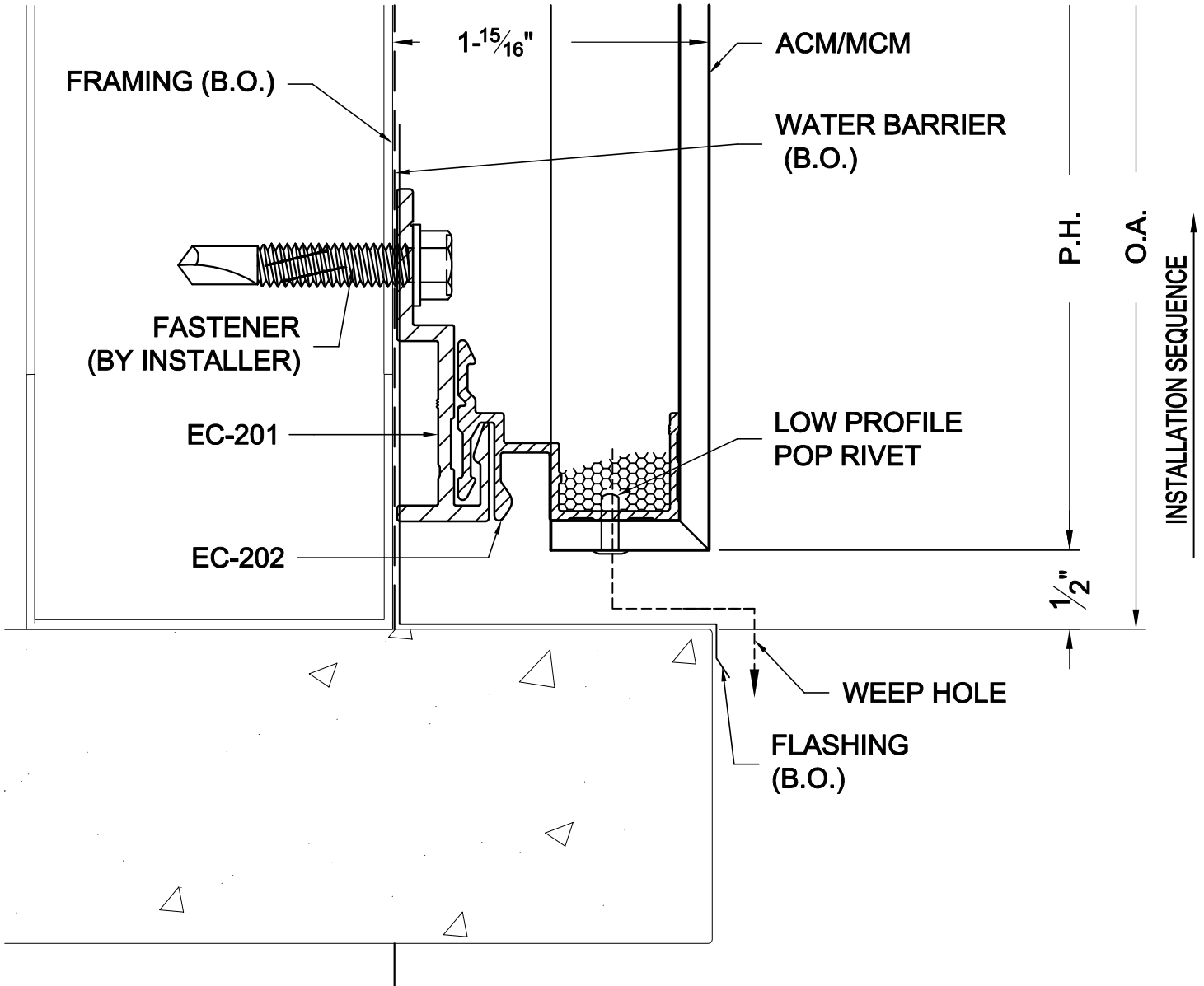
EC-200

RAIN SCREEN PRESSURE EQUALIZED
DRY-JOINT SYSTEM



East Coast Metal Systems, Inc
625 Distribution Road
Triadelphia, WV 26059
www.ecmsinc.net

P: (304) 909-4220 F: (304) 909 4242



SILL CONDITION

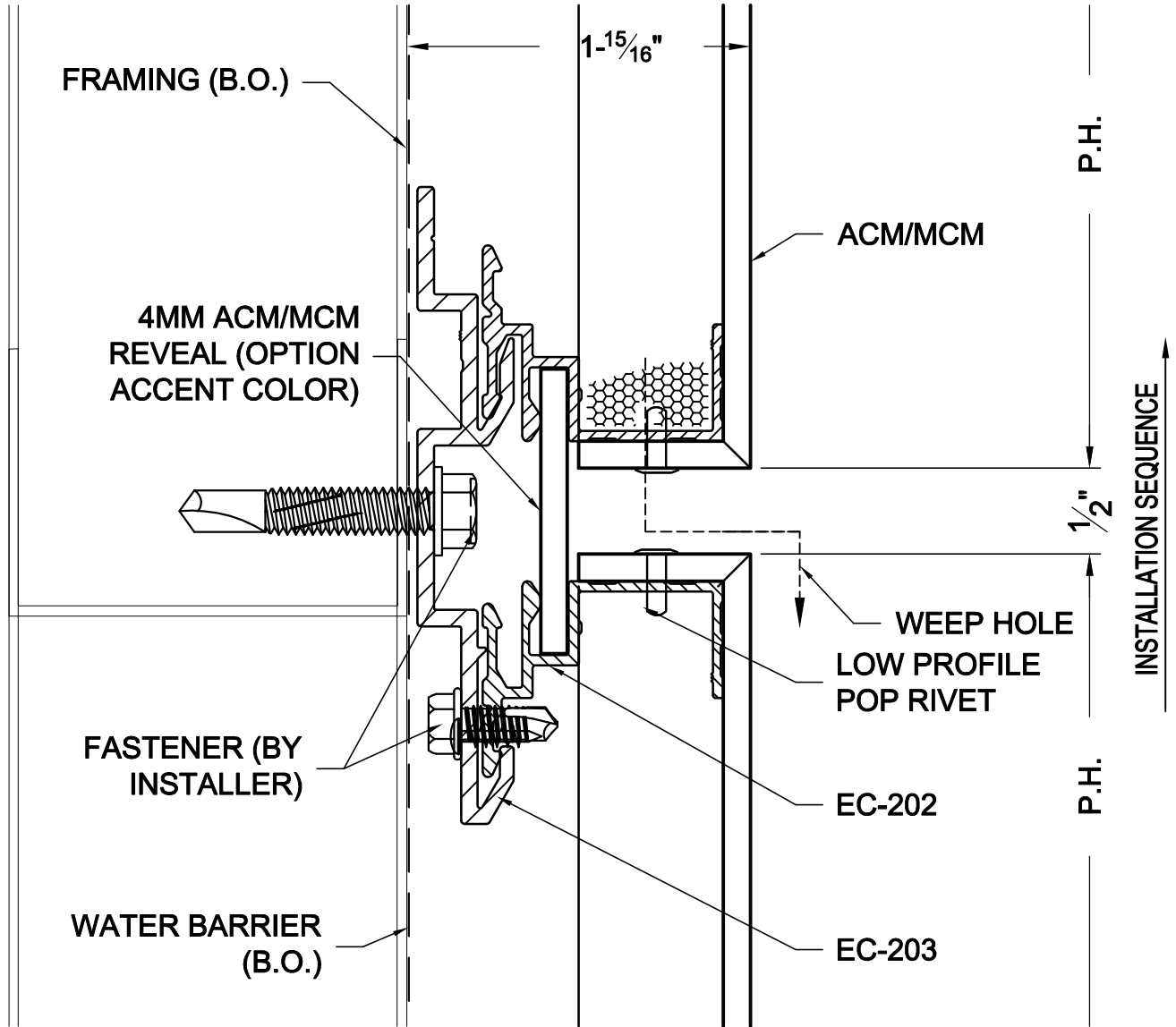
1:1

EC-200

RAIN SCREEN PRESSURE EQUALIZED
DRY-JOINT SYSTEM



East Coast Metal Systems, Inc
625 Distribution Road
Triadelphia, WV 26059
www.ecmsinc.net
P: (304) 909-4220 F: (304) 909 4242



HORIZONTAL / VERTICAL JOINT- TYPICAL JOINT

1:1

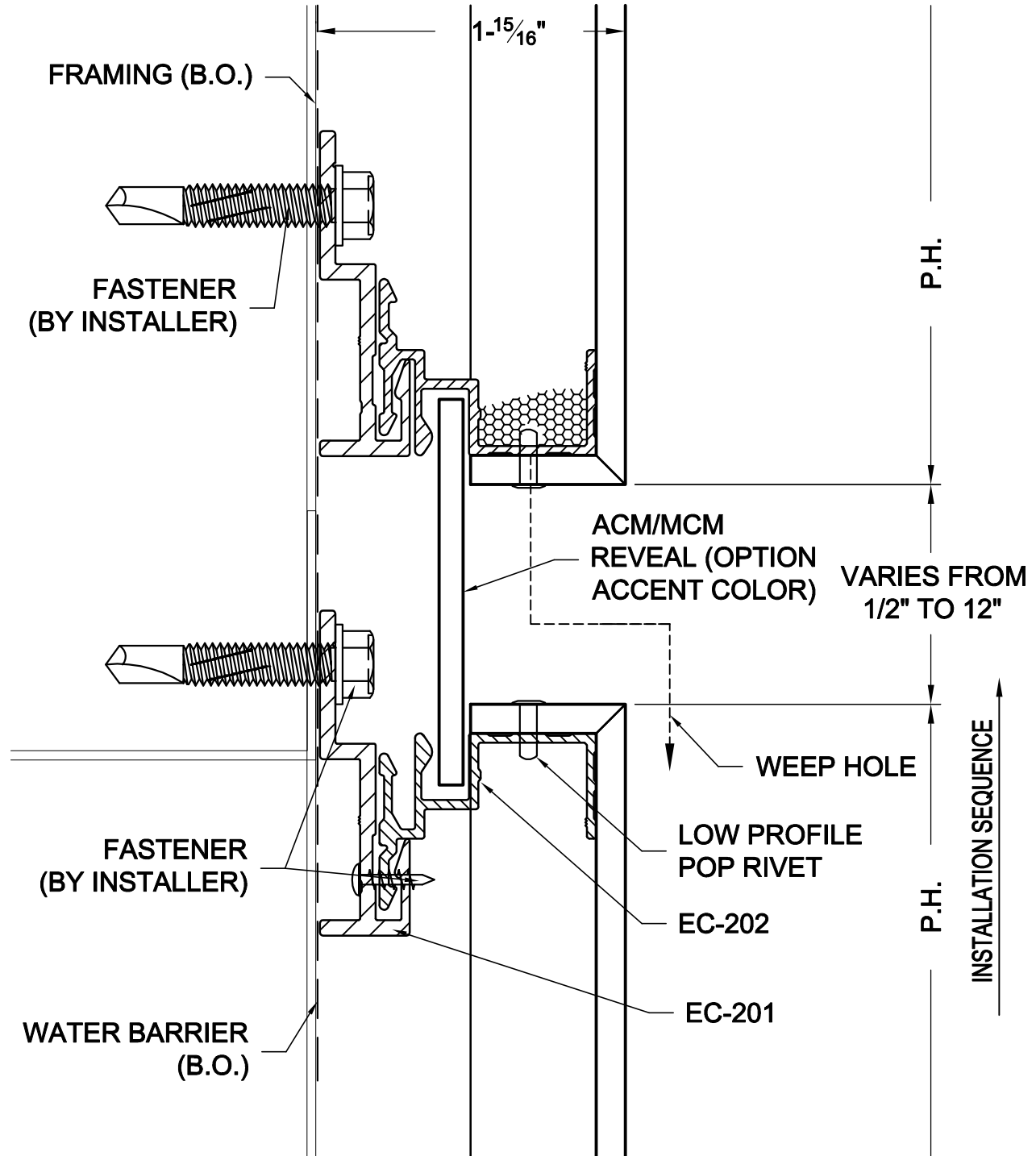
EC-200

RAIN SCREEN PRESSURE EQUALIZED
DRY-JOINT SYSTEM



East Coast Metal Systems, Inc
625 Distribution Road
Triadelphia, WV 26059
www.ecmsinc.net

P: (304) 909-4220 F: (304) 909 4242



HORIZONTAL / VERTICAL JOINT- WIDE JOINT

1:1

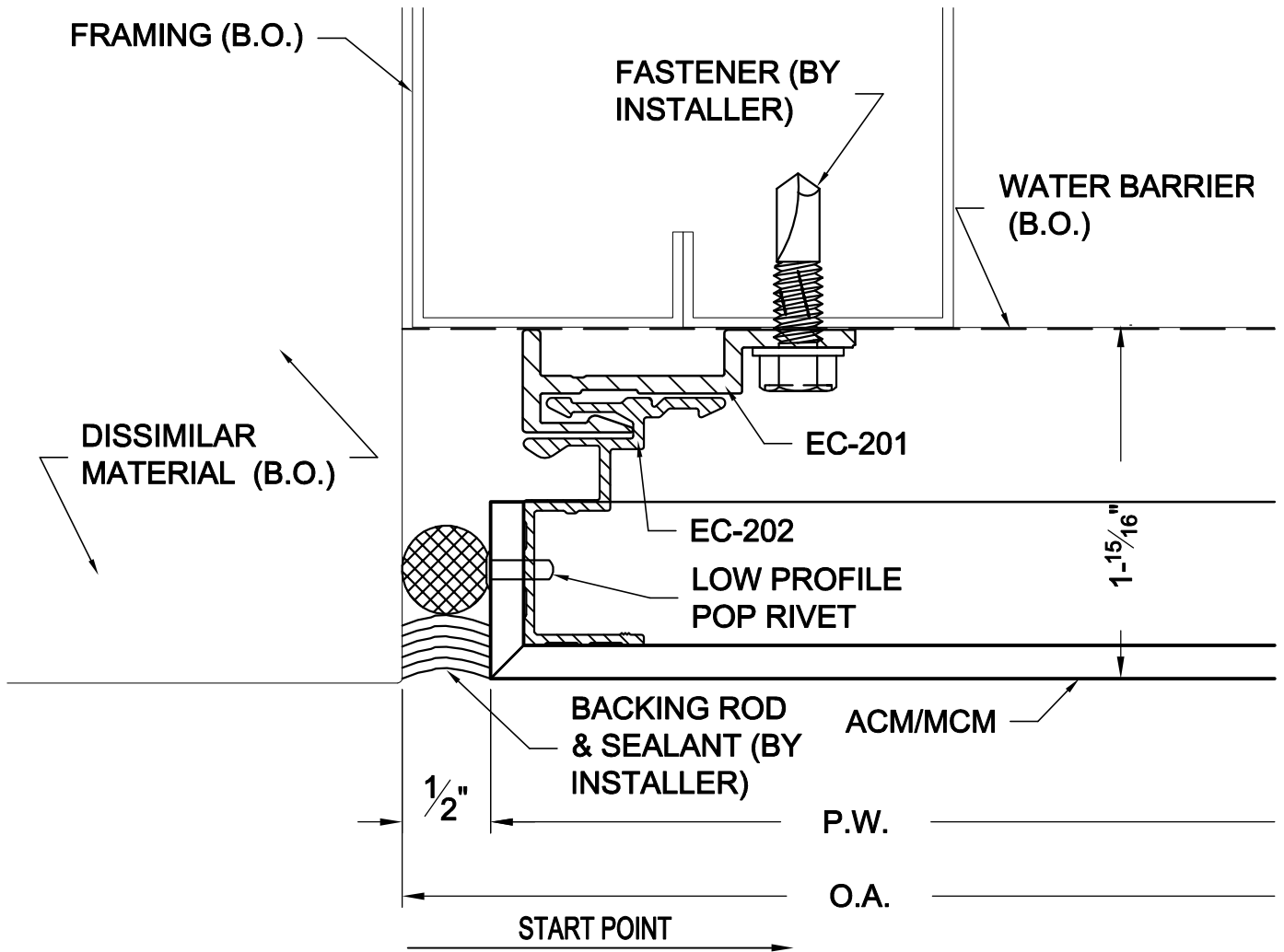
EC-200

RAIN SCREEN PRESSURE EQUALIZED
DRY-JOINT SYSTEM



East Coast Metal Systems, Inc
625 Distribution Road
Triadelphia, WV 26059
www.ecmsinc.net

P: (304) 909-4220 F: (304) 909 4242



START CONDITION

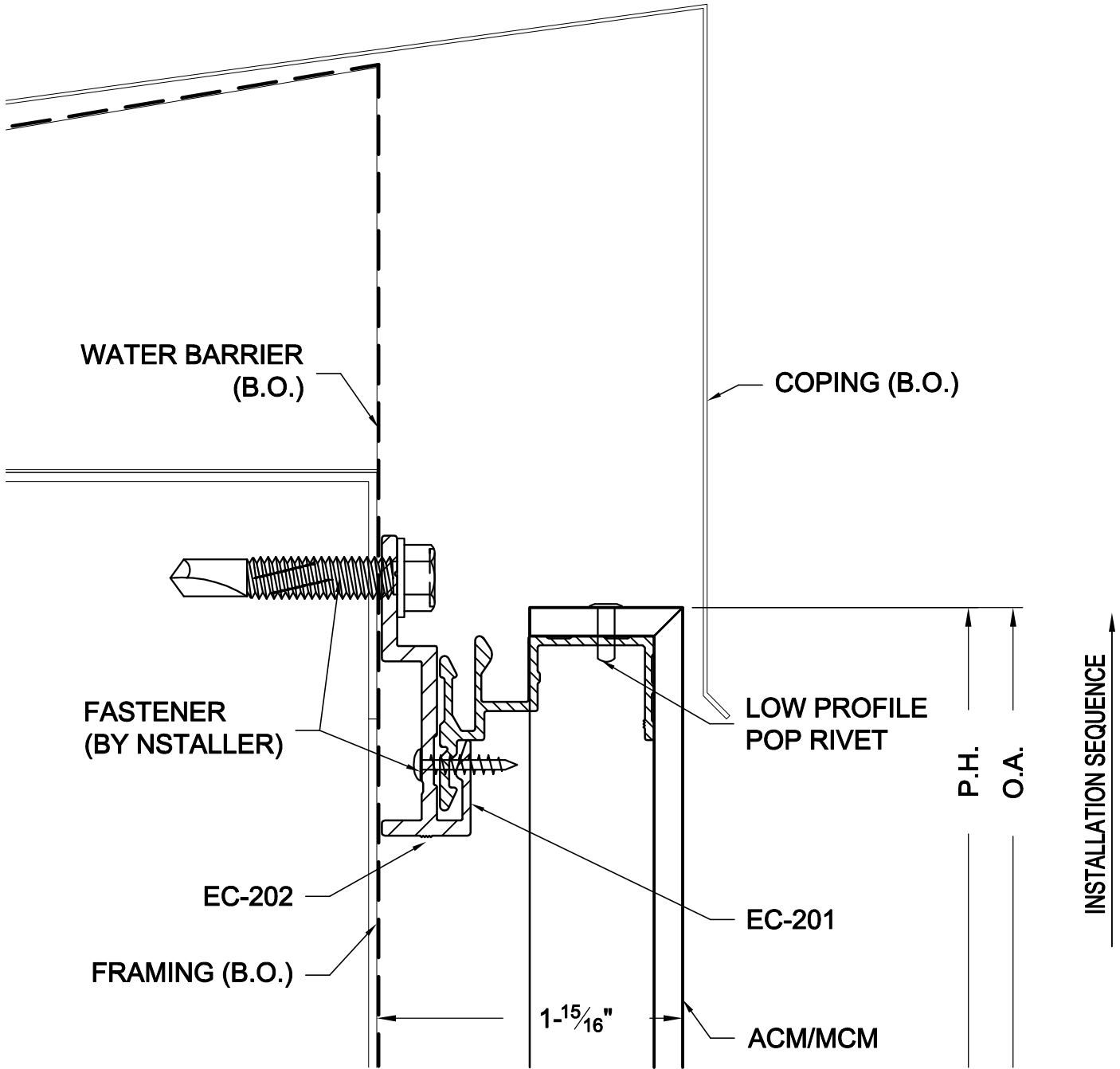
1:1

EC-200

RAIN SCREEN PRESSURE EQUALIZED
DRY-JOINT SYSTEM



East Coast Metal Systems, Inc
625 Distribution Road
Triadelphia, WV 26059
www.ecmsinc.net
P: (304) 909-4220 F: (304) 909 4242



PARAPET CONDITION

1:1

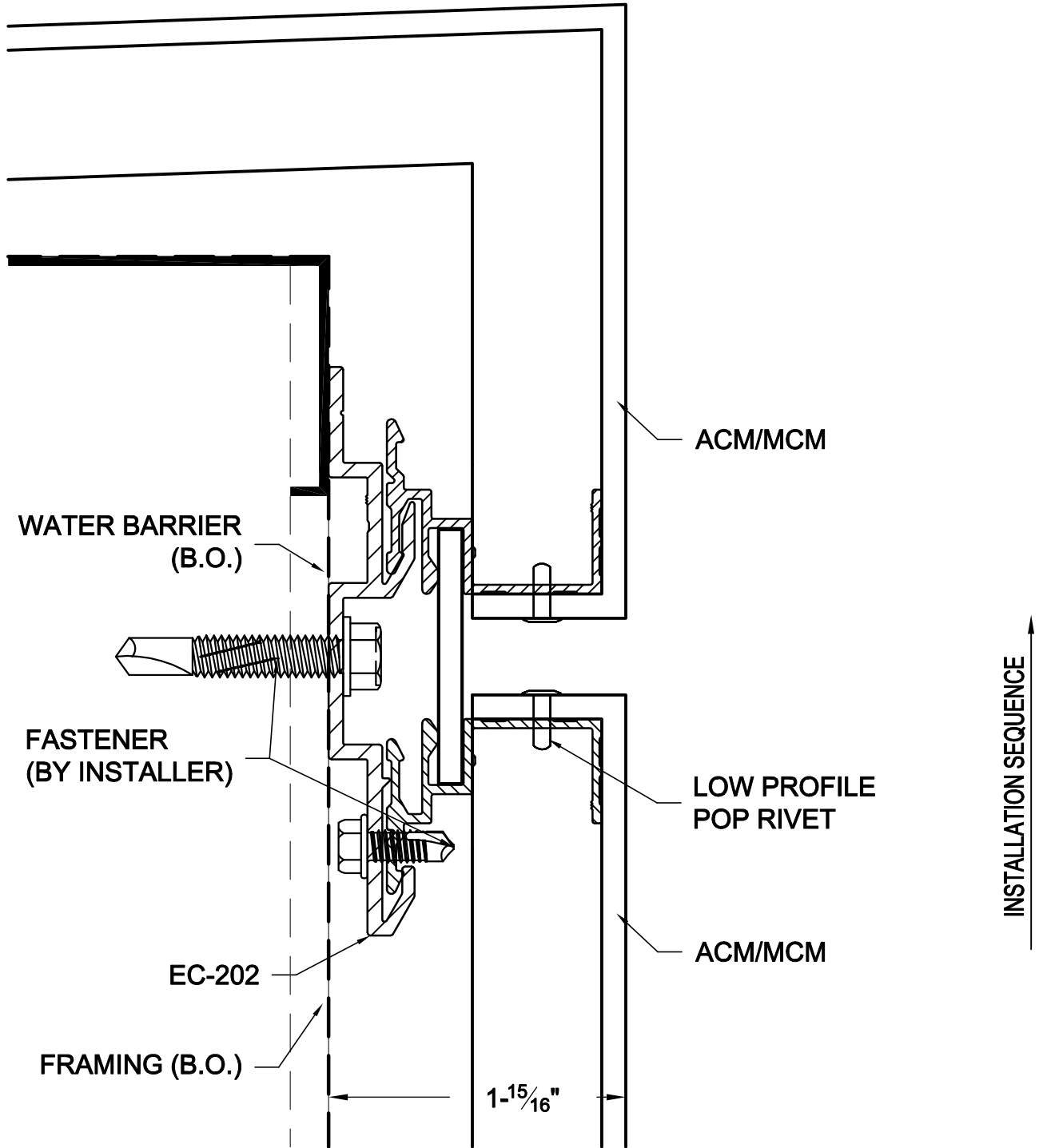
EC-200

RAIN SCREEN PRESSURE EQUALIZED
DRY-JOINT SYSTEM



East Coast Metal Systems, Inc
625 Distribution Road
Triadelphia, WV 26059
www.ecmsinc.net

P: (304) 909-4220 F: (304) 909 4242



COPING CONDITION

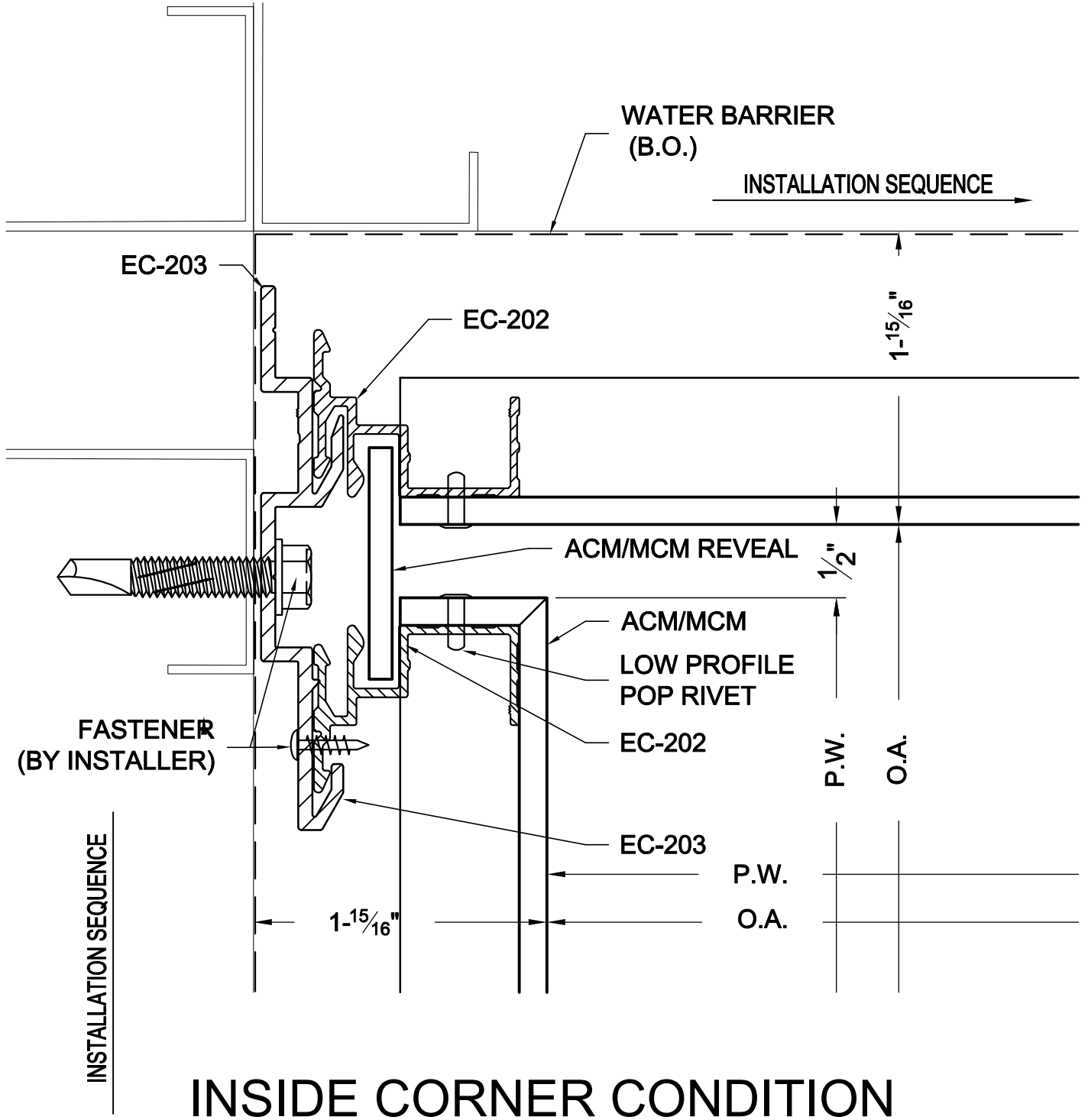
1:1

EC-200

RAIN SCREEN PRESSURE EQUALIZED
DRY-JOINT SYSTEM



East Coast Metal Systems, Inc
625 Distribution Road
Triadelphia, WV 26059
www.ecmsinc.net
P: (304) 909-4220 F: (304) 909 4242



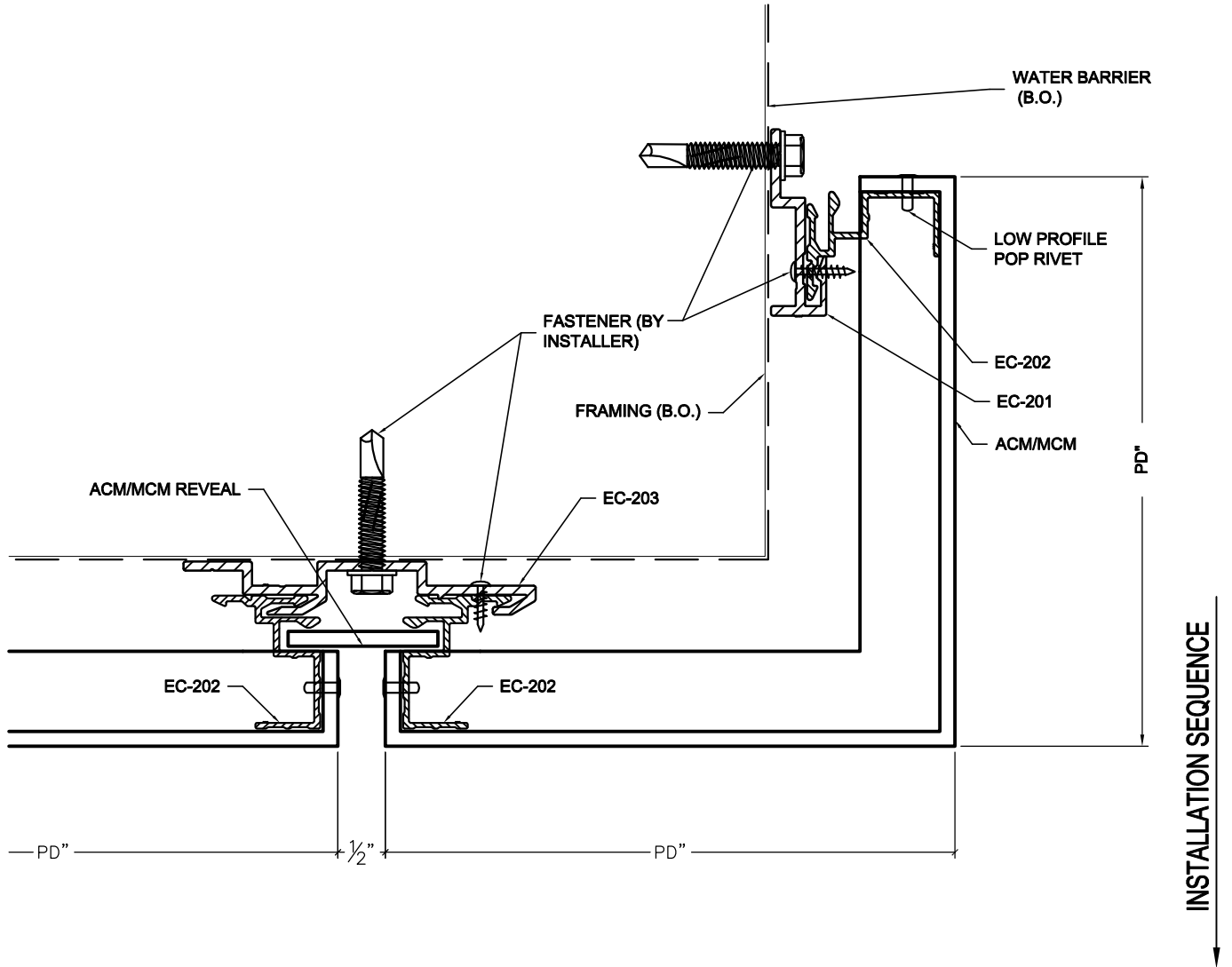
1:1

EC-200

RAIN SCREEN PRESSURE EQUALIZED
DRY-JOINT SYSTEM



East Coast Metal Systems, Inc
625 Distribution Road
Triadelphia, WV 26059
www.ecmsinc.net
P: (304) 909-4220 F: (304) 909 4242



SOFFIT CONDITION

1:1

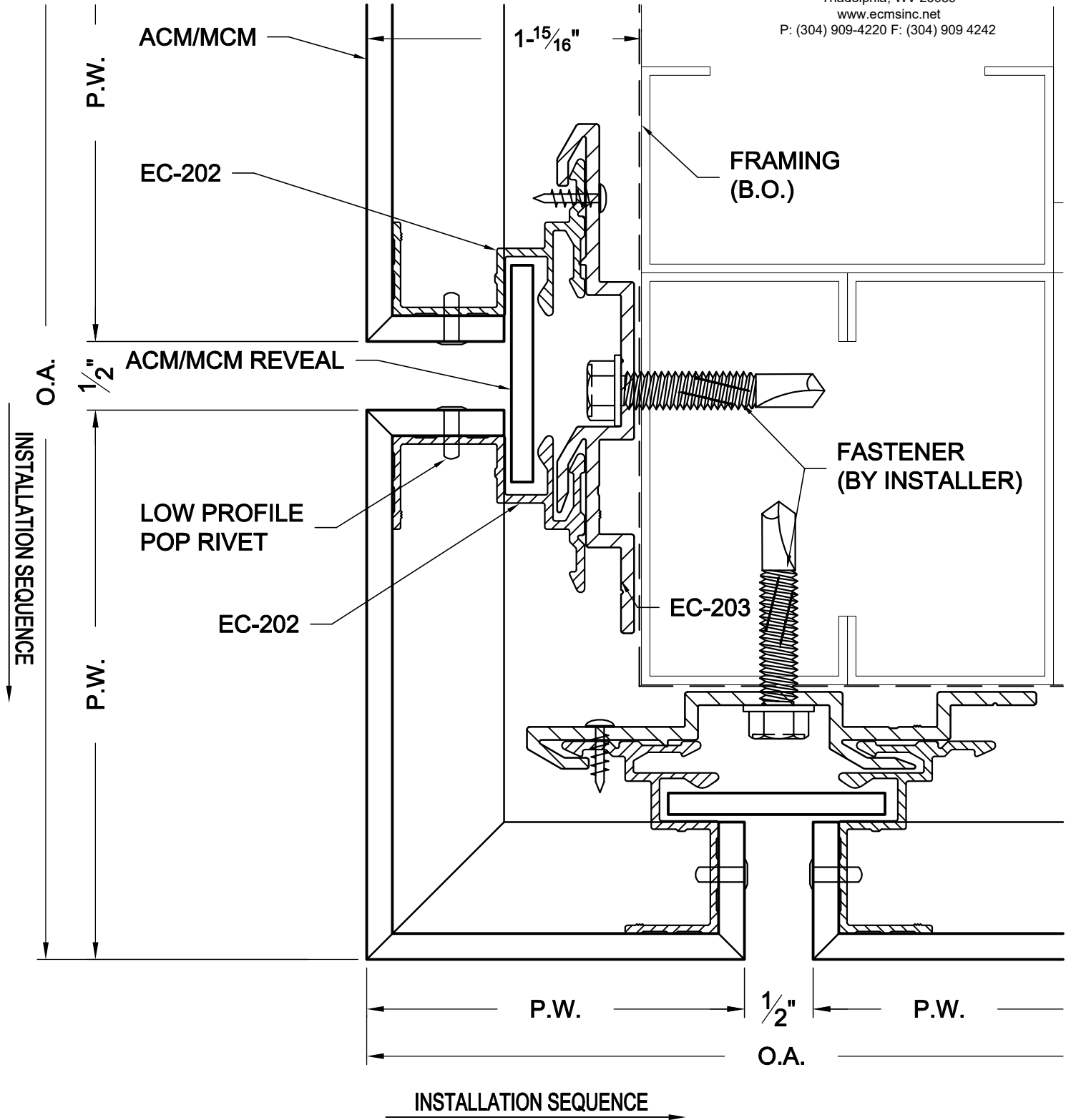
EC-200

RAIN SCREEN PRESSURE EQUALIZED
DRY-JOINT SYSTEM



East Coast Metal Systems, Inc
625 Distribution Road
Triadelphia, WV 26059
www.ecmsinc.net

P: (304) 909-4220 F: (304) 909 4242



OUTSIDE CORNER

1:1

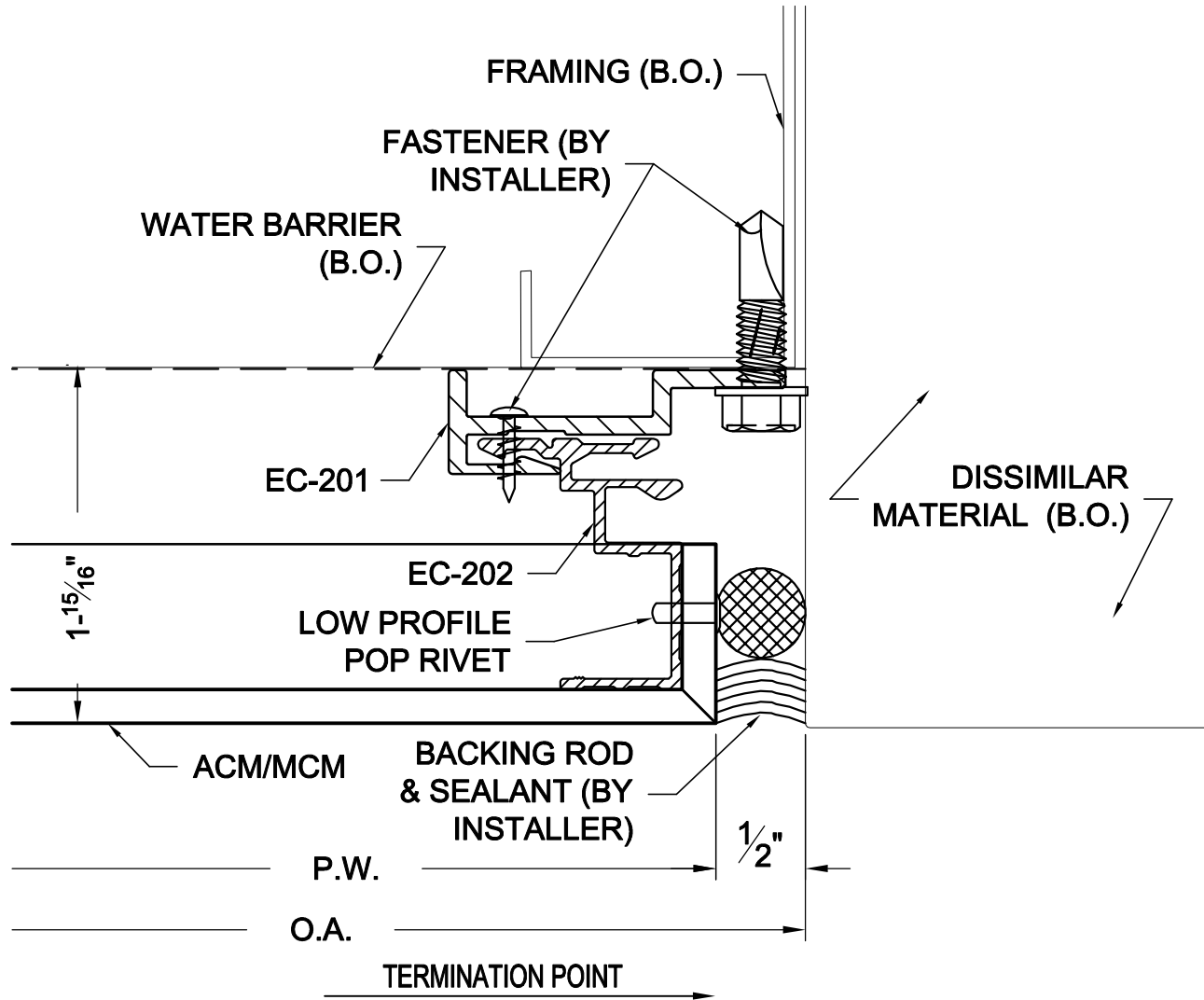
EC-200

RAIN SCREEN PRESSURE EQUALIZED
DRY-JOINT SYSTEM



East Coast Metal Systems, Inc
625 Distribution Road
Triadelphia, WV 26059
www.ecmsinc.net

P: (304) 909-4220 F: (304) 909 4242



TERMINATION CONDITION

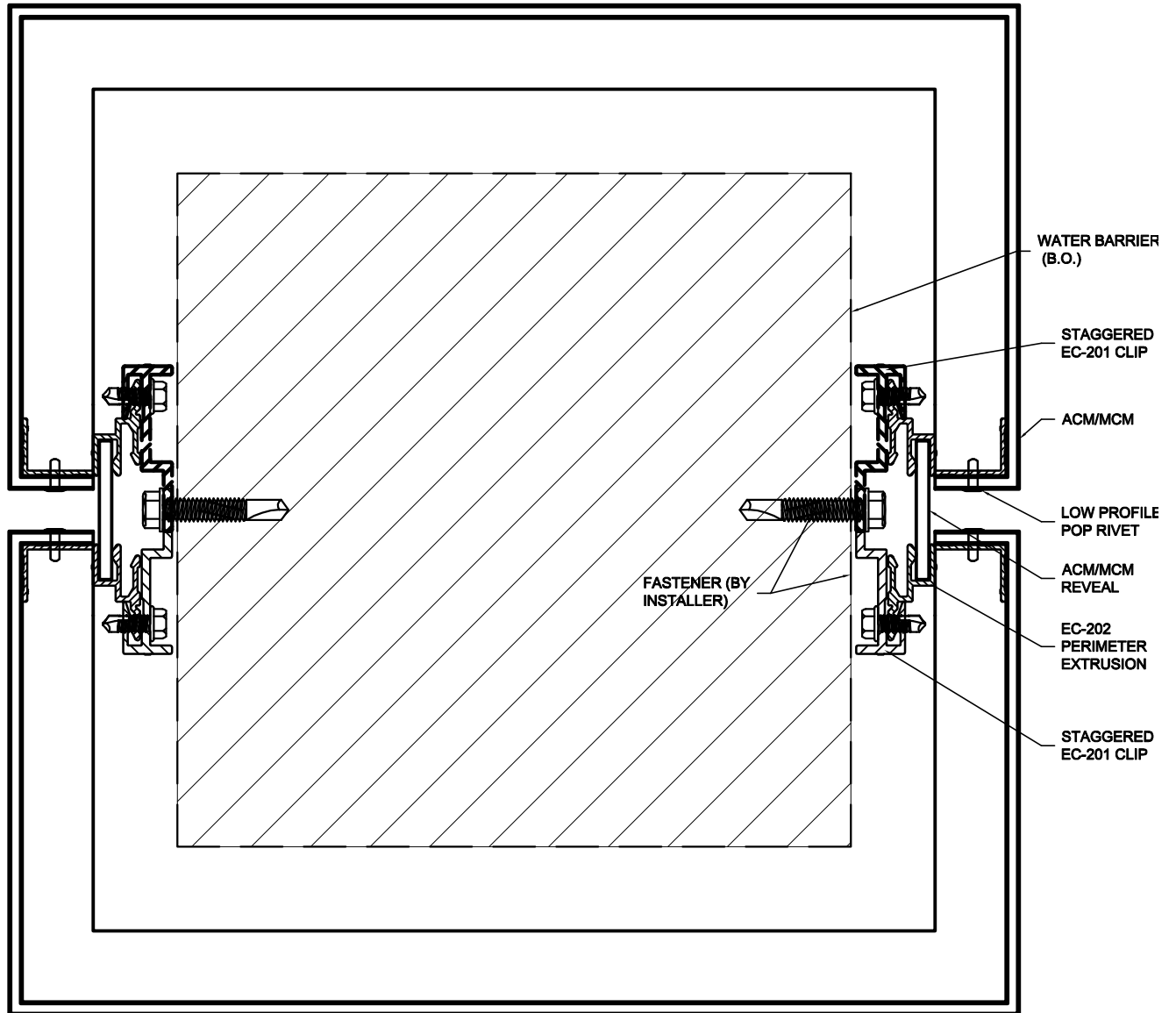
1:1

EC-200

RAIN SCREEN PRESSURE EQUALIZED
DRY-JOINT SYSTEM



East Coast Metal Systems, Inc
625 Distribution Road
Triadelphia, WV 26059
www.ecmsinc.net
P: (304) 909-4220 F: (304) 909 4242



TERMINATION CONDITION

6"=1'-0"