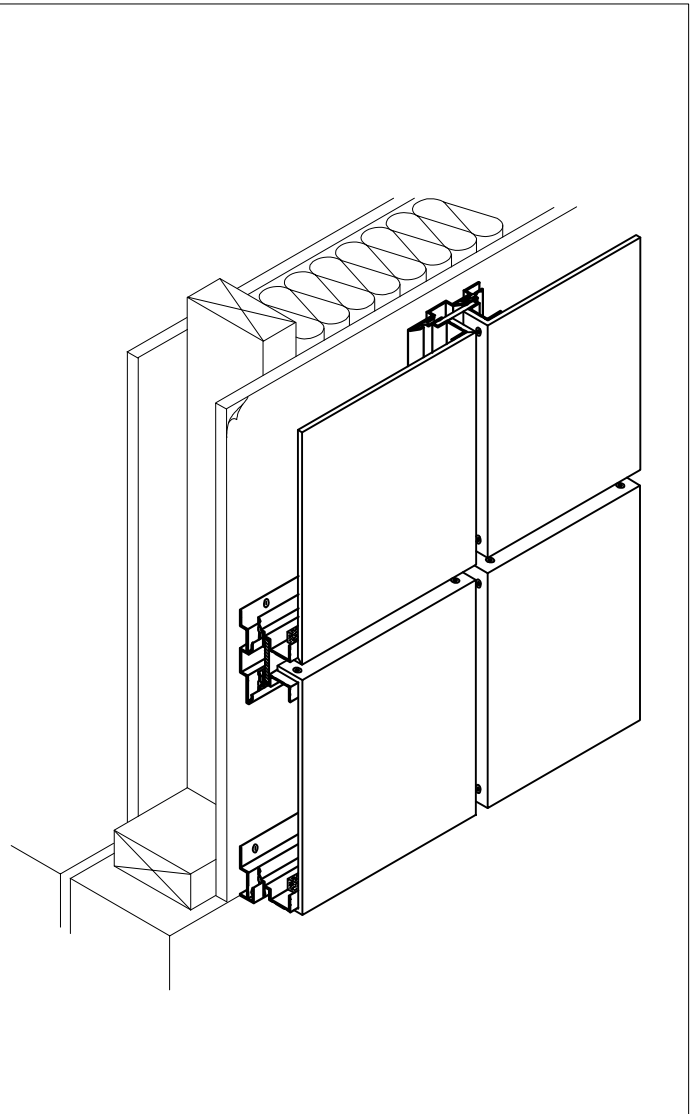
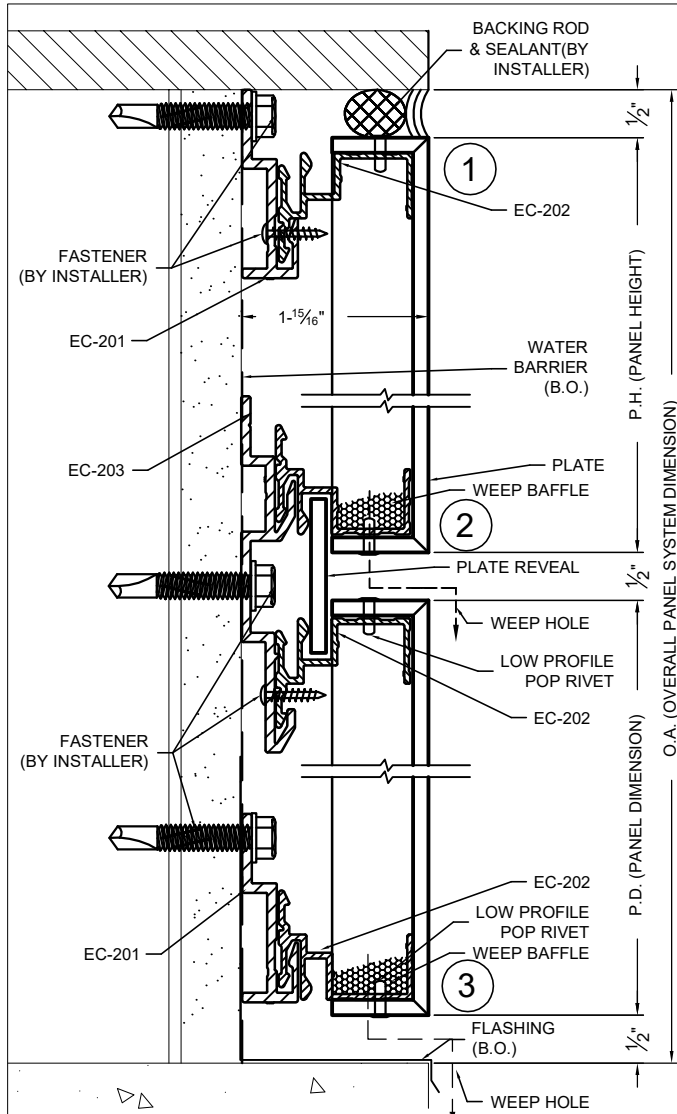


# EC-250

RAIN SCREEN PRESSURE EQUALIZED  
DRY-JOINT SYSTEM



- ① TYPICAL HEAD DETAIL
- ② TYPICAL HORIZONTAL/VERTICAL JOINT
- ③ TYPICAL BASE JOINT

EC-250 PANEL SYSTEM - ISOMETRIC

## EC-250 Dry Joint System

The EC-250 PLATE AAMA 508-07 System allows minimal water penetration. The minimal amount of water that does penetrate the system drains through weep holes. This system utilizes full length extrusions with 6" clips. The EC-250 utilizes a "floating" panel attached to the extrusion to provide a reveal of 1/2" to 12". The system requires no caulking with the exception of joints at perimeter edges where required. The EC-250 provides a hi-tech, clean look and is easy to install.

# EC-250

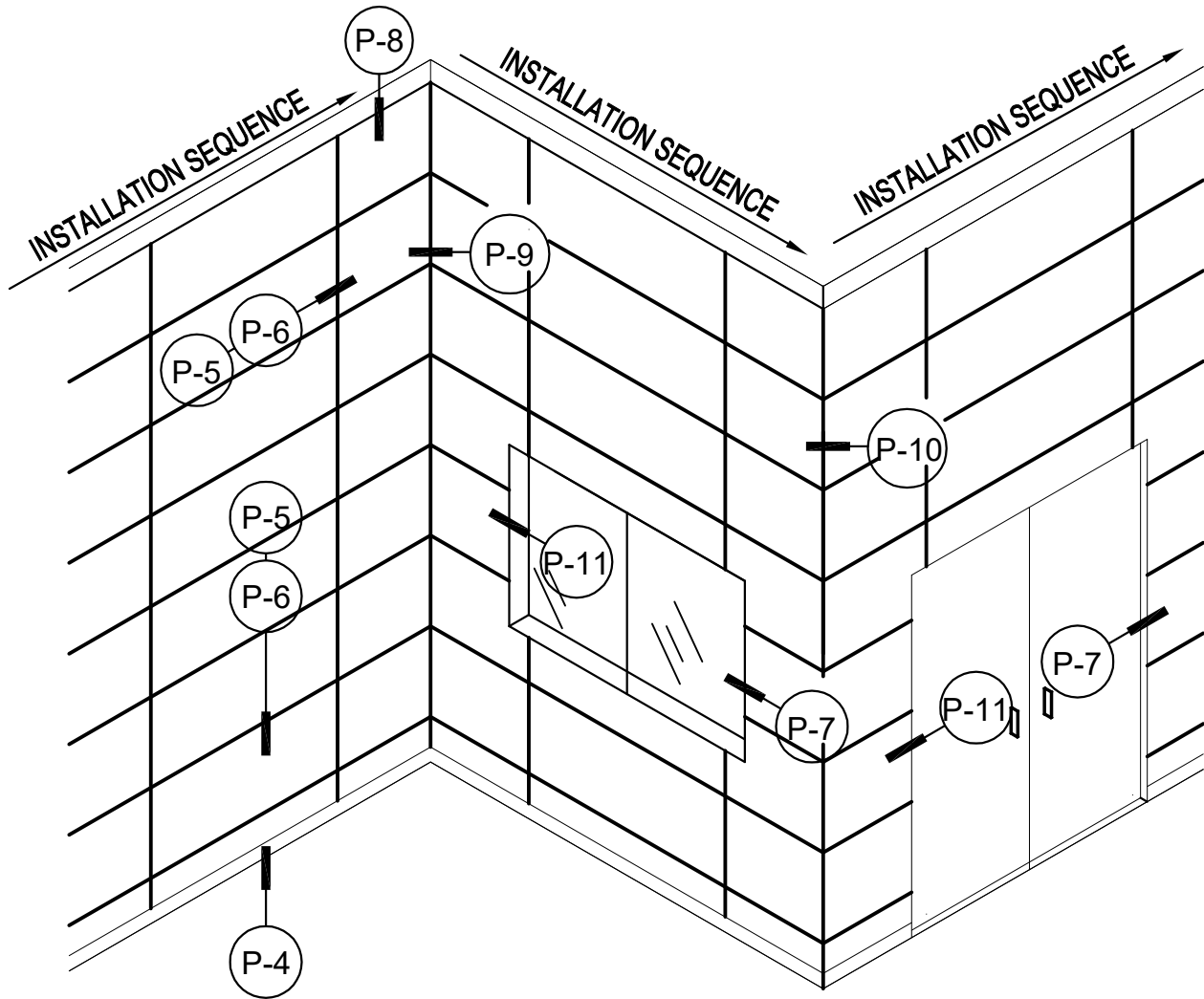
RAIN SCREEN PRESSURE EQUALIZED  
DRY-JOINT SYSTEM



East Coast Metal Systems, Inc  
625 Distribution Road  
Triadelphia, WV 26059  
www.ecmsinc.net

P: (304) 909-4220 F: (304) 909 4242

## EC-250 PLATE PANEL SYSTEM



### ABBREVIATIONS

PLATE = ALUM. PLATE  
B.O. = BY OTHERS  
O.A. = OVERALL PANEL  
SYSTEM DIMENSION  
P.D. = PANEL DIMENSION  
P.H. = PANEL HEIGHT  
P.W. = PANEL WIDTH

### INDEX

(P-2): SYSTEM OVERVIEW  
(P-3): EXTRUSIONS  
(P-4) - (P-11): SYSTEM DETAILS

# EC-250

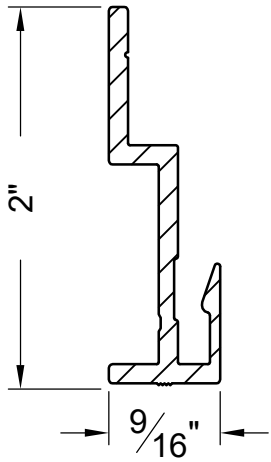
RAIN SCREEN PRESSURE EQUALIZED  
DRY-JOINT SYSTEM



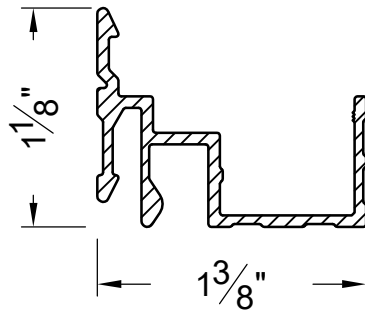
East Coast Metal Systems, Inc  
625 Distribution Road  
Triadelphia, WV 26059  
www.ecmsinc.net

P: (304) 909-4220 F: (304) 909 4242

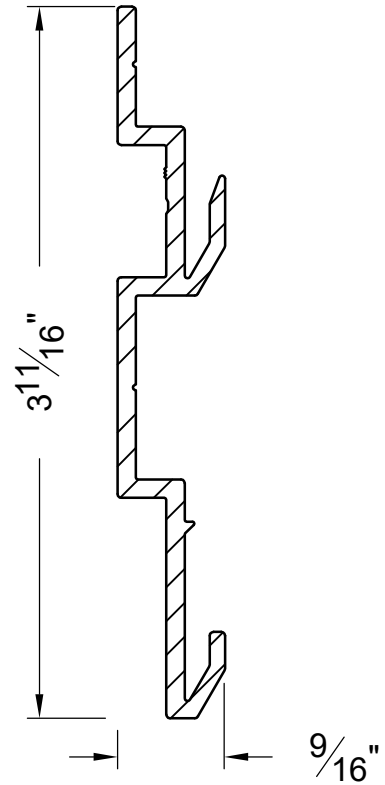
## ATTACHMENT EXTRUSIONS



EC-201 EXTRUSION  
(STARTER STRIP)



EC-202  
PANEL EXTRUSION



EC-203  
1/2" JOINT CLIP

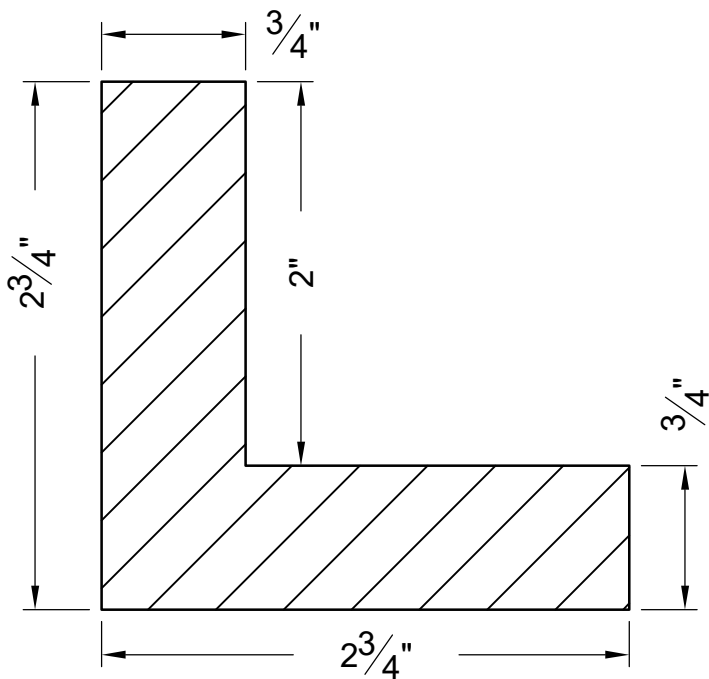


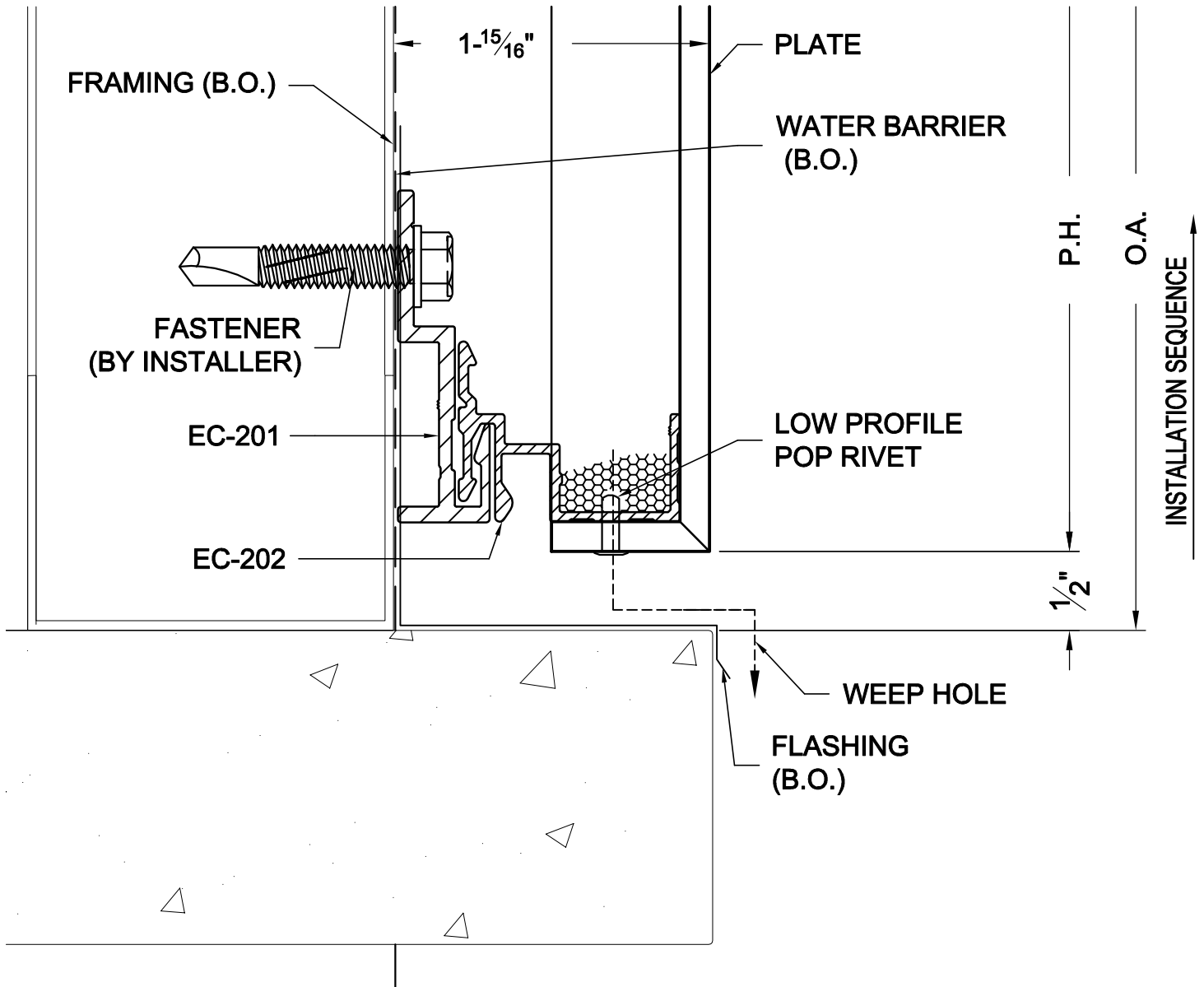
PLATE PANEL RETURN REINFORCEMENT

# EC-250

RAIN SCREEN PRESSURE EQUALIZED  
DRY-JOINT SYSTEM



East Coast Metal Systems, Inc  
625 Distribution Road  
Triadelphia, WV 26059  
www.ecmsinc.net  
P: (304) 909-4220 F: (304) 909 4242



## SILL CONDITION

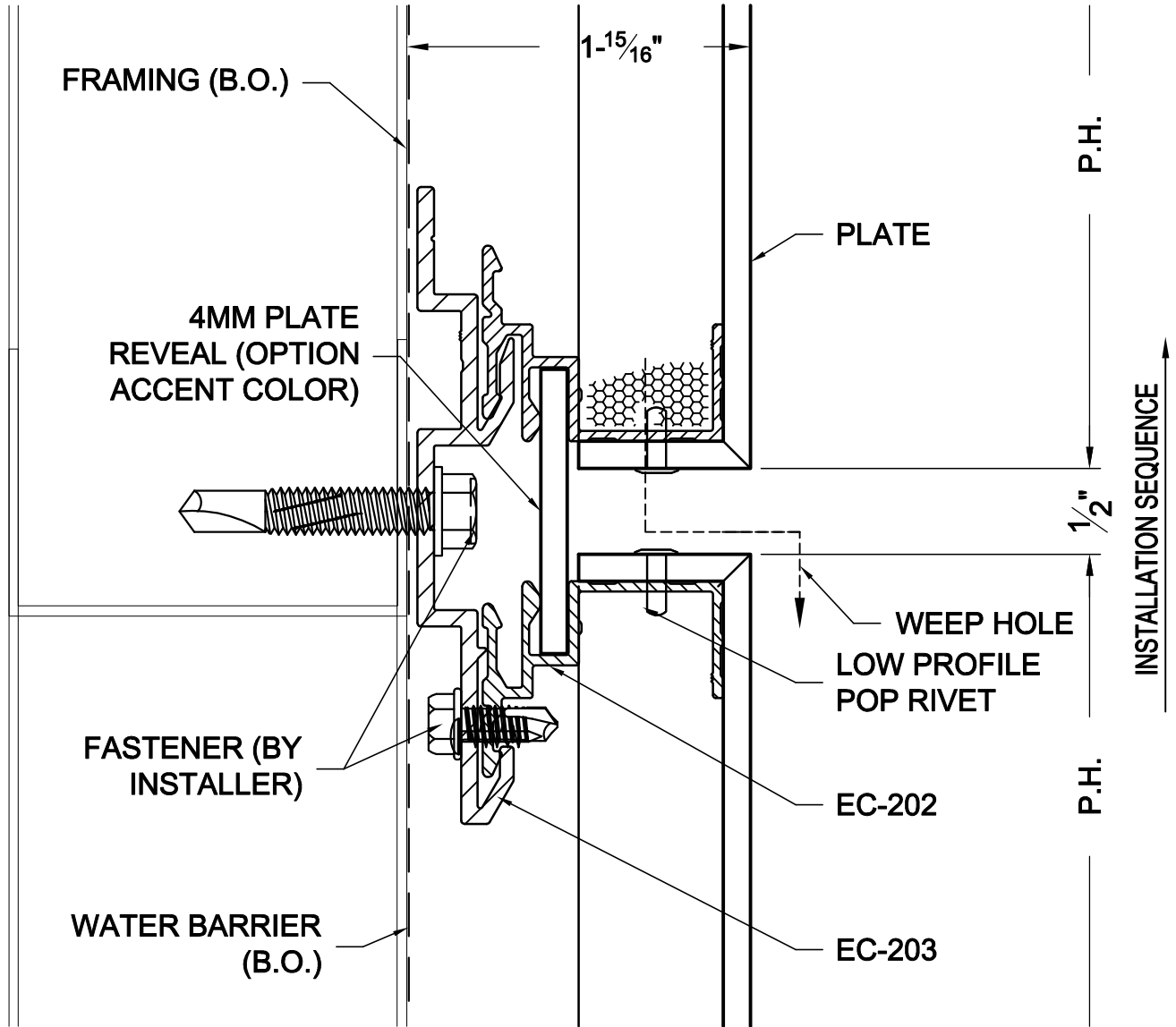
1:1

# EC-250

RAIN SCREEN PRESSURE EQUALIZED  
DRY-JOINT SYSTEM



East Coast Metal Systems, Inc  
625 Distribution Road  
Triadelphia, WV 26059  
www.ecmsinc.net  
P: (304) 909-4220 F: (304) 909 4242



## HORIZONTAL / VERTICAL JOINT- TYPICAL JOINT

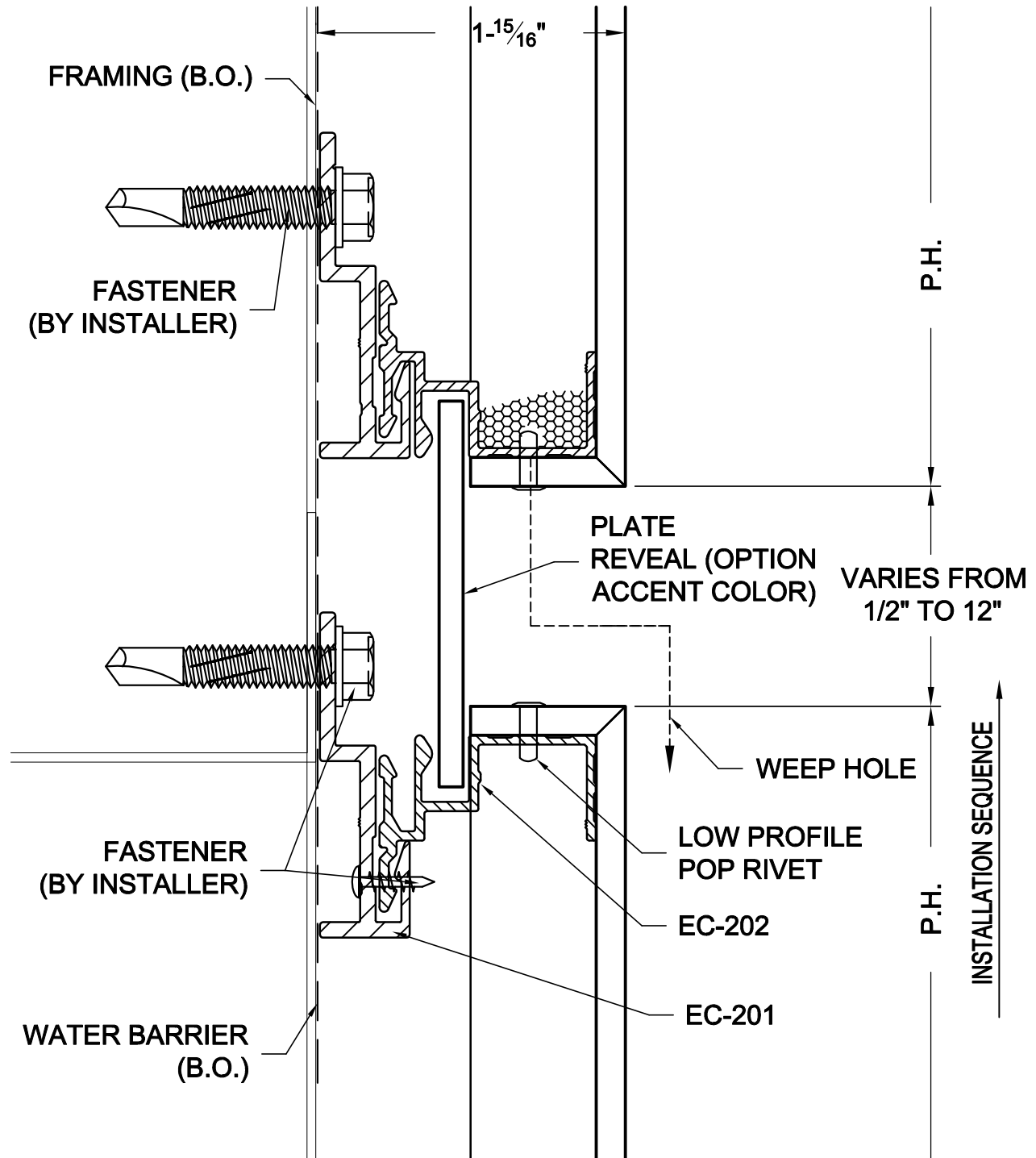
1:1

# EC-250

RAIN SCREEN PRESSURE EQUALIZED  
DRY-JOINT SYSTEM



East Coast Metal Systems, Inc  
625 Distribution Road  
Triadelphia, WV 26059  
www.ecmsinc.net  
P: (304) 909-4220 F: (304) 909 4242



## HORIZONTAL / VERTICAL JOINT- WIDE JOINT

1:1

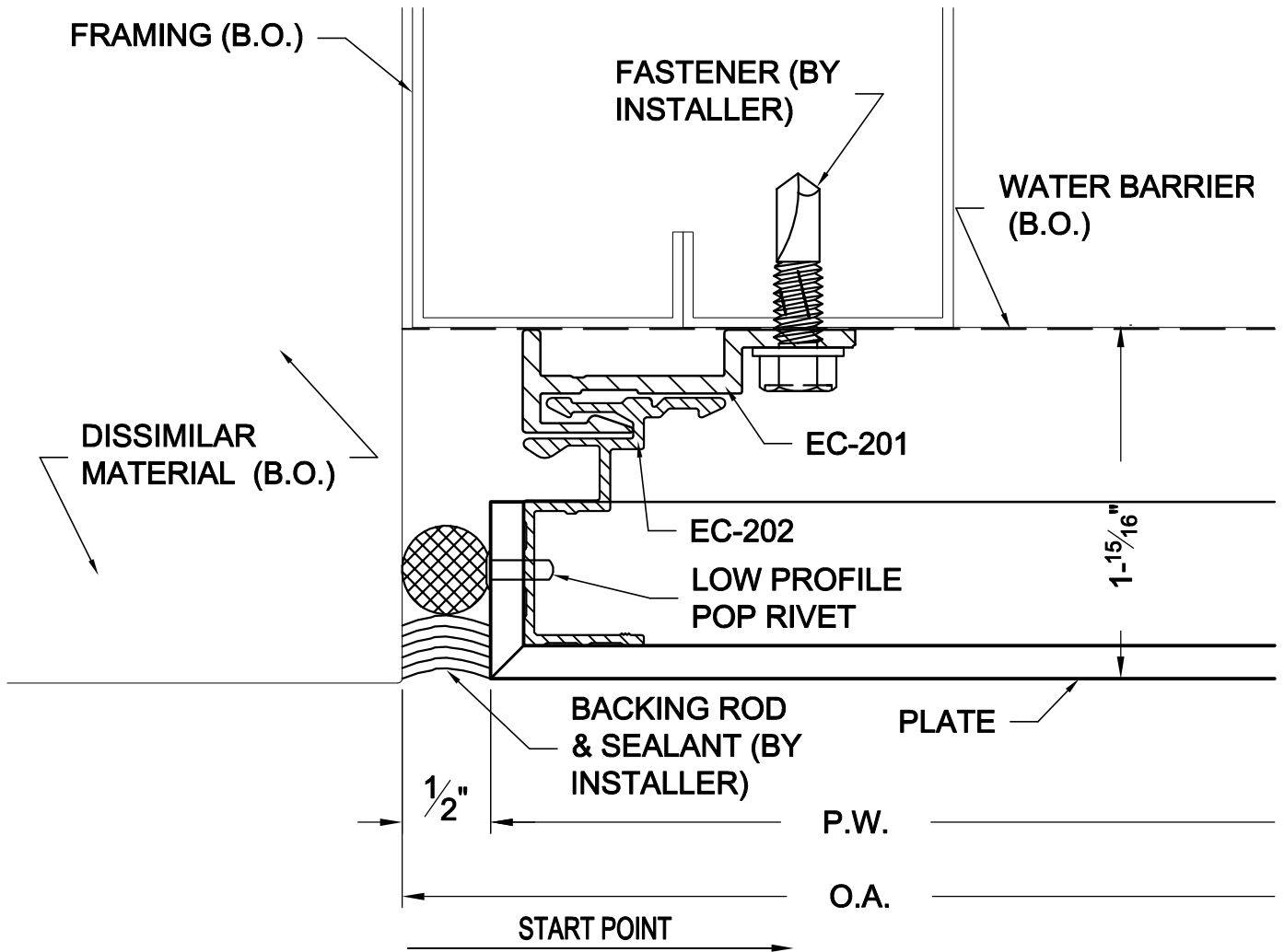
# EC-250

RAIN SCREEN PRESSURE EQUALIZED  
DRY-JOINT SYSTEM



East Coast Metal Systems, Inc  
625 Distribution Road  
Triadelphia, WV 26059  
www.ecmsinc.net

P: (304) 909-4220 F: (304) 909 4242



## START CONDITION

1:1

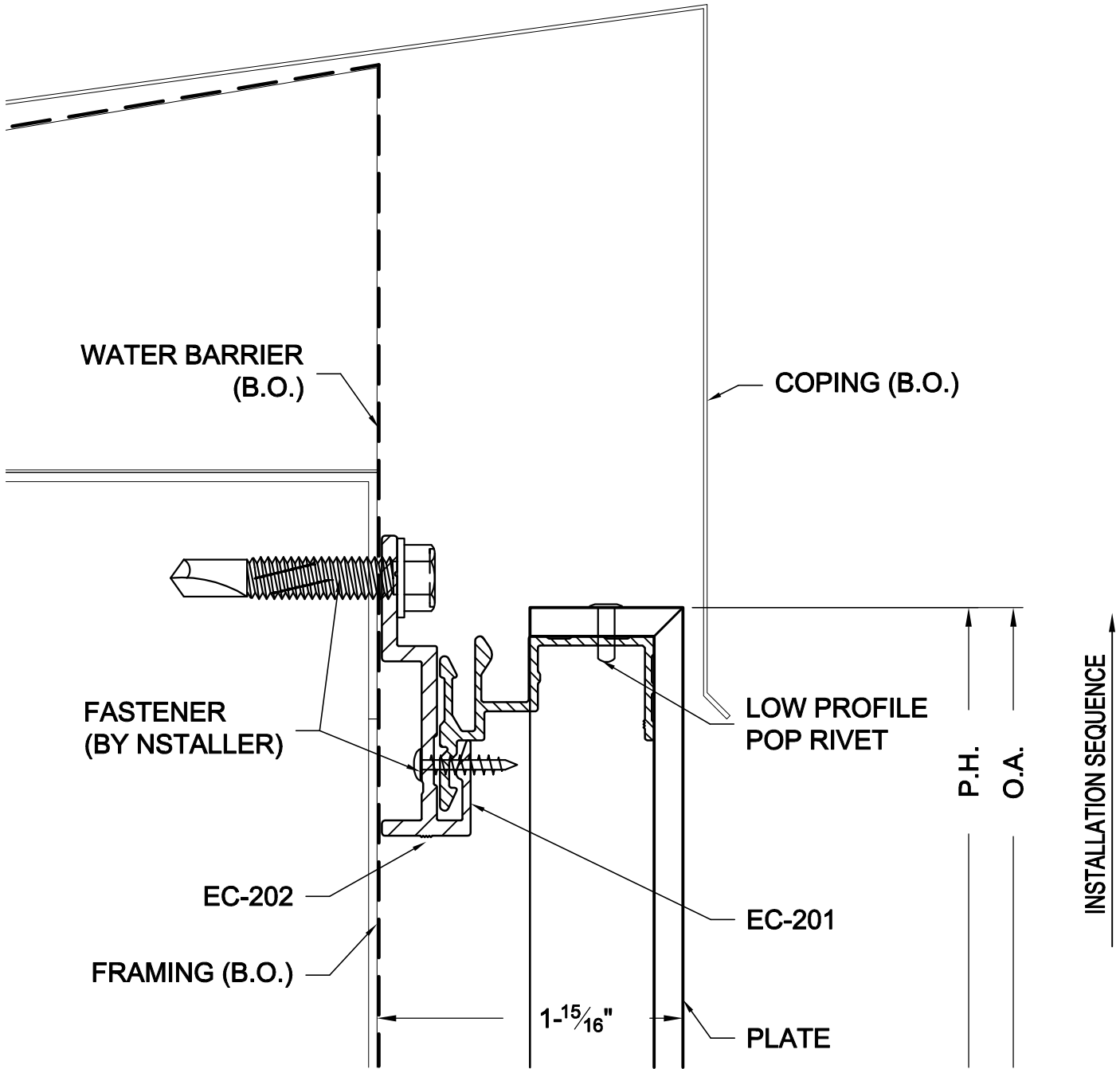
# EC-250

RAIN SCREEN PRESSURE EQUALIZED  
DRY-JOINT SYSTEM



East Coast Metal Systems, Inc  
625 Distribution Road  
Triadelphia, WV 26059  
www.ecmsinc.net

P: (304) 909-4220 F: (304) 909 4242



## PARAPET CONDITION

1:1



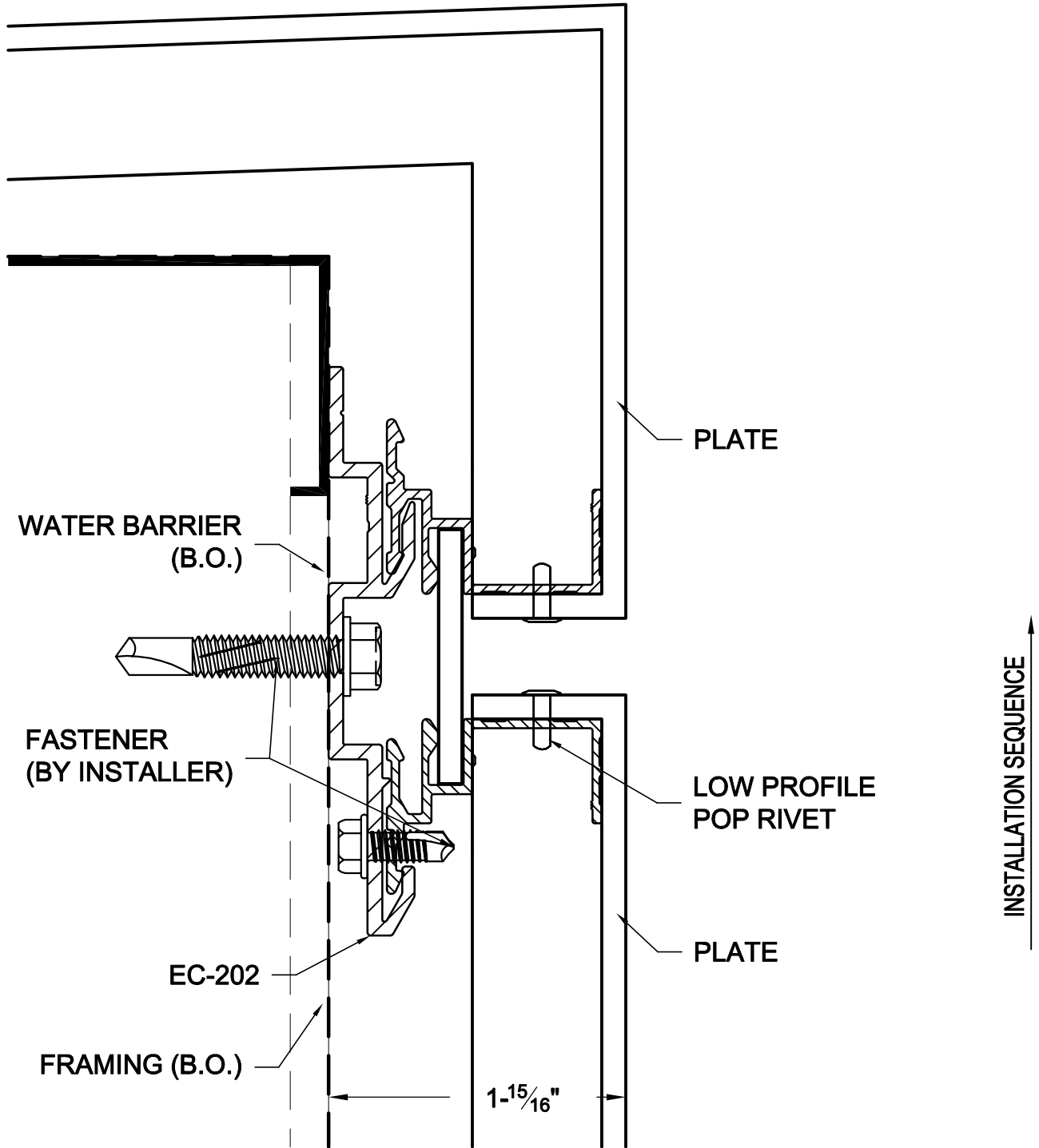
# EC-250

RAIN SCREEN PRESSURE EQUALIZED  
DRY-JOINT SYSTEM



East Coast Metal Systems, Inc  
625 Distribution Road  
Triadelphia, WV 26059  
www.ecmsinc.net

P: (304) 909-4220 F: (304) 909 4242



## COPING CONDITION

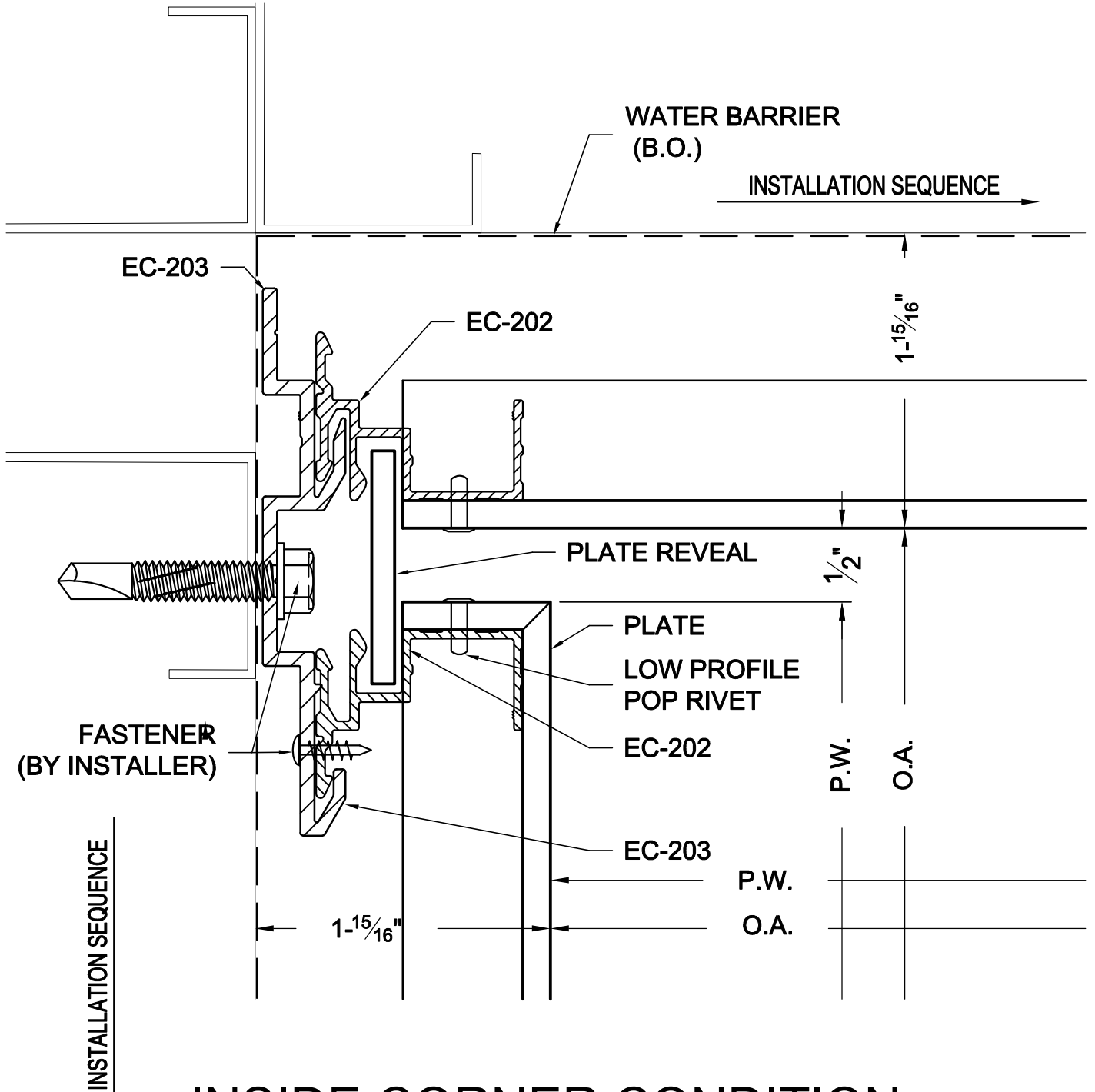
1:1

# EC-250

RAIN SCREEN PRESSURE EQUALIZED  
DRY-JOINT SYSTEM



East Coast Metal Systems, Inc  
625 Distribution Road  
Triadelphia, WV 26059  
www.ecmsinc.net  
P: (304) 909-4220 F: (304) 909 4242



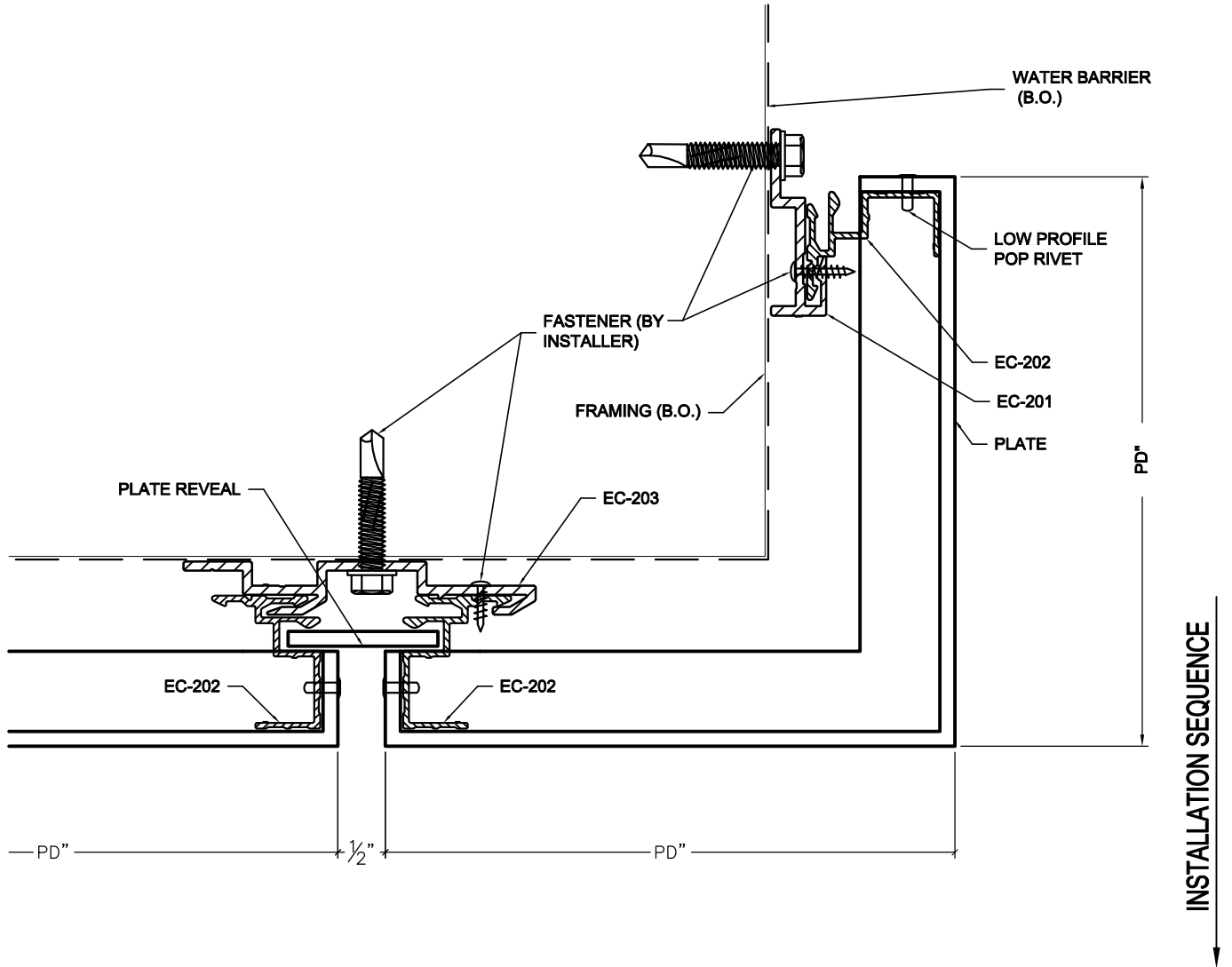
1:1

# EC-250

RAIN SCREEN PRESSURE EQUALIZED  
DRY-JOINT SYSTEM



East Coast Metal Systems, Inc  
625 Distribution Road  
Triadelphia, WV 26059  
www.ecmsinc.net  
P: (304) 909-4220 F: (304) 909 4242



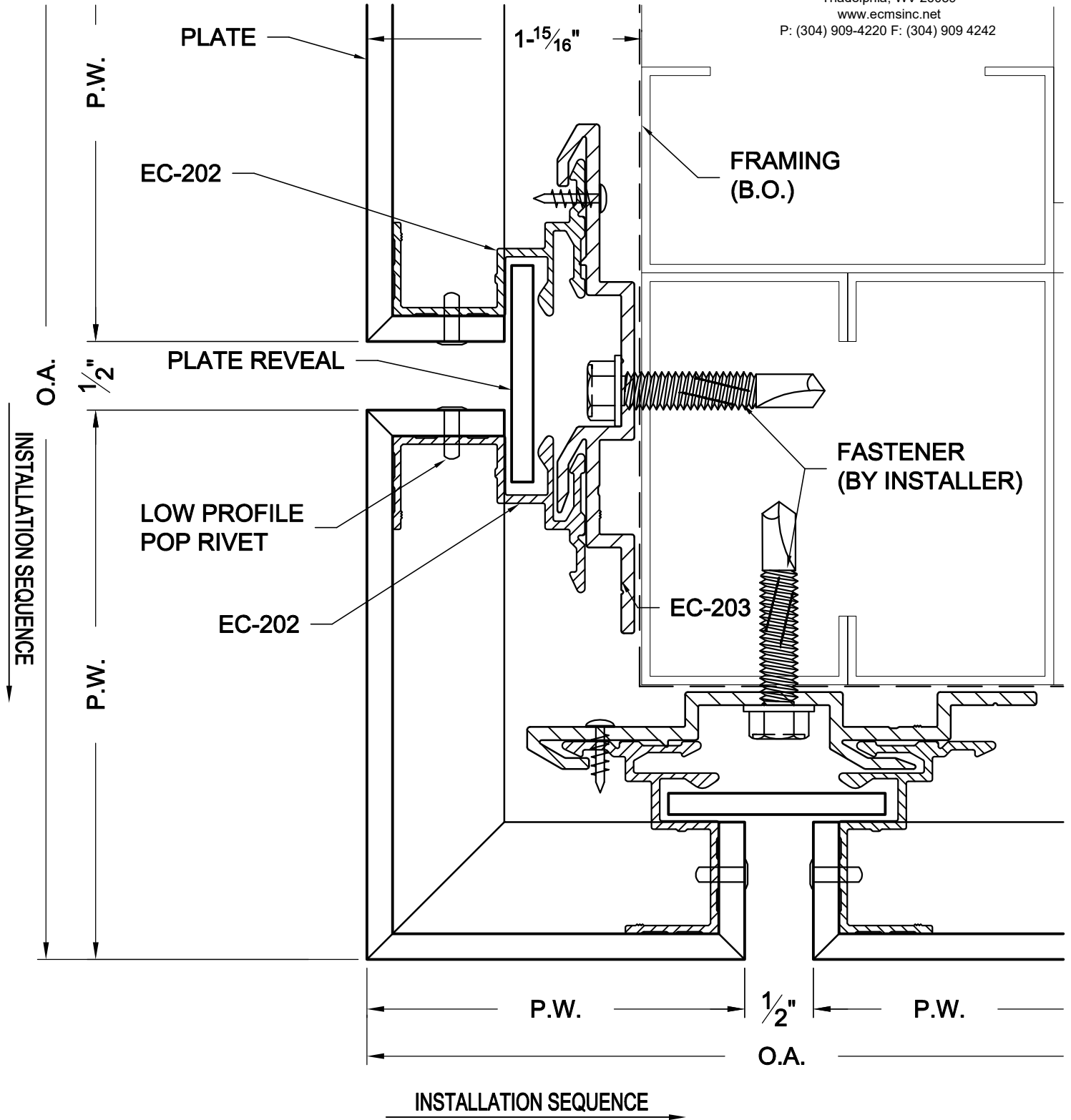
## SOFFIT CONDITION

1:1

# EC-250

RAIN SCREEN PRESSURE EQUALIZED  
DRY-JOINT SYSTEM

East Coast Metal Systems, Inc  
625 Distribution Road  
Triadelphia, WV 26059  
www.ecmsinc.net  
P: (304) 909-4220 F: (304) 909 4242



## OUTSIDE CORNER

1:1

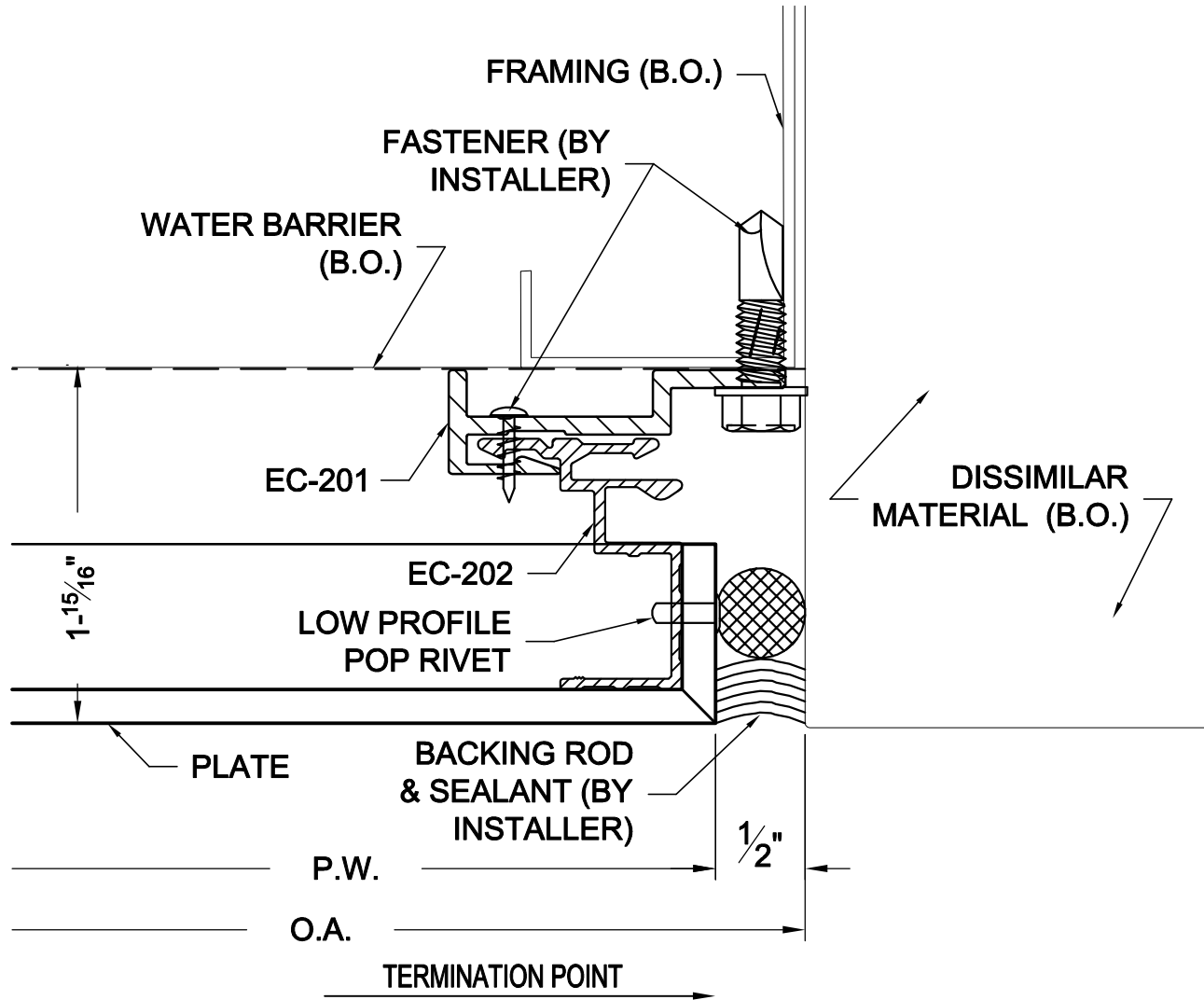
# EC-250

RAIN SCREEN PRESSURE EQUALIZED  
DRY-JOINT SYSTEM



East Coast Metal Systems, Inc  
625 Distribution Road  
Triadelphia, WV 26059  
www.ecmsinc.net

P: (304) 909-4220 F: (304) 909 4242



## TERMINATION CONDITION

1:1

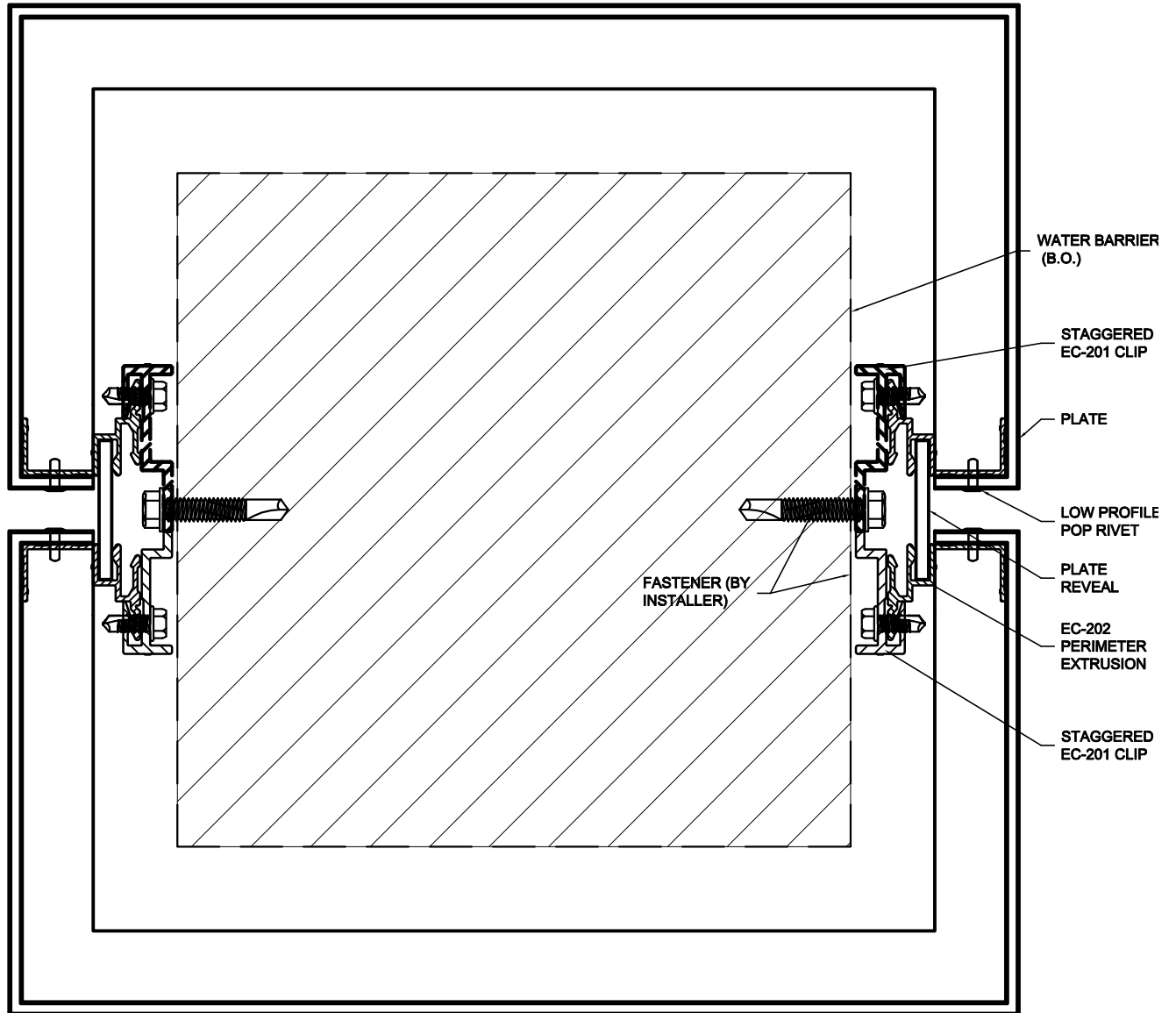
# EC-250

RAIN SCREEN PRESSURE EQUALIZED  
DRY-JOINT SYSTEM



East Coast Metal Systems, Inc  
625 Distribution Road  
Triadelphia, WV 26059  
www.ecmsinc.net

P: (304) 909-4220 F: (304) 909 4242



## TERMINATION CONDITION

6"=1'-0"