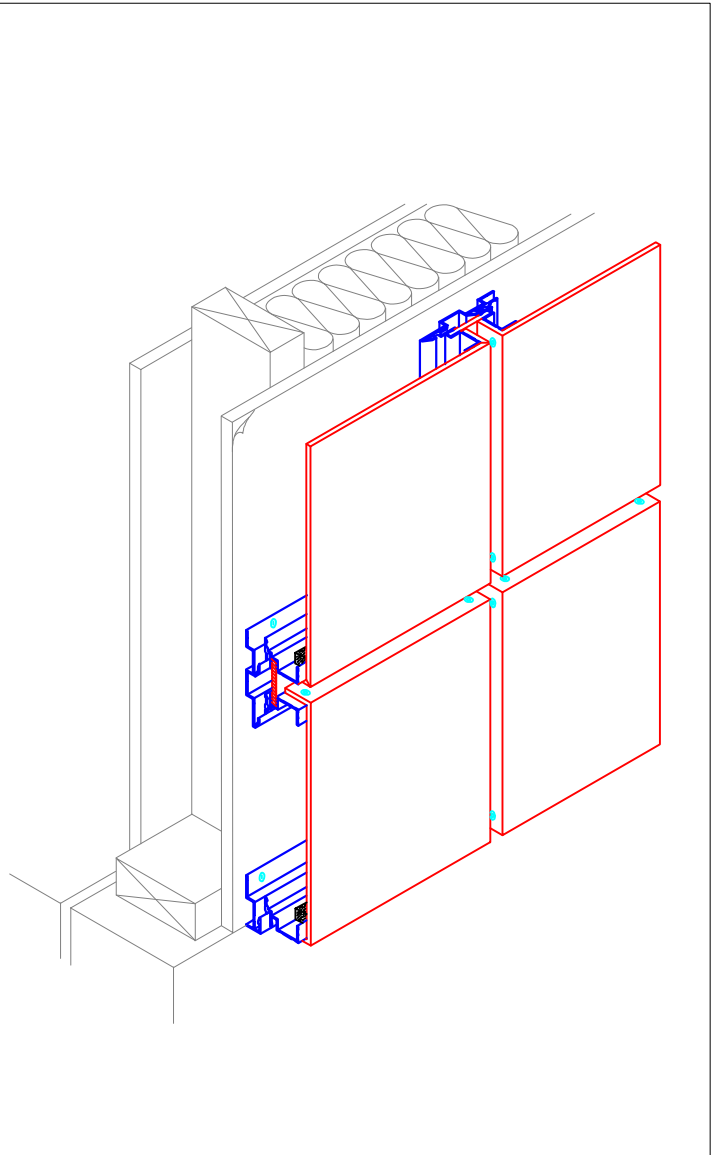
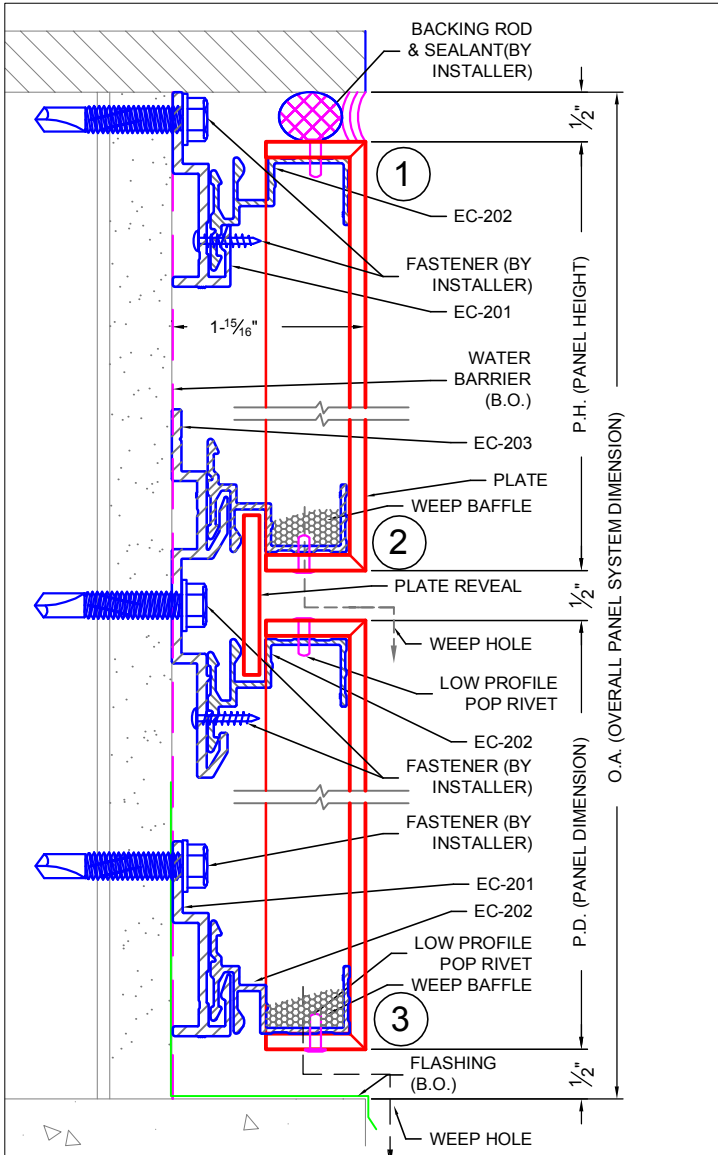


# EC-250

RAIN SCREEN PRESSURE EQUALIZED  
DRY-JOINT SYSTEM



P.O. Box 217, 407 53RD STREET  
BELLAIRE, OHIO 43906  
(740) 676-2400  
(740) 671-8760 Fax  
www.ecmsinc.net  
ecms@ecmsinc.net



- ① TYPICAL HEAD DETAIL
- ② TYPICAL HORIZONTAL/VERTICAL JOINT
- ③ TYPICAL BASE JOINT

EC-250 PANEL SYSTEM - ISOMETRIC

## EC-250 Dry Joint System

The EC-250 Panel Plate System, allows minimal water permeation. The minimal amount of water that does penetrate the system drains through weep holes. This system utilizes full length EC-202 extrusions with 6" clips (EC-203). The EC-250 utilizes a "floating" panel attached to the extrusion to provide a PLATE reveal of 1/2" to 12". The system requires no caulking with the exception of joints at perimeter edges. The EC-250 provides a hi-tech, clean look and is easy to install.

# EC-250

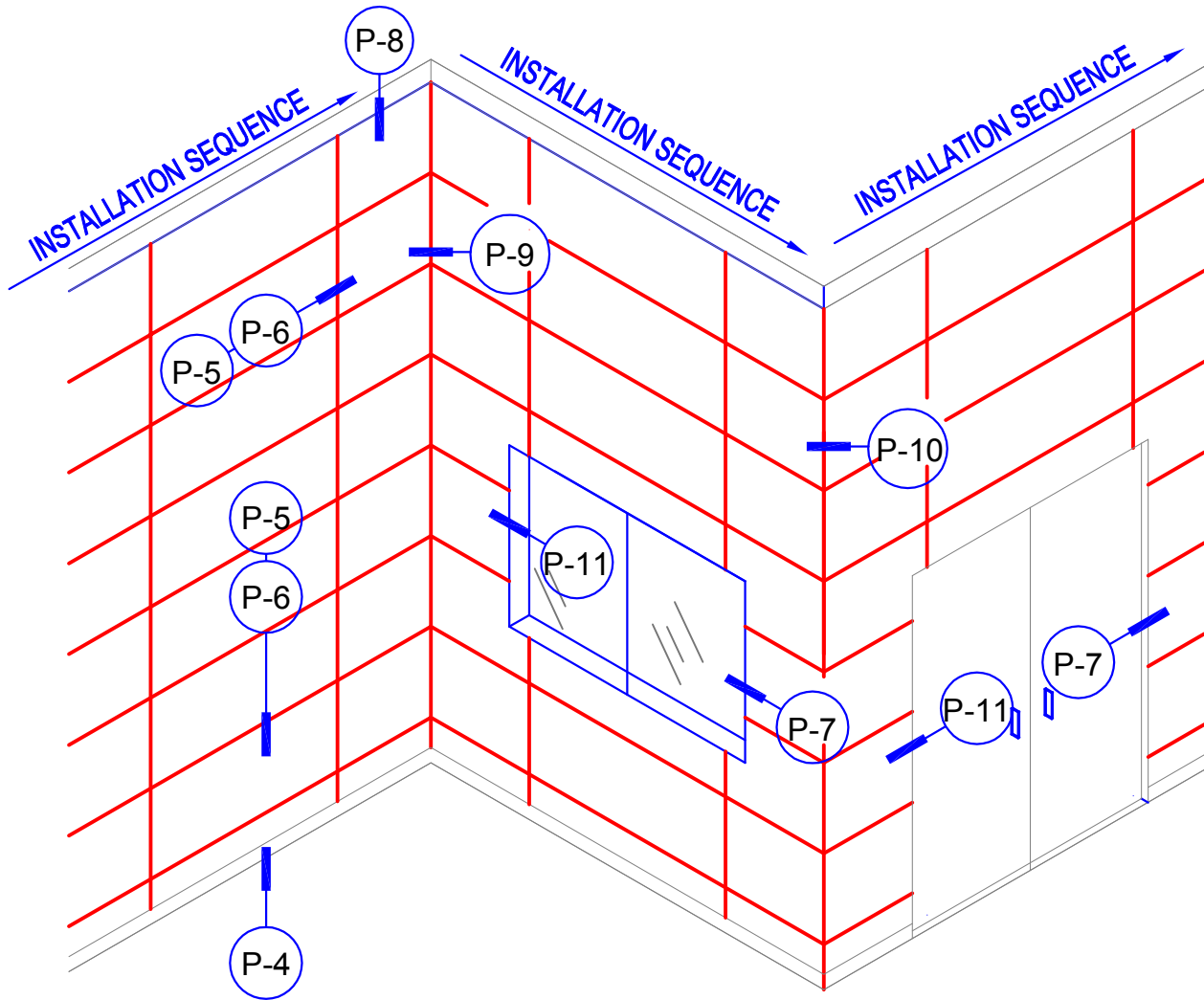
RAIN SCREEN PRESSURE EQUALIZED  
DRY-JOINT SYSTEM



**EAST COAST**  
METAL SYSTEMS

P.O. Box 217, 407 53RD STREET  
BELLAIRE, OHIO 43906  
(740) 676-2400  
(740) 671-8760 Fax  
www.ecmsinc.net  
ecms@ecmsinc.net

## EC-200 COMPOSITE PANEL SYSTEM



### ABBREVIATIONS

PLATE = ALUM. PLATE  
B.O. = BY OTHERS  
O.A. = OVERALL PANEL  
SYSTEM DIMENSION  
P.D. = PANEL DIMENSION  
P.H. = PANEL HEIGHT  
P.W. = PANEL WIDTH

### INDEX

(P-2): SYSTEM OVERVIEW  
(P-3): EXTRUSIONS  
(P-4) - (P-11): SYSTEM DETAILS

# EC-250

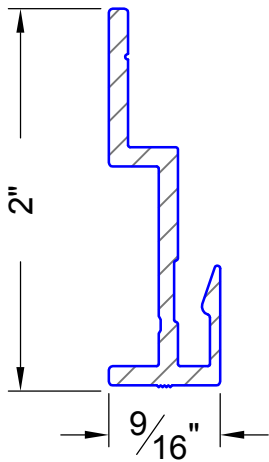
RAIN SCREEN PRESSURE EQUALIZED  
DRY-JOINT SYSTEM



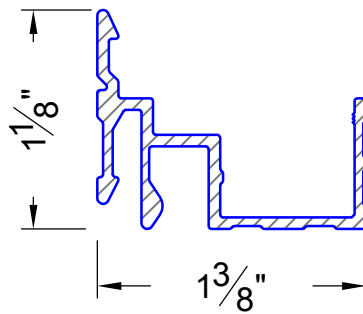
**EAST COAST**  
METAL SYSTEMS

P.O. Box 217, 407 53RD STREET  
BELLAIRE, OHIO 43906  
(740) 676-2400  
(740) 671-8760 Fax  
www.ecmsinc.net  
ecms@ecmsinc.net

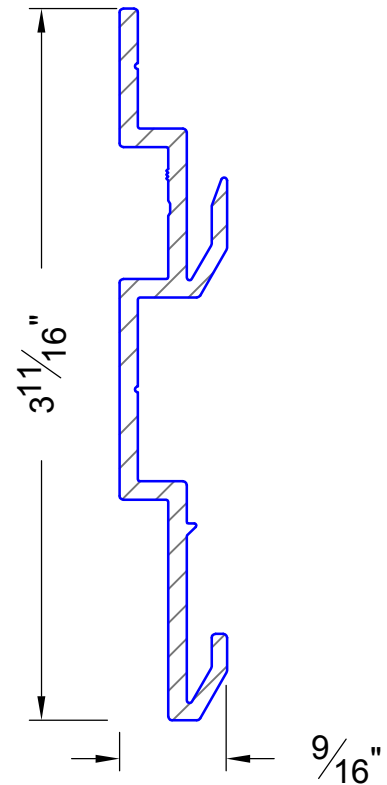
## ATTACHMENT EXTRUSIONS



EC-201 EXTRUSION  
(STARTER STRIP)



EC-202  
PANEL EXTRUSION



EC-203  
1/2" JOINT CLIP

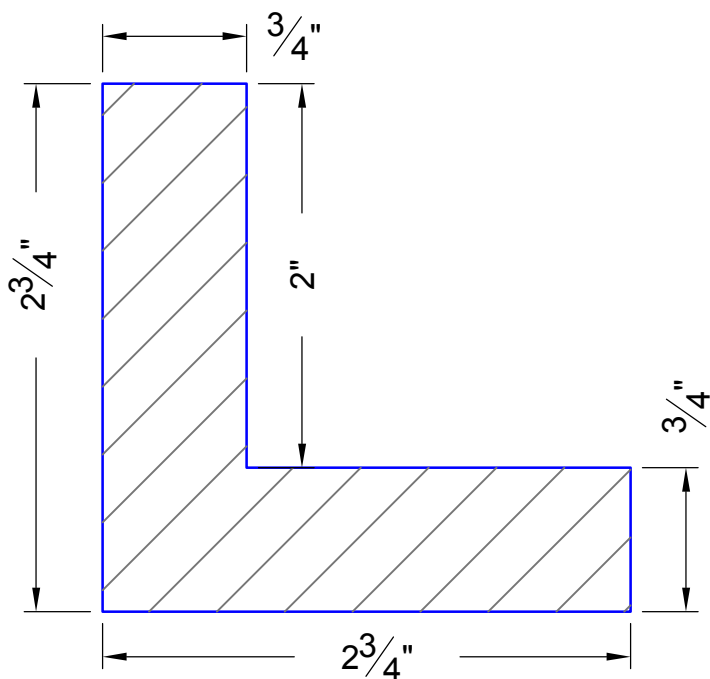


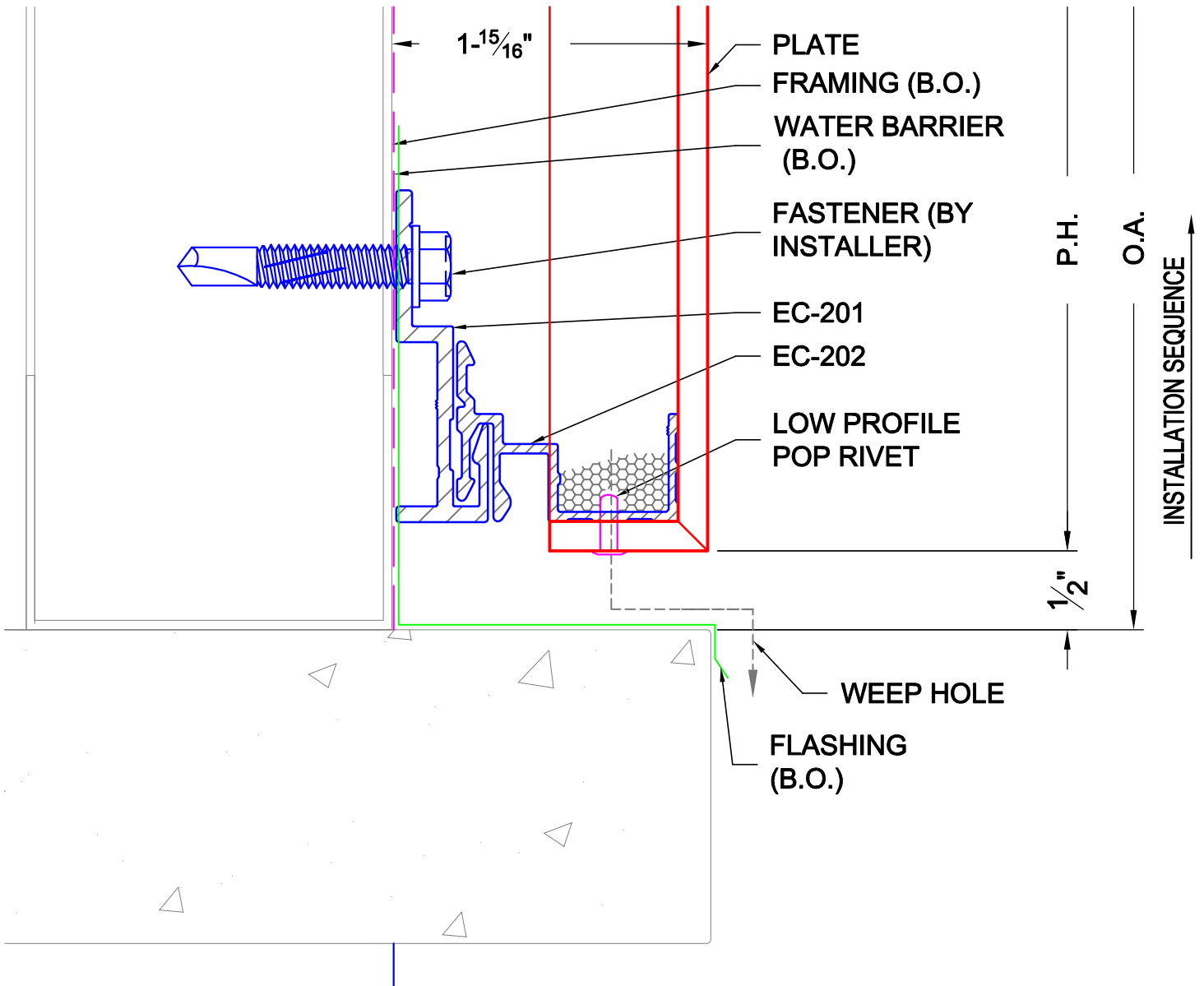
PLATE PANEL RETURN REINFORCEMENT

# EC-250

RAIN SCREEN PRESSURE EQUALIZED  
DRY-JOINT SYSTEM



P.O. Box 217, 407 53RD STREET  
BELLAIRE, OHIO 43906  
(740) 676-2400  
(740) 671-8760 Fax  
www.ecmsinc.net  
ecms@ecmsinc.net



## SILL CONDITION

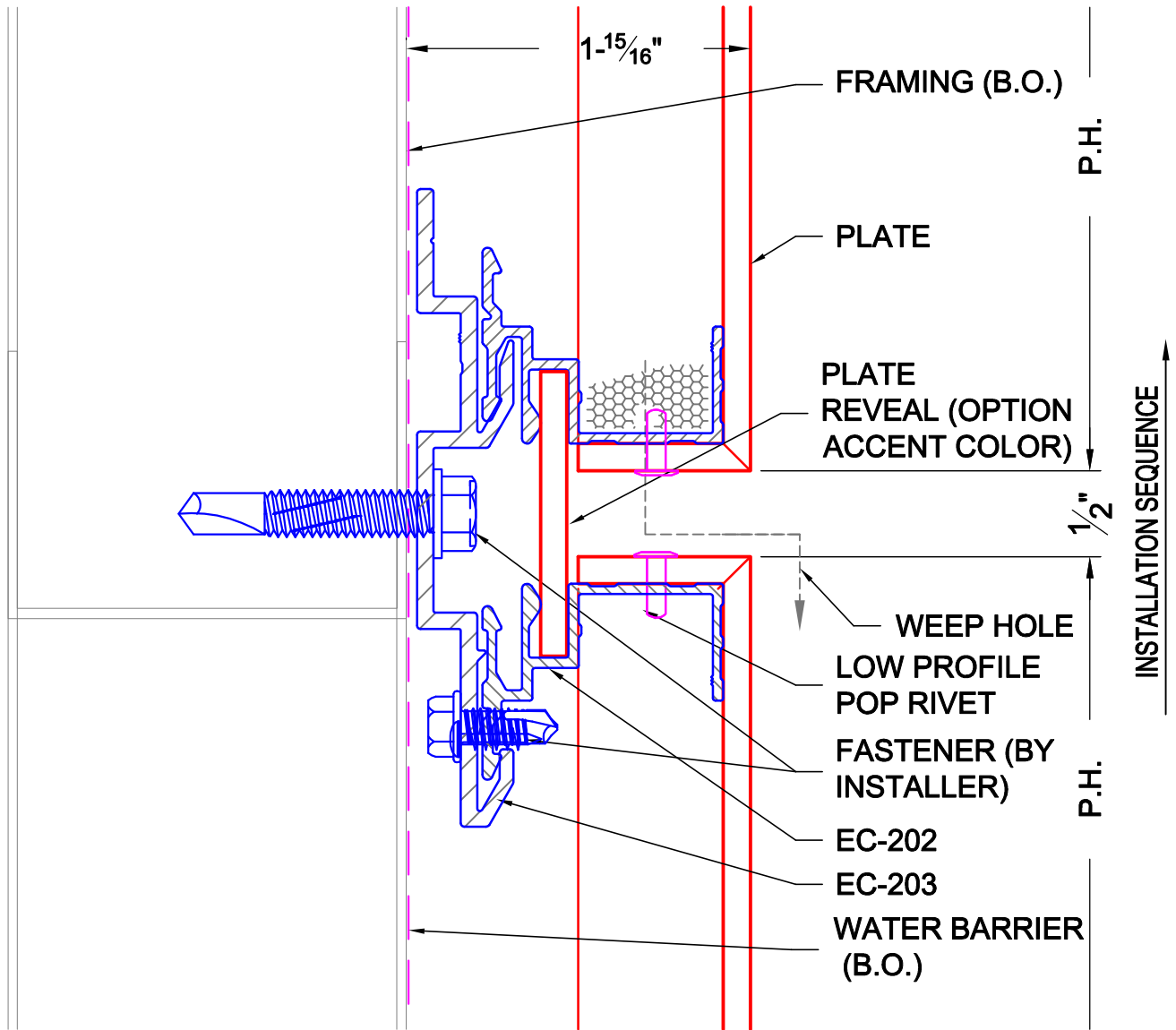
1:1

# EC-250

RAIN SCREEN PRESSURE EQUALIZED  
DRY-JOINT SYSTEM



P.O. Box 217, 407 53RD STREET  
BELLAIRE, OHIO 43906  
(740) 676-2400  
(740) 671-8760 Fax  
www.ecmsinc.net  
ecms@ecmsinc.net



## HORIZONTAL / VERTICAL JOINT- TYPICAL JOINT

1:1

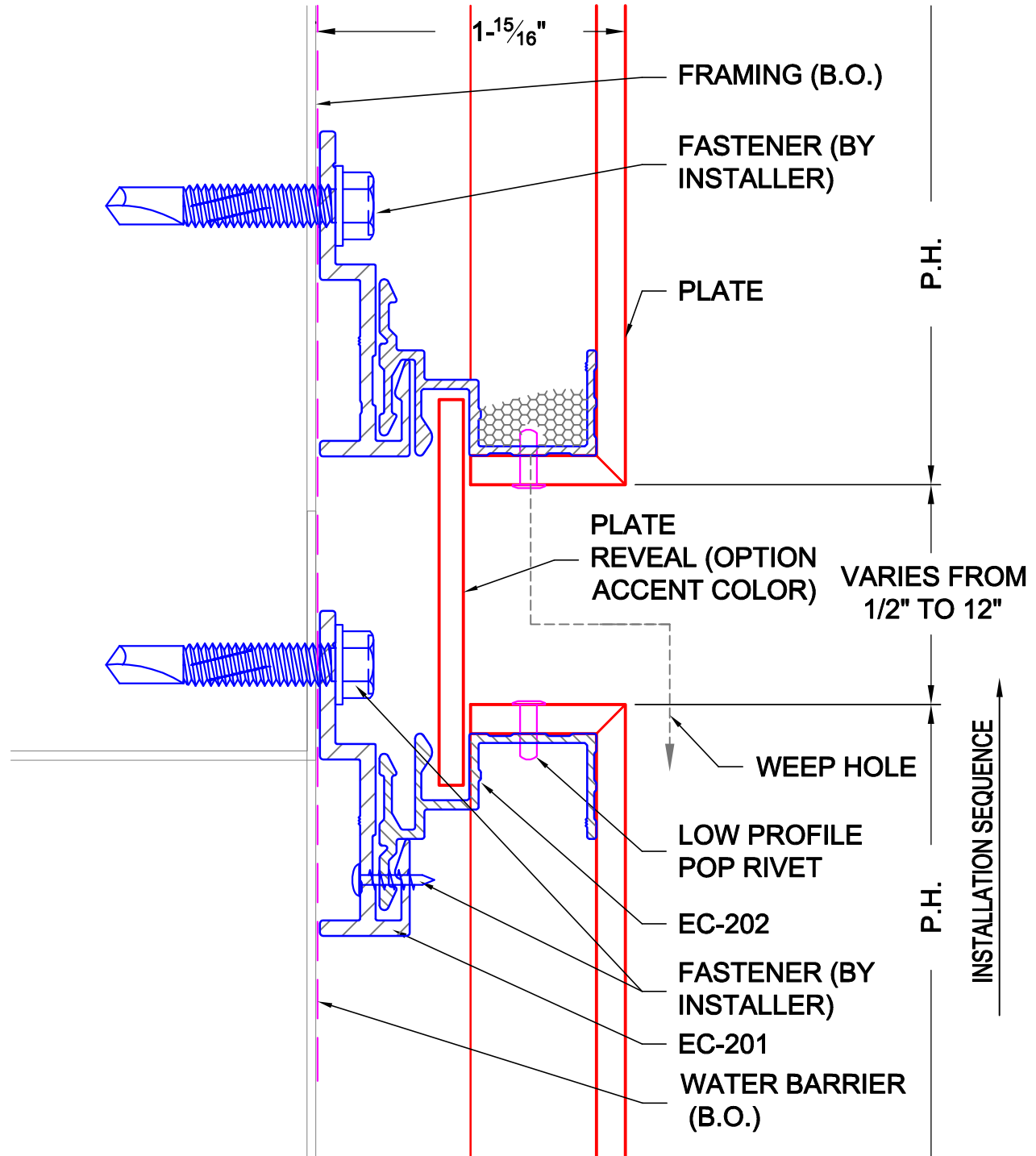
# EC-250

RAIN SCREEN PRESSURE EQUALIZED  
DRY-JOINT SYSTEM



**EAST COAST**  
METAL SYSTEMS

P.O. Box 217, 407 53RD STREET  
BELLAIRE, OHIO 43906  
(740) 676-2400  
(740) 671-8760 Fax  
www.ecmsinc.net  
ecms@ecmsinc.net



## HORIZONTAL / VERTICAL JOINT- WIDE JOINT

1:1

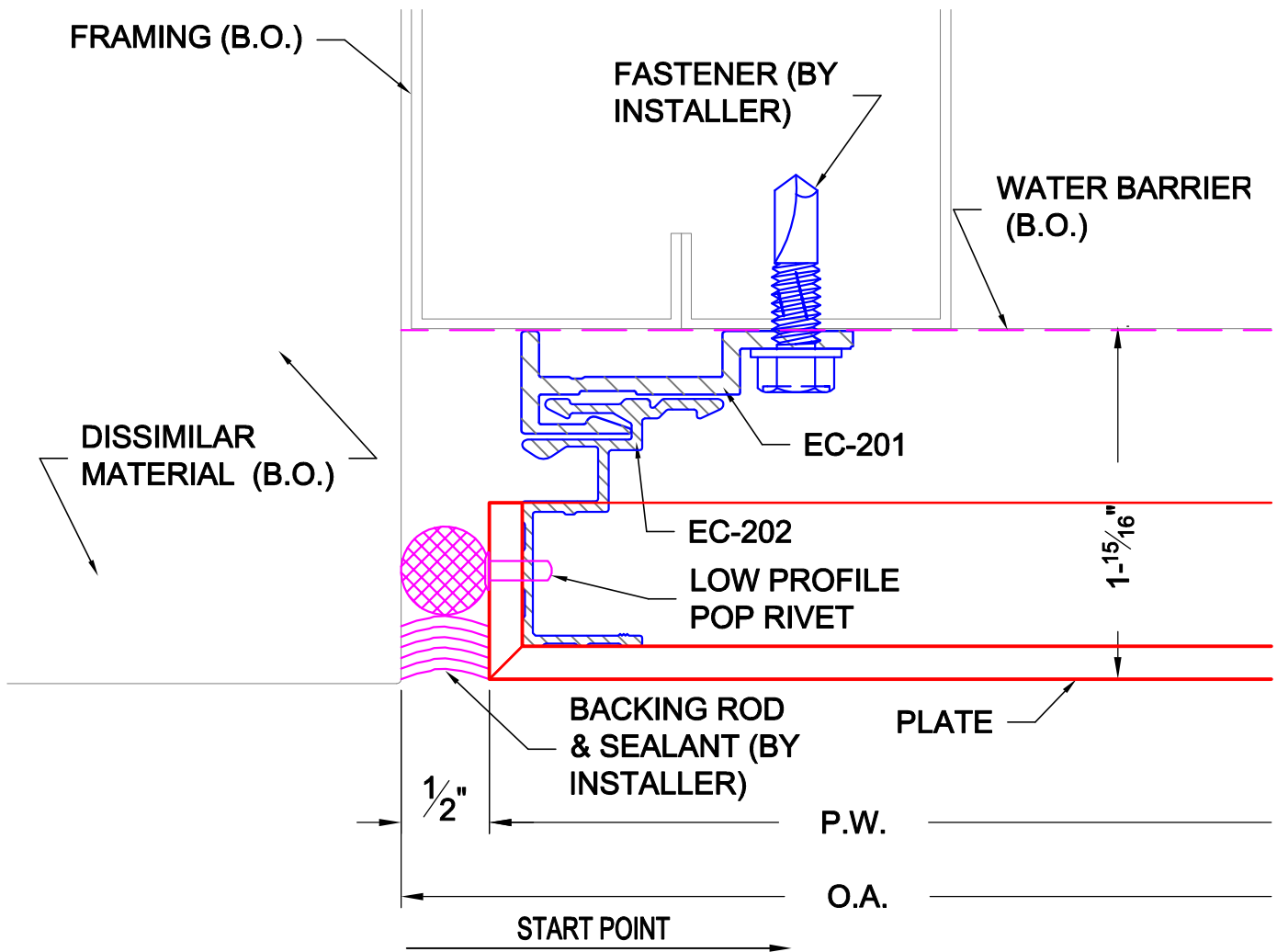
# EC-250

RAIN SCREEN PRESSURE EQUALIZED  
DRY-JOINT SYSTEM



**EAST COAST**  
METAL SYSTEMS

P.O. Box 217, 407 53RD STREET  
BELLAIRE, OHIO 43906  
(740) 676-2400  
(740) 671-8760 Fax  
www.ecmsinc.net  
ecms@ecmsinc.net



## START CONDITION

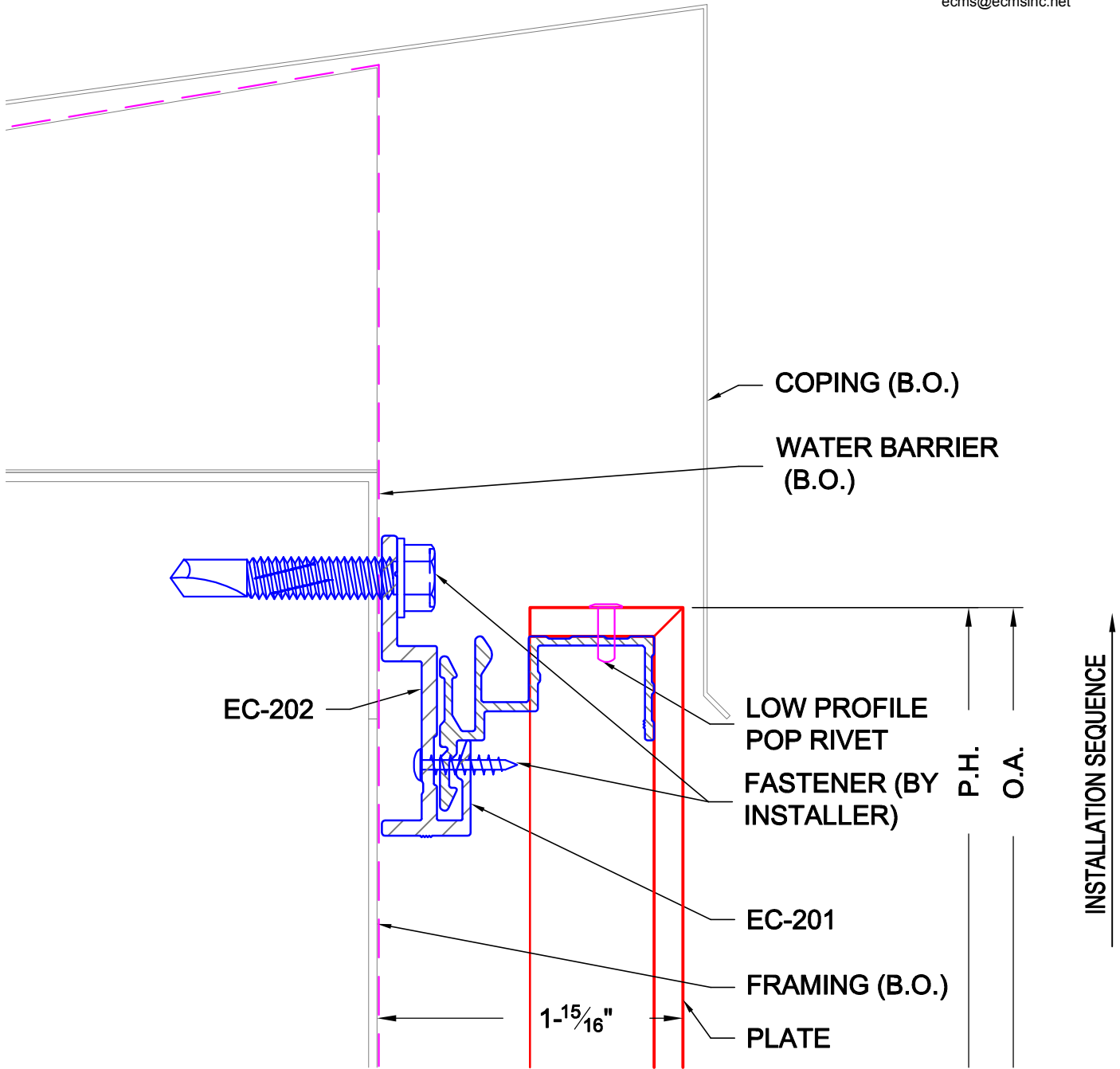
1:1

# EC-250

RAIN SCREEN PRESSURE EQUALIZED  
DRY-JOINT SYSTEM



P.O. Box 217, 407 53RD STREET  
BELLAIRE, OHIO 43906  
(740) 676-2400  
(740) 671-8760 Fax  
www.ecmsinc.net  
ecms@ecmsinc.net



## PARAPET CONDITION

1:1



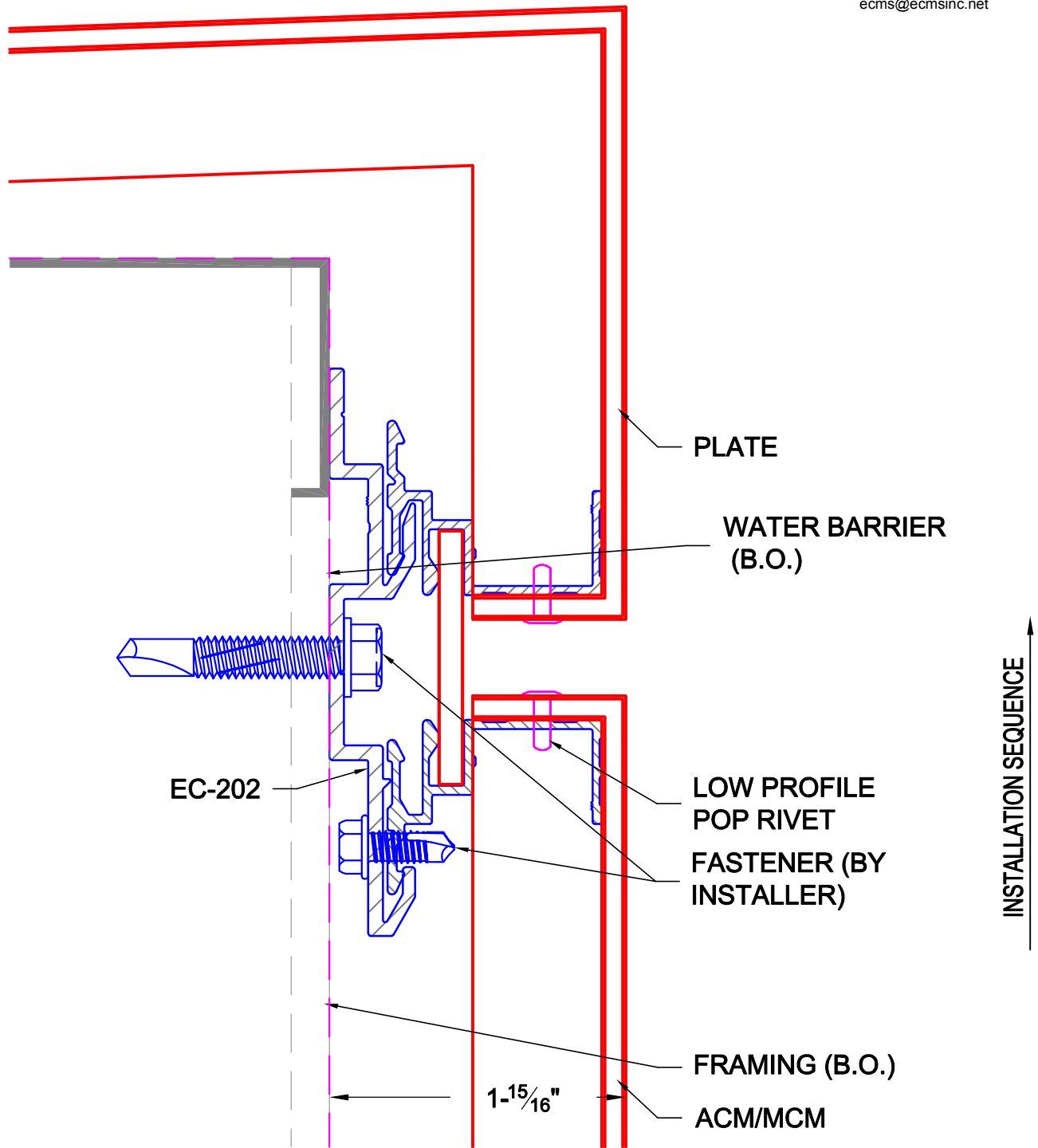
# EC-250

RAIN SCREEN PRESSURE EQUALIZED  
DRY-JOINT SYSTEM



**EAST COAST**  
METAL SYSTEMS

P.O. Box 217, 407 53RD STREET  
BELLAIRE, OHIO 43906  
(740) 676-2400  
(740) 671-8760 Fax  
www.ecmsinc.net  
ecms@ecmsinc.net

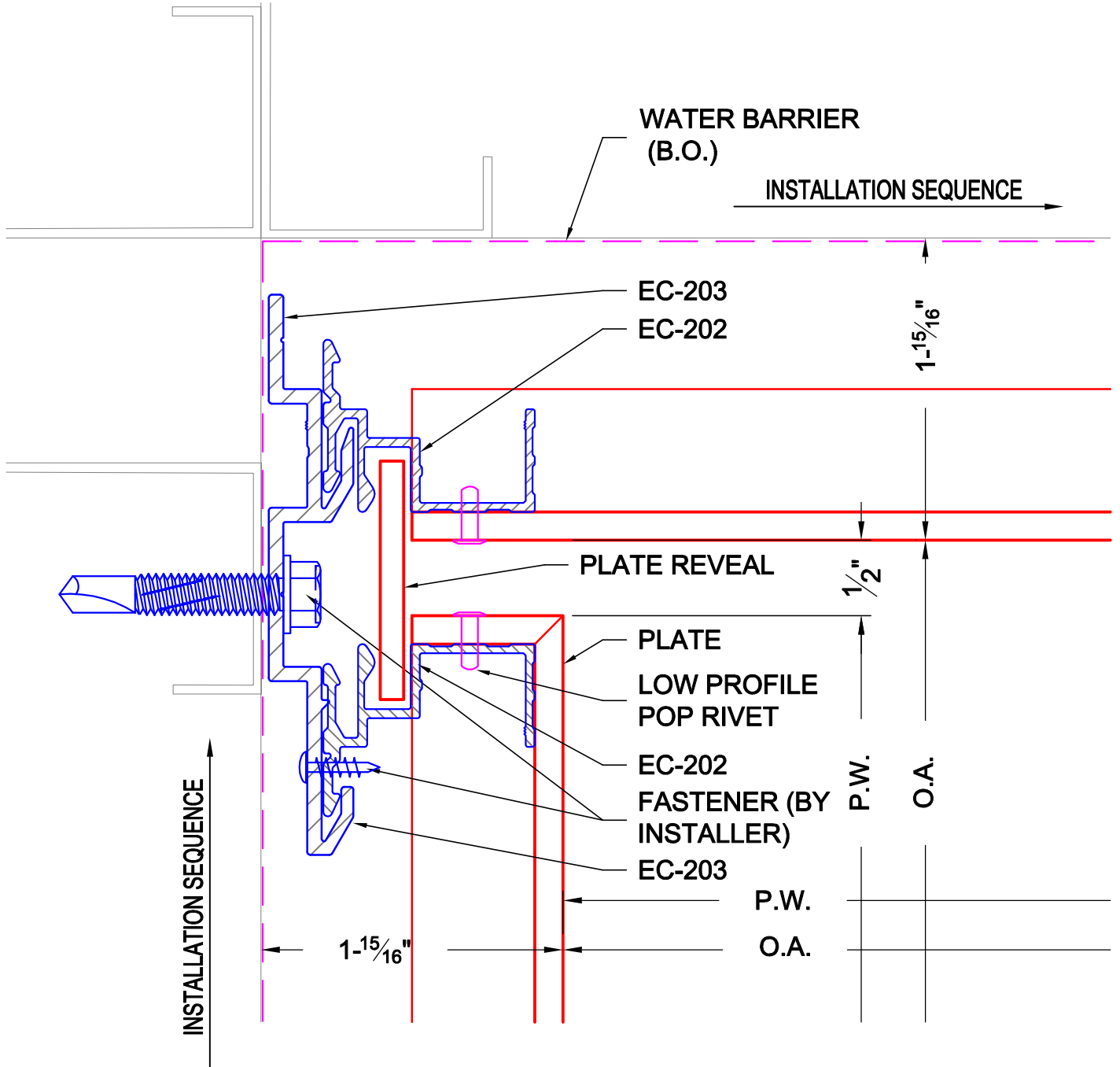


## COPING CONDITION

1:1

# EC-250

RAIN SCREEN PRESSURE EQUALIZED  
DRY-JOINT SYSTEM



## INSIDE CORNER CONDITION

1:1

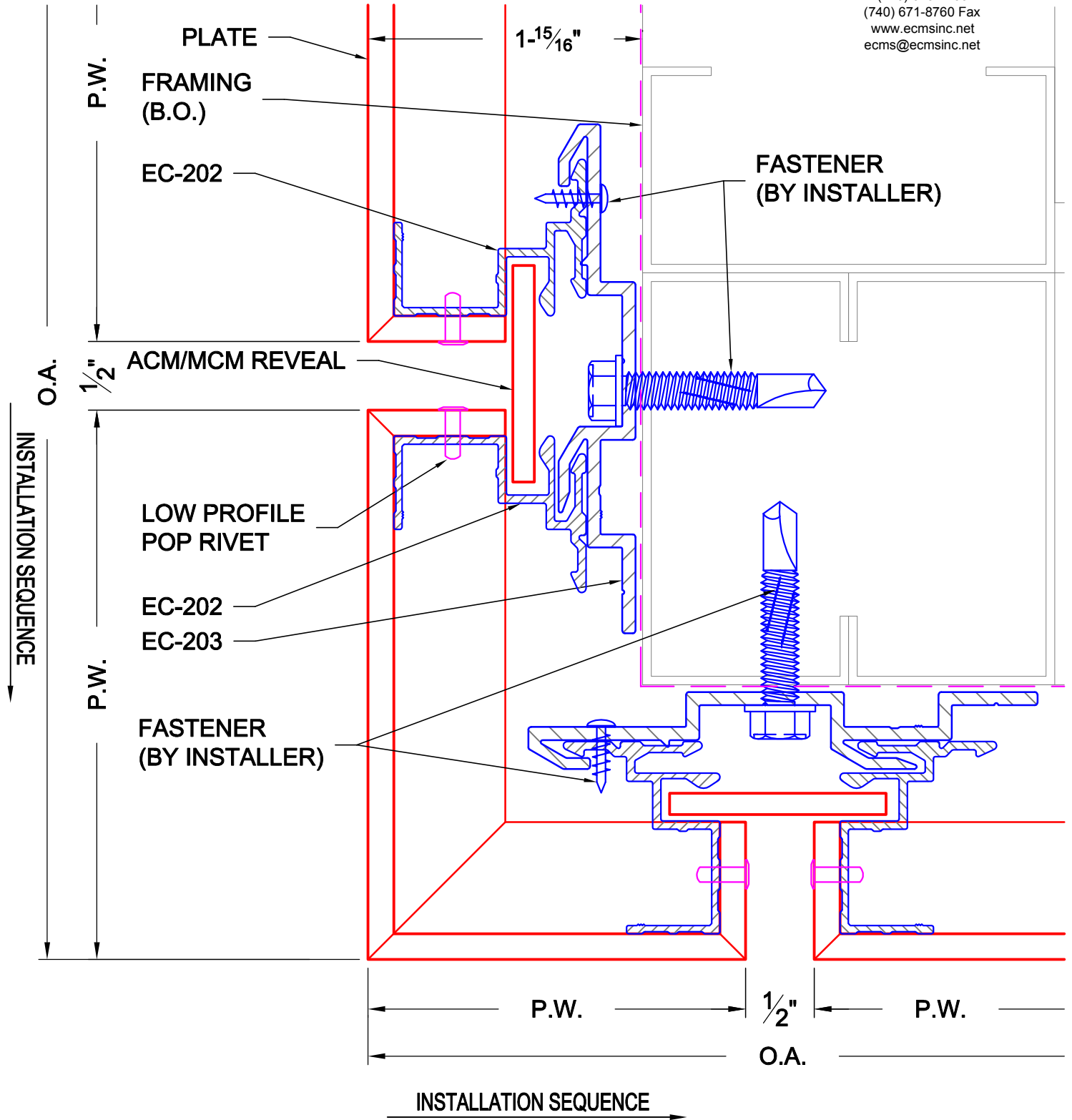
# EC-250

RAIN SCREEN PRESSURE EQUALIZED  
DRY-JOINT SYSTEM



**EAST COAST**  
METAL SYSTEMS

P.O. Box 217, 407 53RD STREET  
BELLAIRE, OHIO 43906  
(740) 676-2400  
(740) 671-8760 Fax  
www.ecmsinc.net  
ecms@ecmsinc.net



## OUTSIDE CORNER

1:1

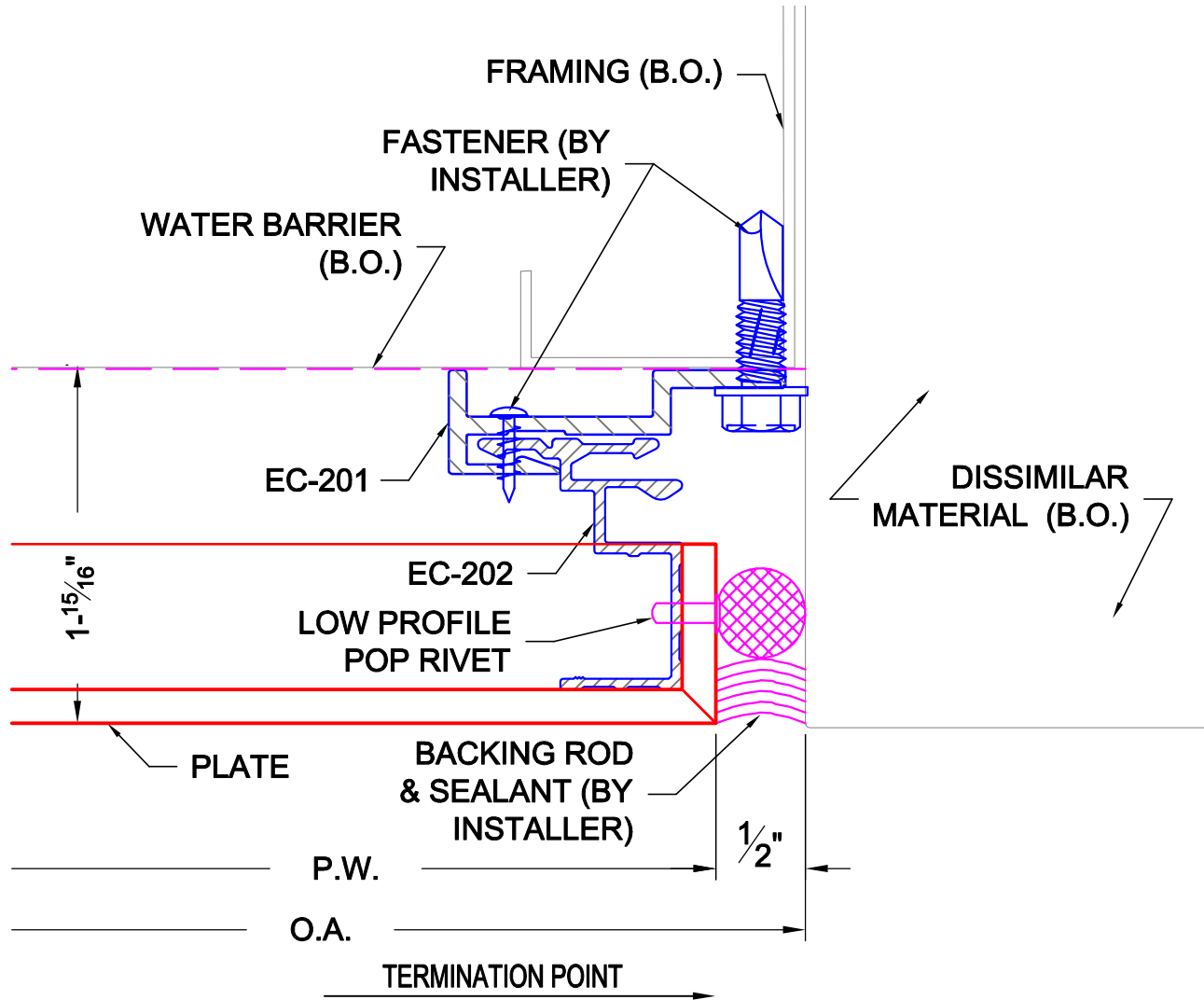
# EC-250

RAIN SCREEN PRESSURE EQUALIZED  
DRY-JOINT SYSTEM



**EAST COAST**  
METAL SYSTEMS

P.O. Box 217, 407 53RD STREET  
BELLAIRE, OHIO 43906  
(740) 676-2400  
(740) 671-8760 Fax  
www.ecmsinc.net  
ecms@ecmsinc.net



## TERMINATION CONDITION

1:1