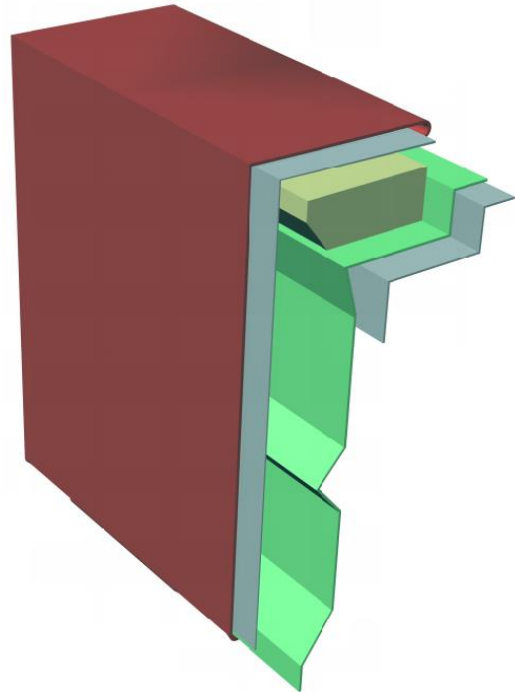
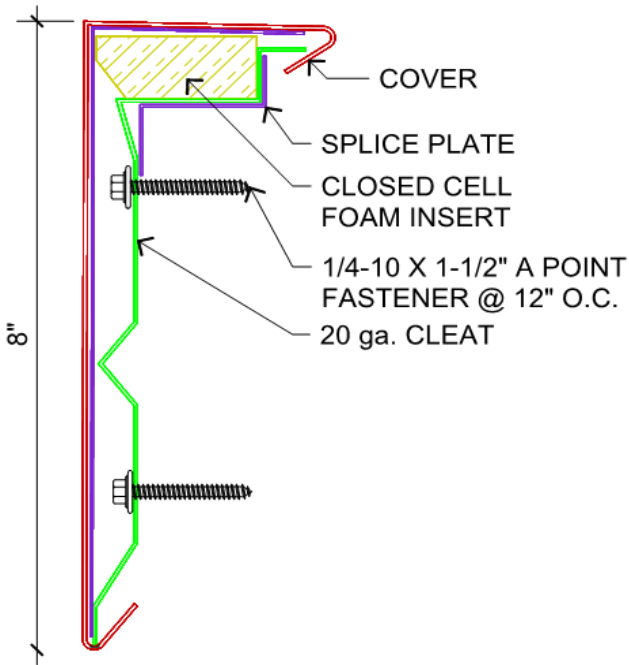


EC Edge 1000

8" Gravel Stop System



System Details	
Cover:	0.040" Aluminum (nominal)
Cleat:	20 ga. Galvanized Steel
Approved Fastener(s):	1/4-10 X 1-1/2" A Point (@12" O.C.)
Surface:	Smooth
Color:	Manufacturer Standard, <i>Custom Available</i>
Max System Width:	8" (203.2mm)
Min. System Width:	4" (101.6mm)
Max System Length:	144" (3657.6mm) ¹
Min. System Length:	3" (76.2mm)
Performance Testing	
ASTM A370-10	Tensile Test, Pass ²
ASTM B557-10	Tensile Test, Pass ²
Notes	
1. The EC Edge 1000 is a continuous system spanning 10'(3048mm)- 12'(3657.6mm) individual segments end to end to satisfy any total length requirements.	
2. Testing material available upon request.	