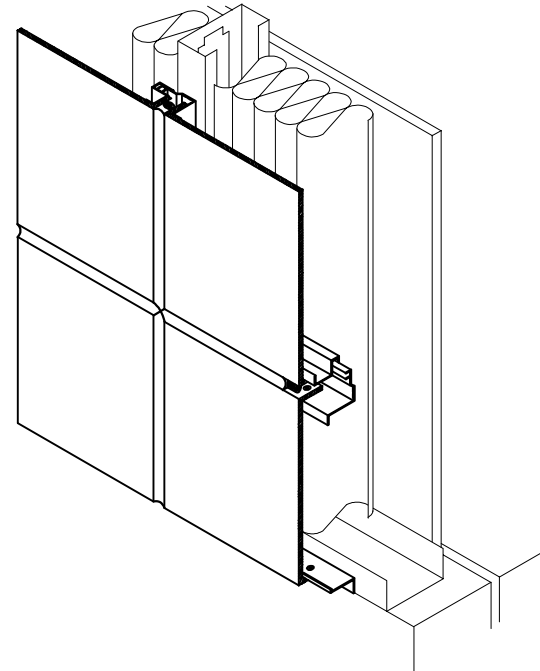
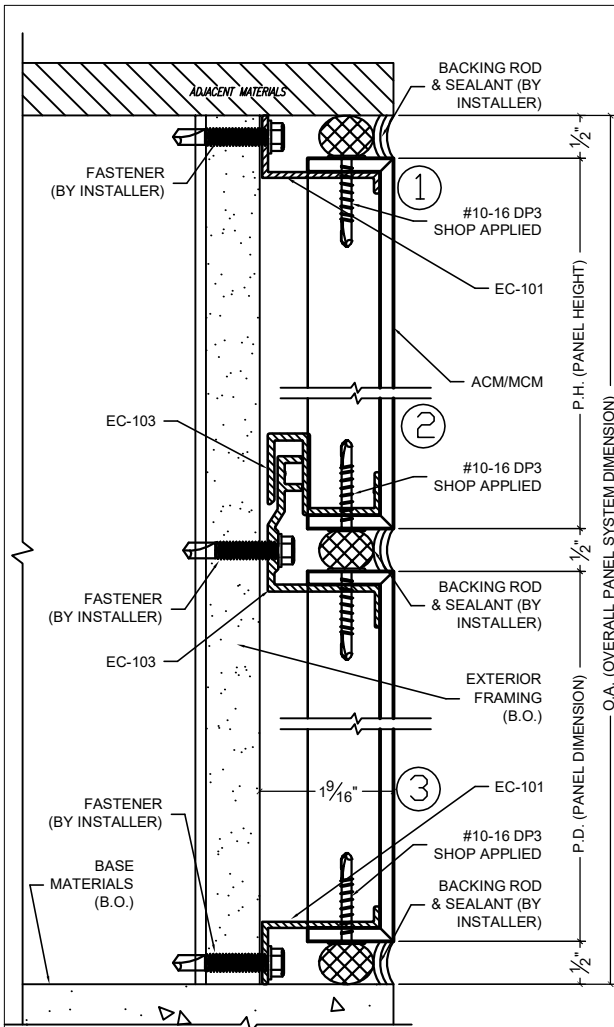


# EC-100

## ROUTE & RETURN WET JOINT SYSTEM



- ① TYPICAL HEAD JOINT
- ② TYPICAL HORIZONTAL/VERTICAL JOINT
- ③ TYPICAL BASE JOINT

EC-100 PANEL SYSTEM - ISOMETRIC

## EC-100 Wet Joint System

The EC-100 Aluminum Composite Panel Barrier System utilizes panel length, male/female extrusions, that are interlocking and easily installed. The EC-100 is a wet-joint system and is sealed with a silicone sealant. The EC-100 is routed and fabricated into "formed pans" that are attached to the EC-100 extrusions. The EC-100 system can be used on projects varying from the most simple to the most complex. The EC-100's versatility allows installation over any structurally sound surface.

The EC-100 System is compatible with 4mm, 6mm, & 8mm MCM Panels.

# EC-100

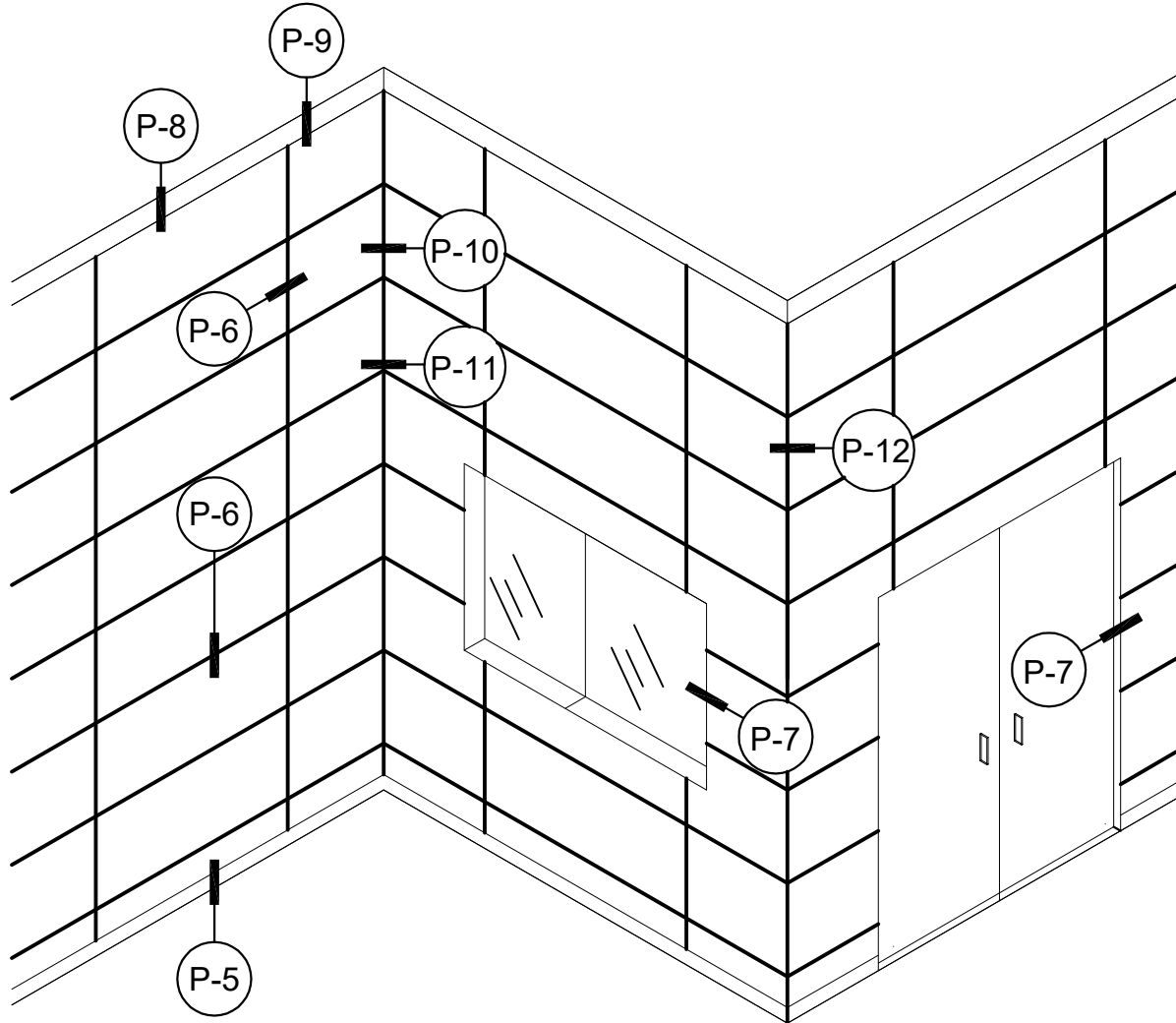
ROUTE & RETURN CAULKED SYSTEM



East Coast Metal Systems, Inc  
625 Distribution Road  
Triadelphia, WV 26059  
www.ecmsinc.net

P: (304) 909-4220 F: (304) 909 4242

## EC-100 METAL COMPOSITE PANEL SYSTEM



### ABBREVIATIONS

ACM/MCM = METAL COMPOSITE MATERIAL

B.O. = BY OTHERS

O.A. = OVERALL PANEL

SYSTEM DIMENSION

P.D. = PANEL DIMENSION

P.H. = PANEL HEIGHT

P.W. = PANEL WIDTH

### INDEX

(P-2) - (P-3): SYSTEM OVERVIEW

(P4): EXTRUSIONS

(P-5) - (P-13): SYSTEM DETAILS

# EC-100

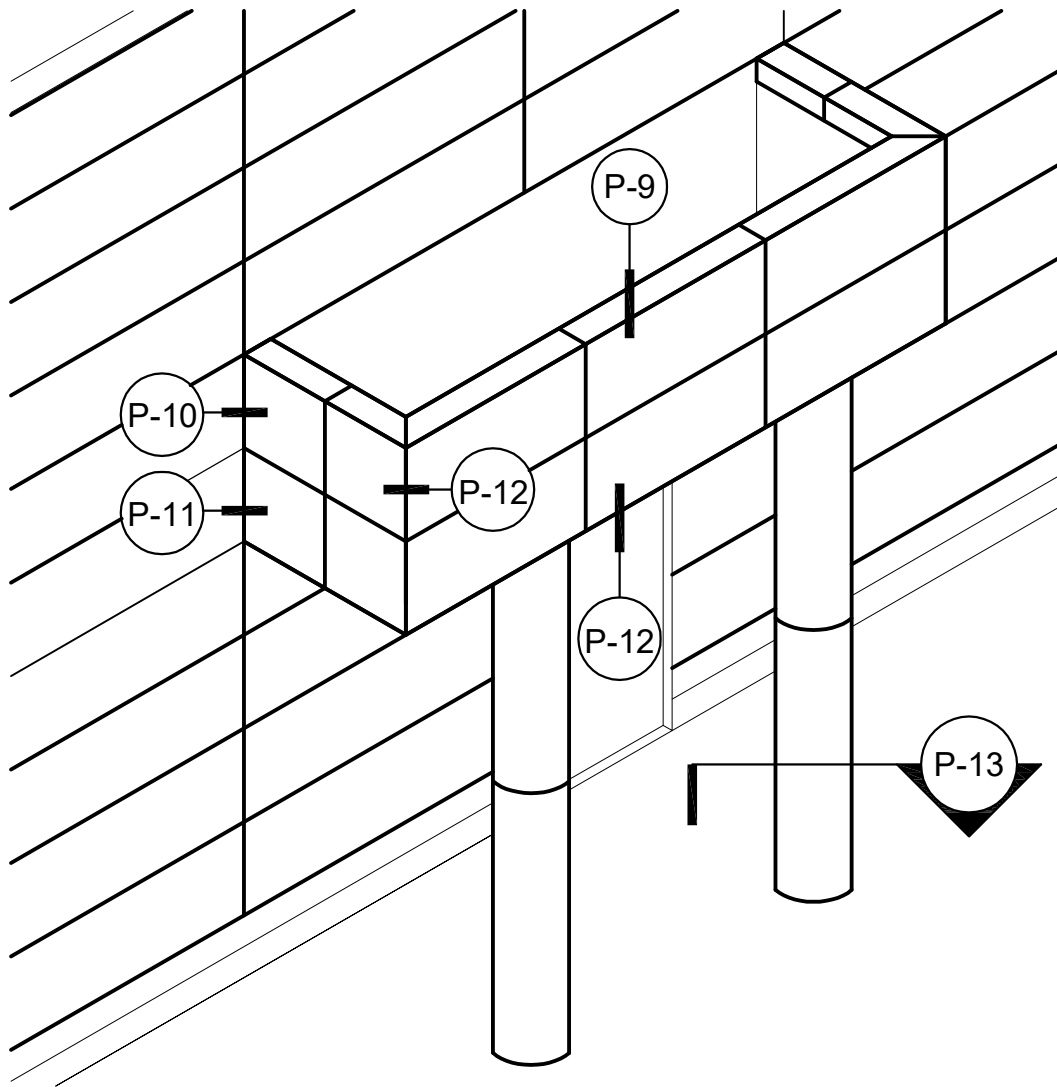
ROUTE & RETURN CAULKED SYSTEM



East Coast Metal Systems, Inc  
625 Distribution Road  
Triadelphia, WV 26059  
www.ecmsinc.net

P: (304) 909-4220 F: (304) 909 4242

## EC-100 METAL COMPOSITE PANEL SYSTEM CANOPY AND COLUMN WRAPS



# EC-100

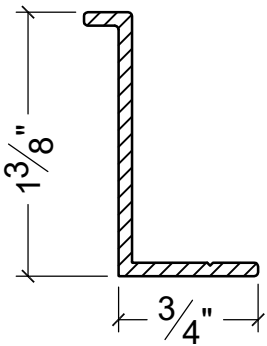
ROUTE & RETURN CAULKED SYSTEM



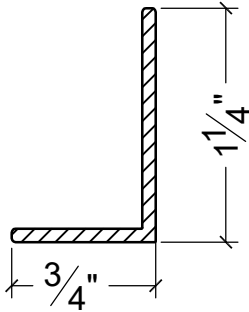
East Coast Metal Systems, Inc  
625 Distribution Road  
Triadelphia, WV 26059  
www.ecmsinc.net

P: (304) 909-4220 F: (304) 909 4242

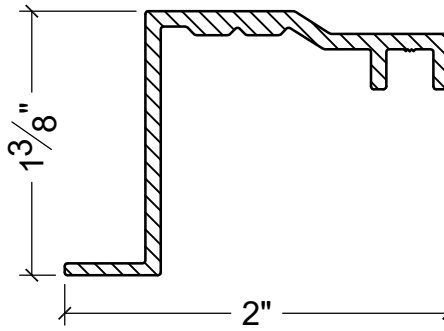
## ATTACHMENT EXTRUSIONS



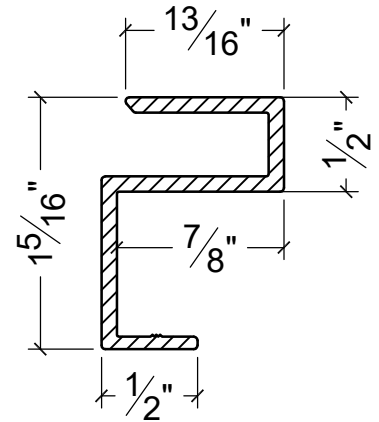
EC-101  
EDGE ANGLE



EC-104  
EDGE ANGLE



EC-102  
MALE CONNECTOR



EC-103  
FEMALE CONNECTOR

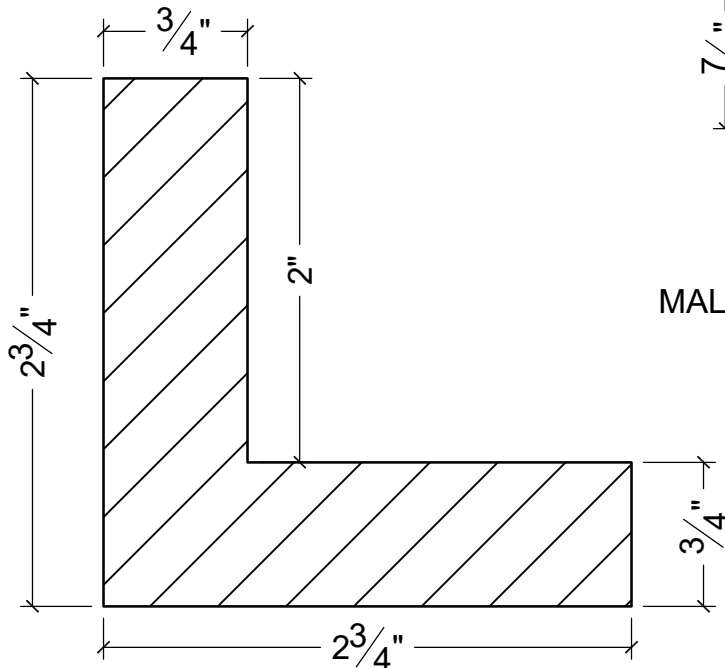
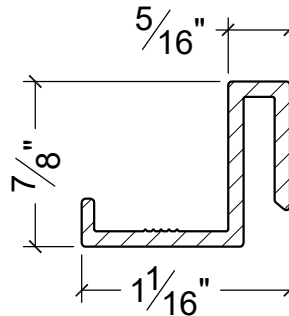
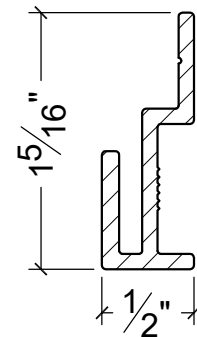


PLATE PANEL RETURN REINFORCEMENT



EC-105  
MALE CONNECTOR



EC-106  
FEMALE CONNECTOR

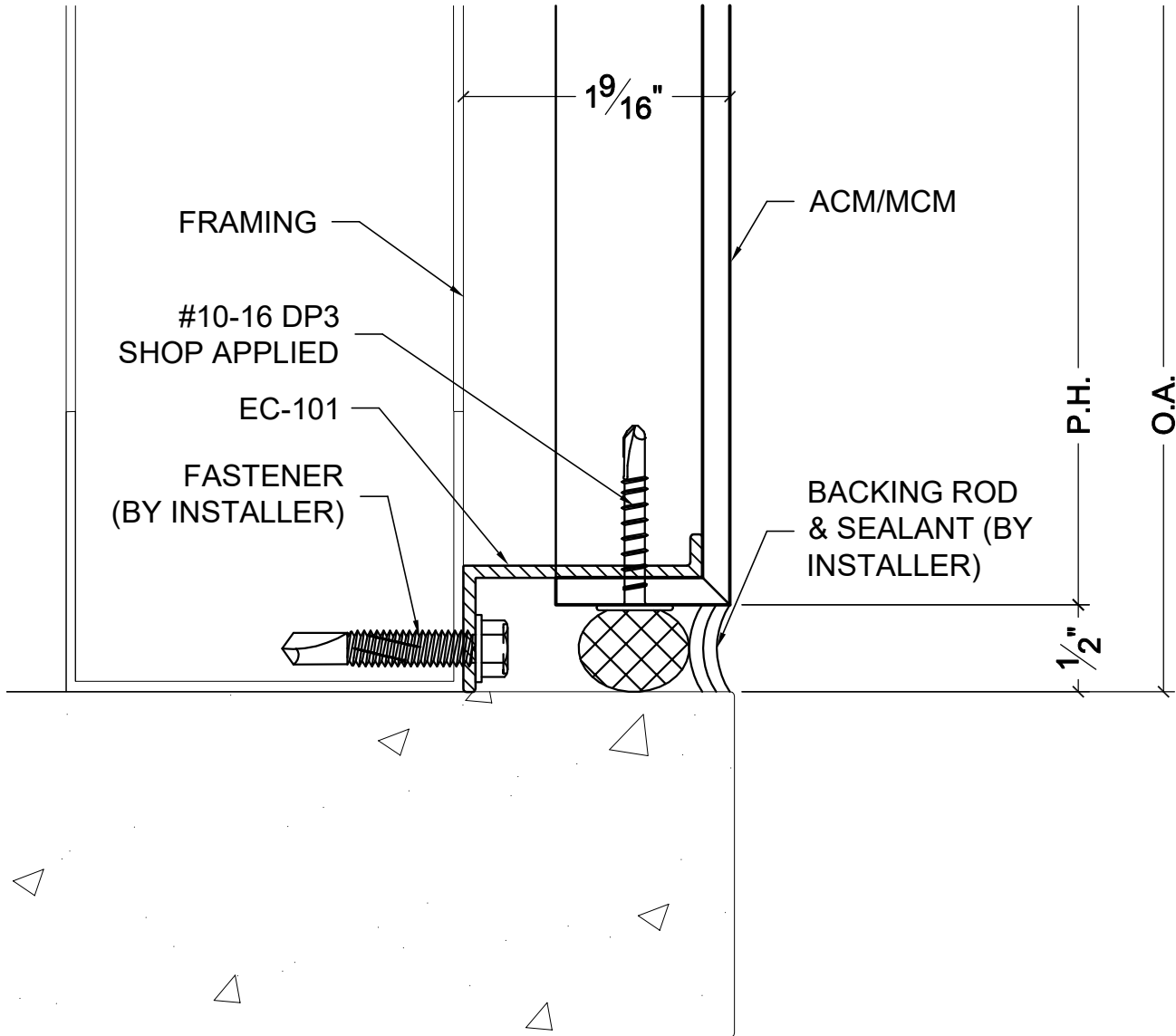
# EC-100

ROUTE & RETURN CAULKED SYSTEM



East Coast Metal Systems, Inc  
625 Distribution Road  
Triadelphia, WV 26059  
www.ecmsinc.net

P: (304) 909-4220 F: (304) 909 4242



## SILL CONDITION

1:1

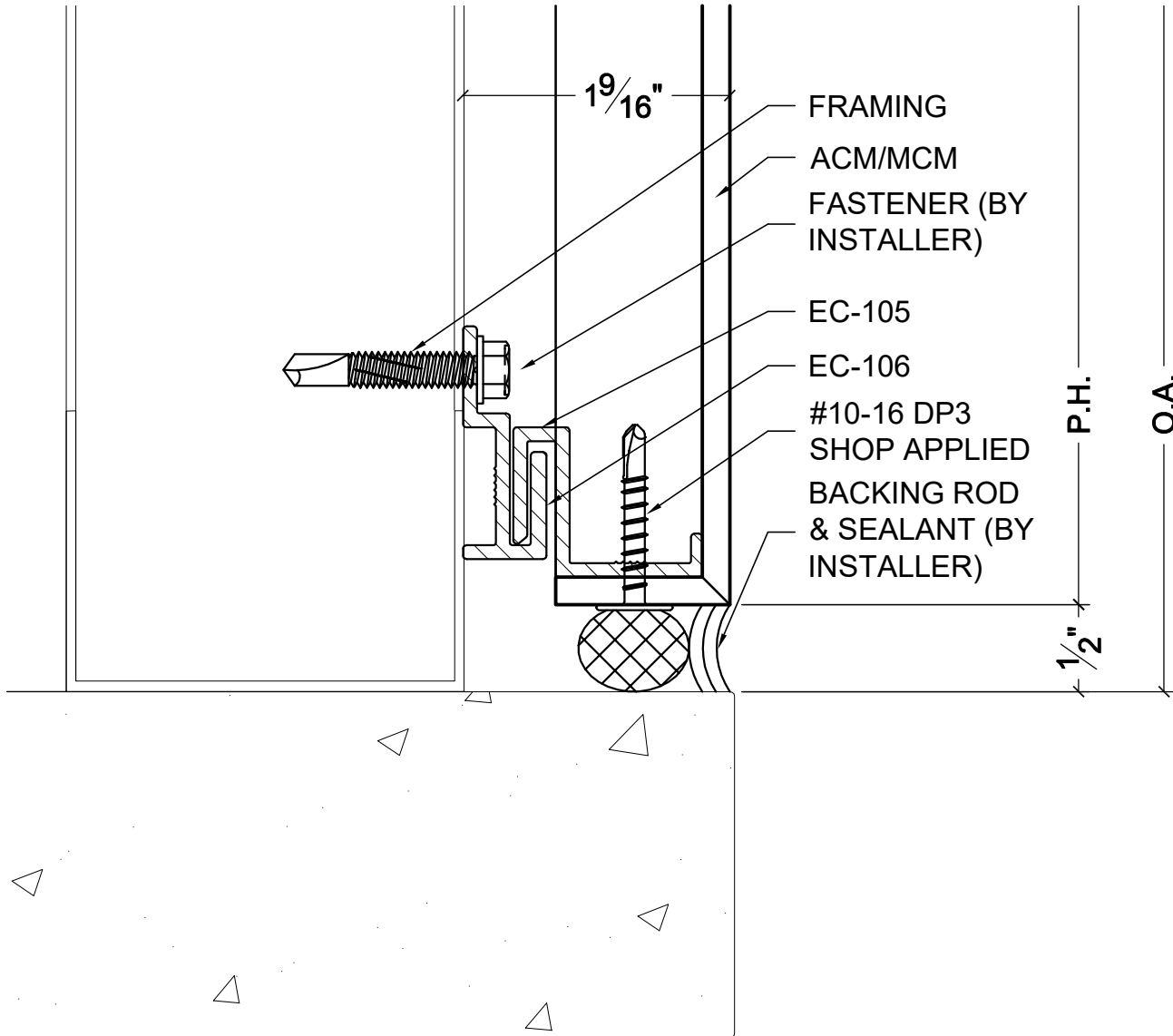
# EC-100

ROUTE & RETURN CAULKED SYSTEM



East Coast Metal Systems, Inc  
625 Distribution Road  
Triadelphia, WV 26059  
www.ecmsinc.net

P: (304) 909-4220 F: (304) 909 4242



## SILL CONDITION

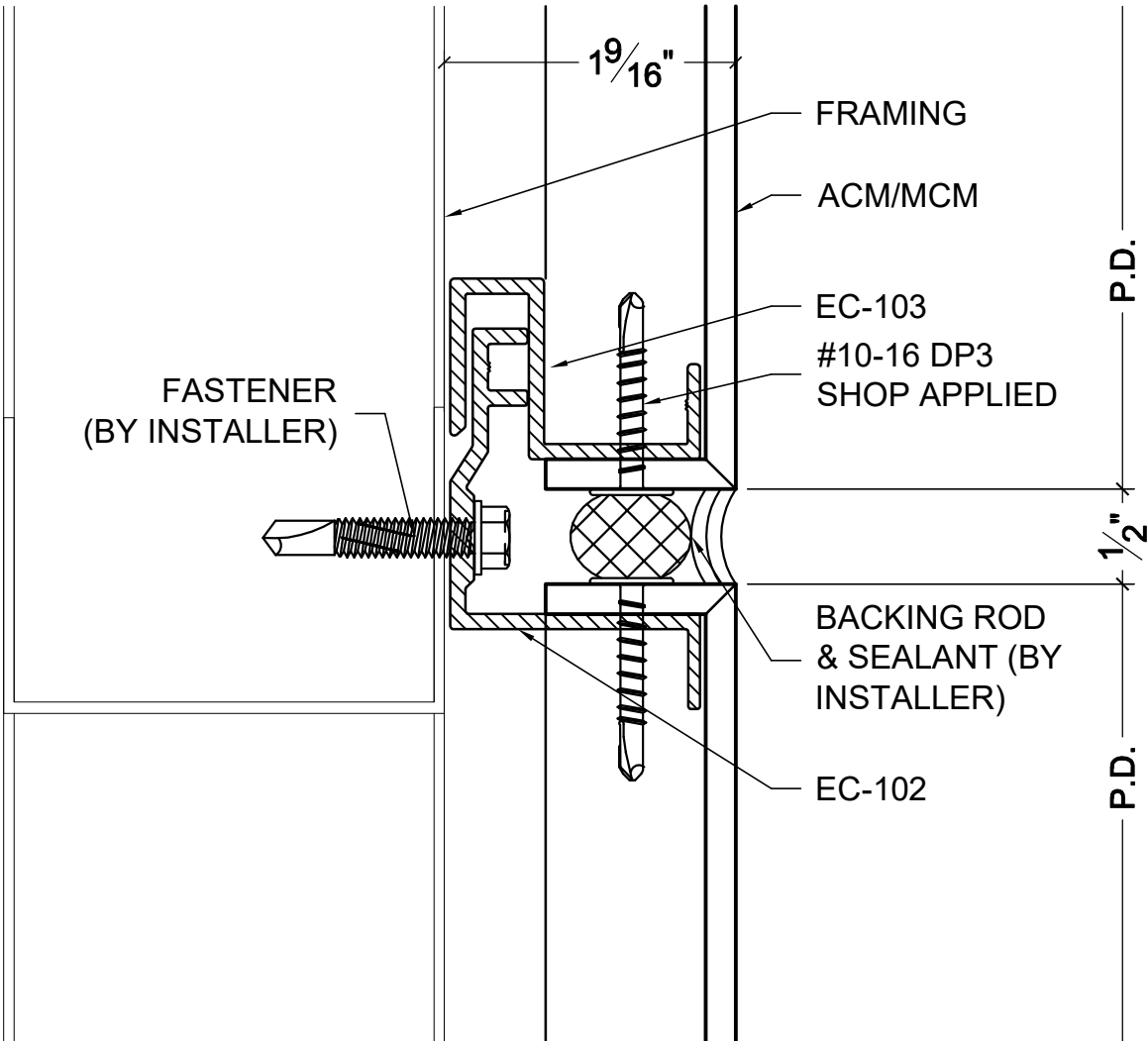
1:1

# EC-100

ROUTE & RETURN CAULKED SYSTEM



East Coast Metal Systems, Inc  
625 Distribution Road  
Triadelphia, WV 26059  
www.ecmsinc.net  
P: (304) 909-4220 F: (304) 909 4242



## HORIZONTAL/VERTICAL JOINT

1:1

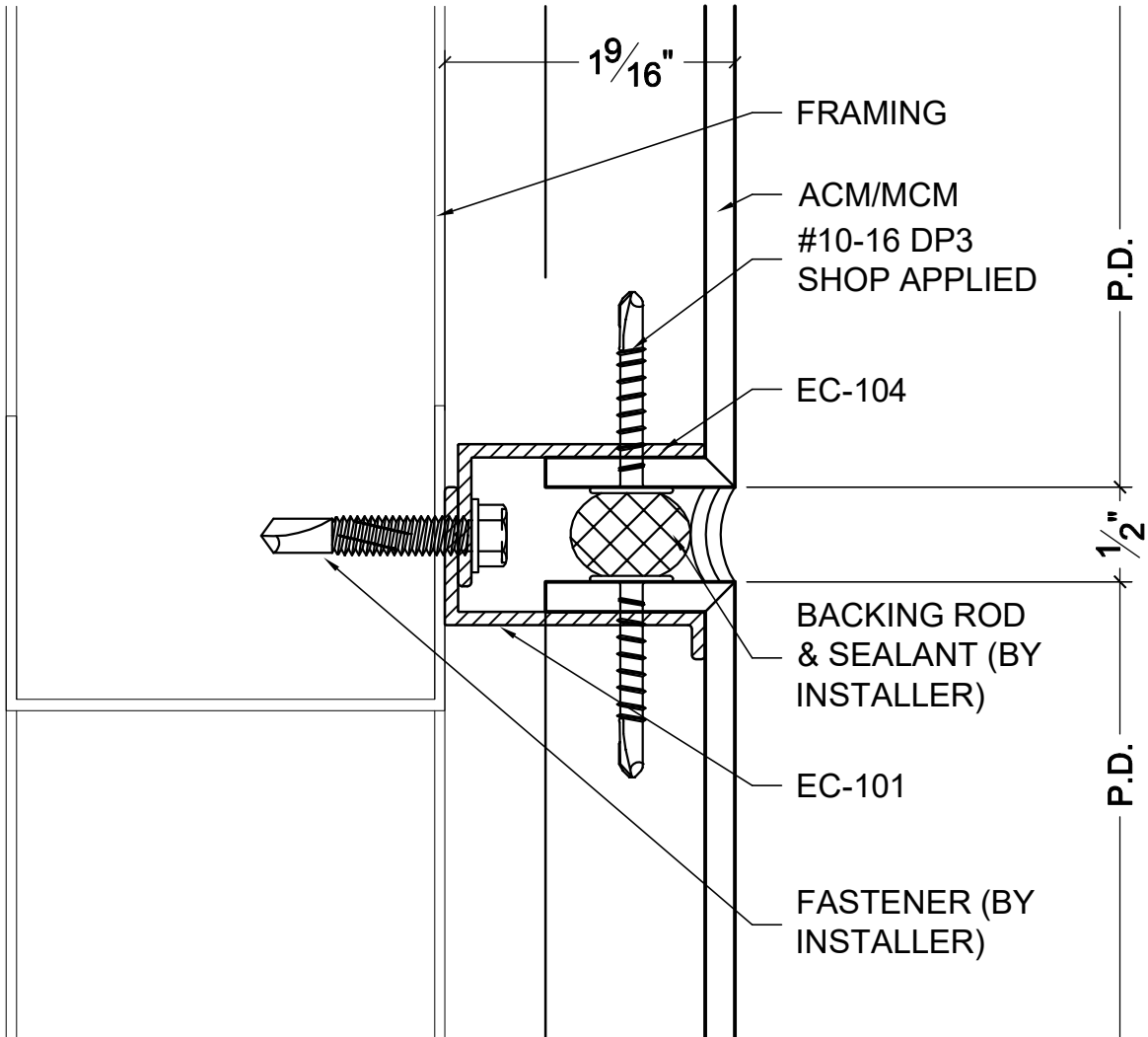
# EC-100

ROUTE & RETURN CAULKED SYSTEM



East Coast Metal Systems, Inc  
625 Distribution Road  
Triadelphia, WV 26059  
www.ecmsinc.net

P: (304) 909-4220 F: (304) 909 4242



## HORIZONTAL/VERTICAL JOINT

1:1

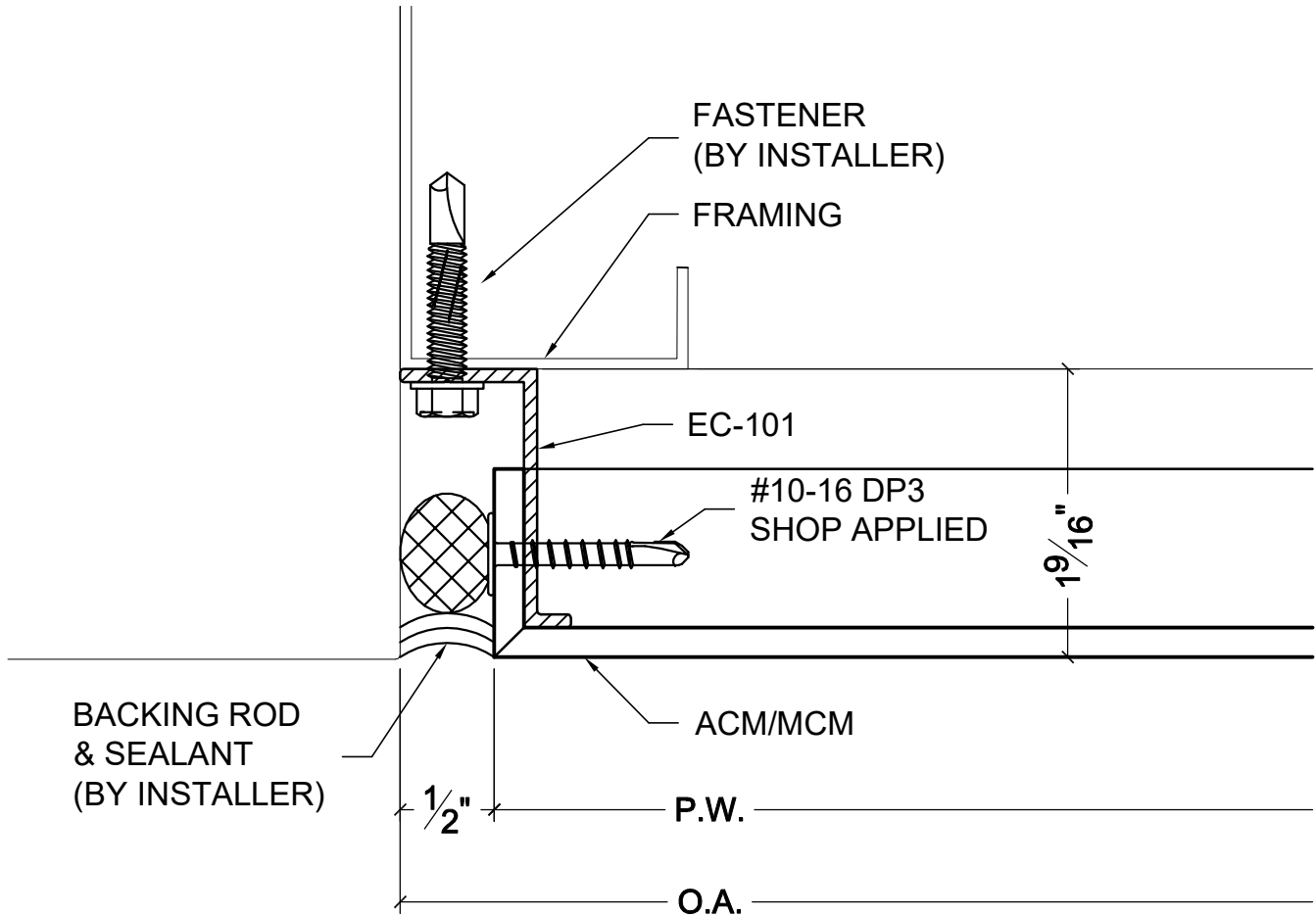


# EC-100

ROUTE & RETURN CAULKED SYSTEM



East Coast Metal Systems, Inc  
625 Distribution Road  
Triadelphia, WV 26059  
www.ecmsinc.net  
P: (304) 909-4220 F: (304) 909 4242



## EDGE CONDITION

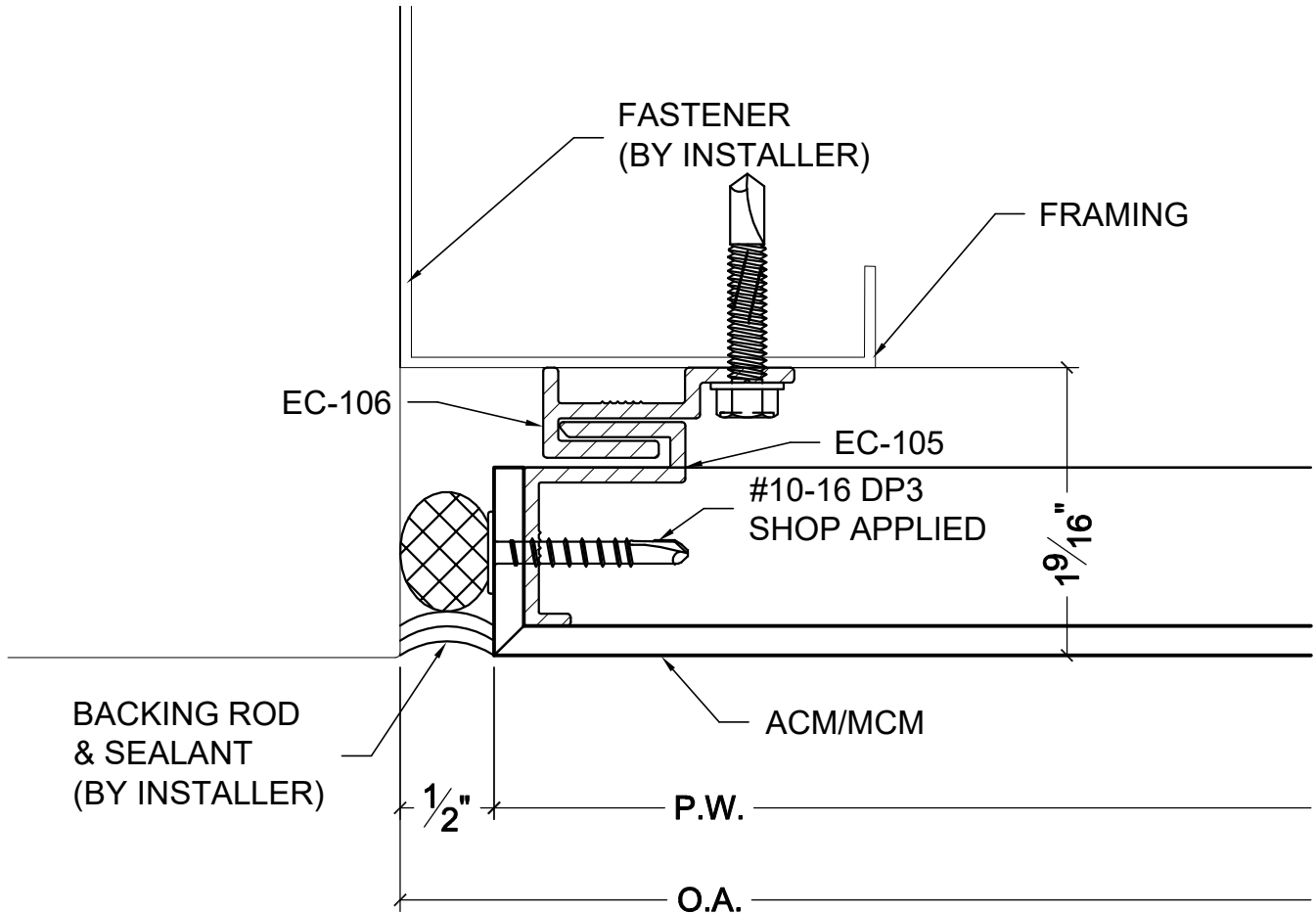
1:1

# EC-100

ROUTE & RETURN CAULKED SYSTEM



East Coast Metal Systems, Inc  
625 Distribution Road  
Triadelphia, WV 26059  
www.ecmsinc.net  
P: (304) 909-4220 F: (304) 909 4242



## EDGE CONDITION

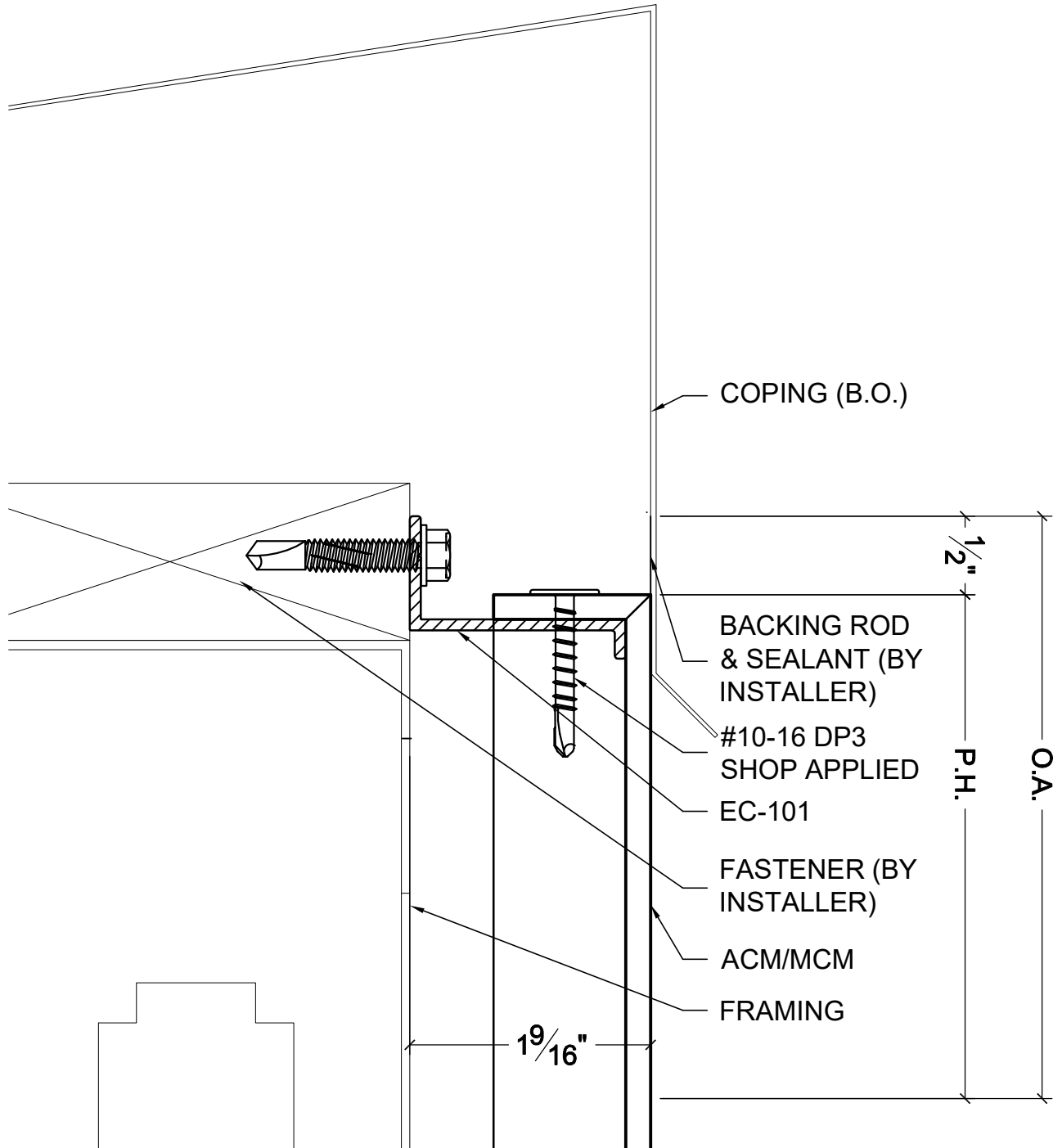
1:1

# EC-100

ROUTE & RETURN CAULKED SYSTEM



East Coast Metal Systems, Inc  
625 Distribution Road  
Triadelphia, WV 26059  
www.ecmsinc.net  
P: (304) 909-4220 F: (304) 909 4242



## PARAPET CONDITION WITH DISSIMILAR MATERIAL

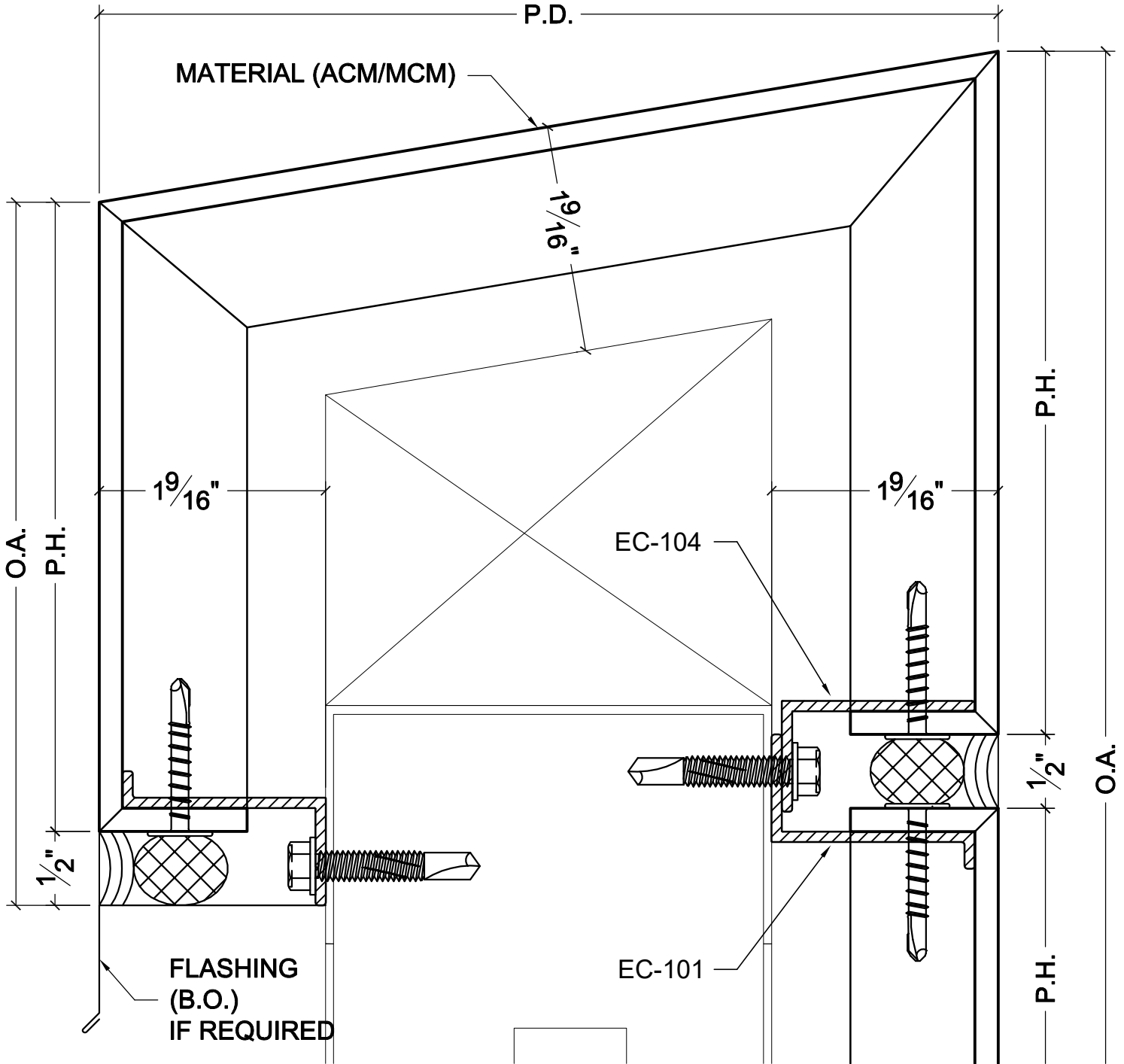
1:1

# EC-100

ROUTE & RETURN CAULKED SYSTEM



East Coast Metal Systems, Inc  
625 Distribution Road  
Triadelphia, WV 26059  
www.ecmsinc.net  
P: (304) 909-4220 F: (304) 909 4242



## PARAPET CONDITION WITH ACM COPING

1:1

# EC-100

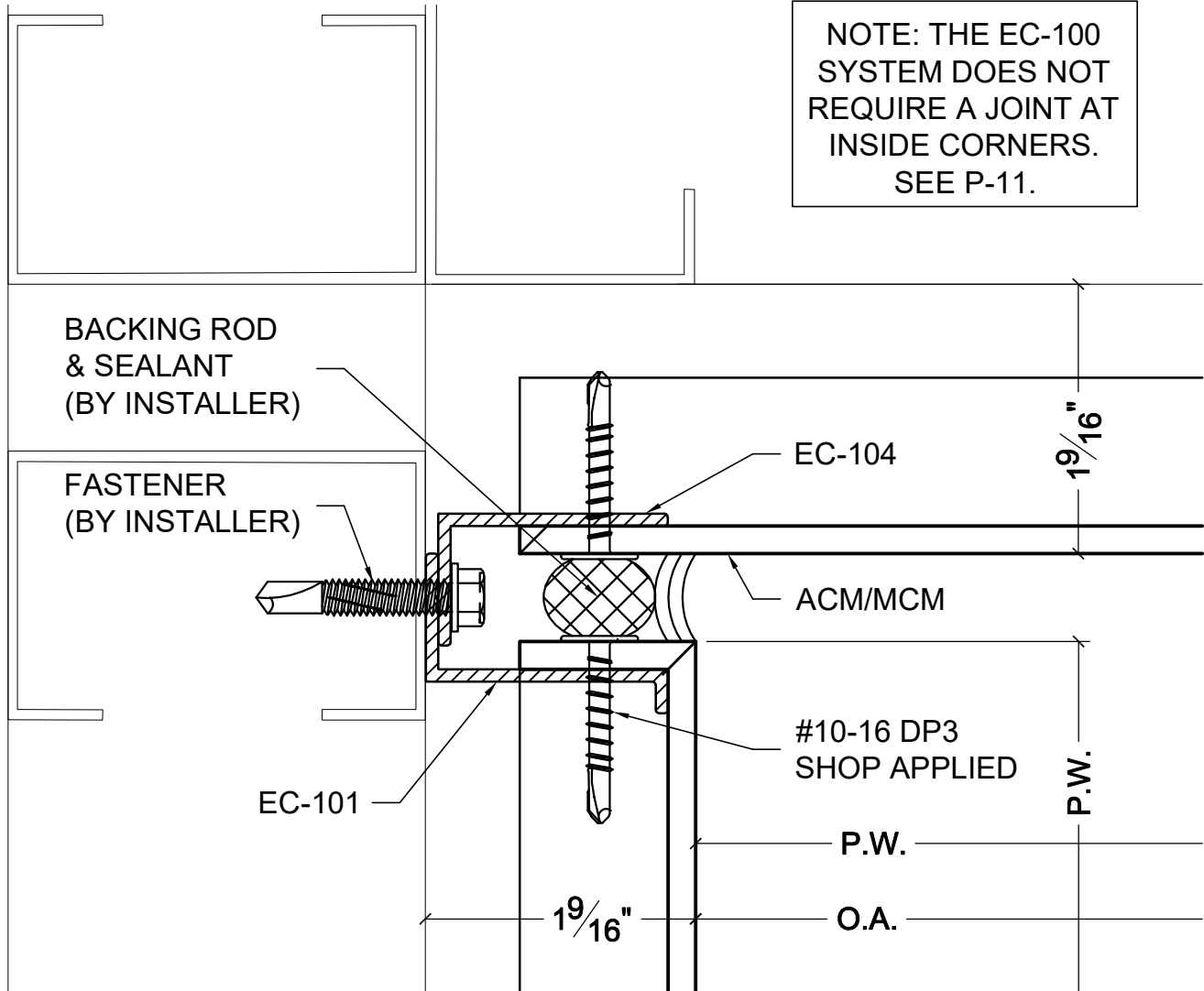
ROUTE & RETURN CAULKED SYSTEM



East Coast Metal Systems, Inc  
625 Distribution Road  
Triadelphia, WV 26059  
www.ecmsinc.net

P: (304) 909-4220 F: (304) 909 4242

NOTE: THE EC-100 SYSTEM DOES NOT REQUIRE A JOINT AT INSIDE CORNERS. SEE P-11.



## INSIDE CORNER CONDITION WITH JOINT

1:1

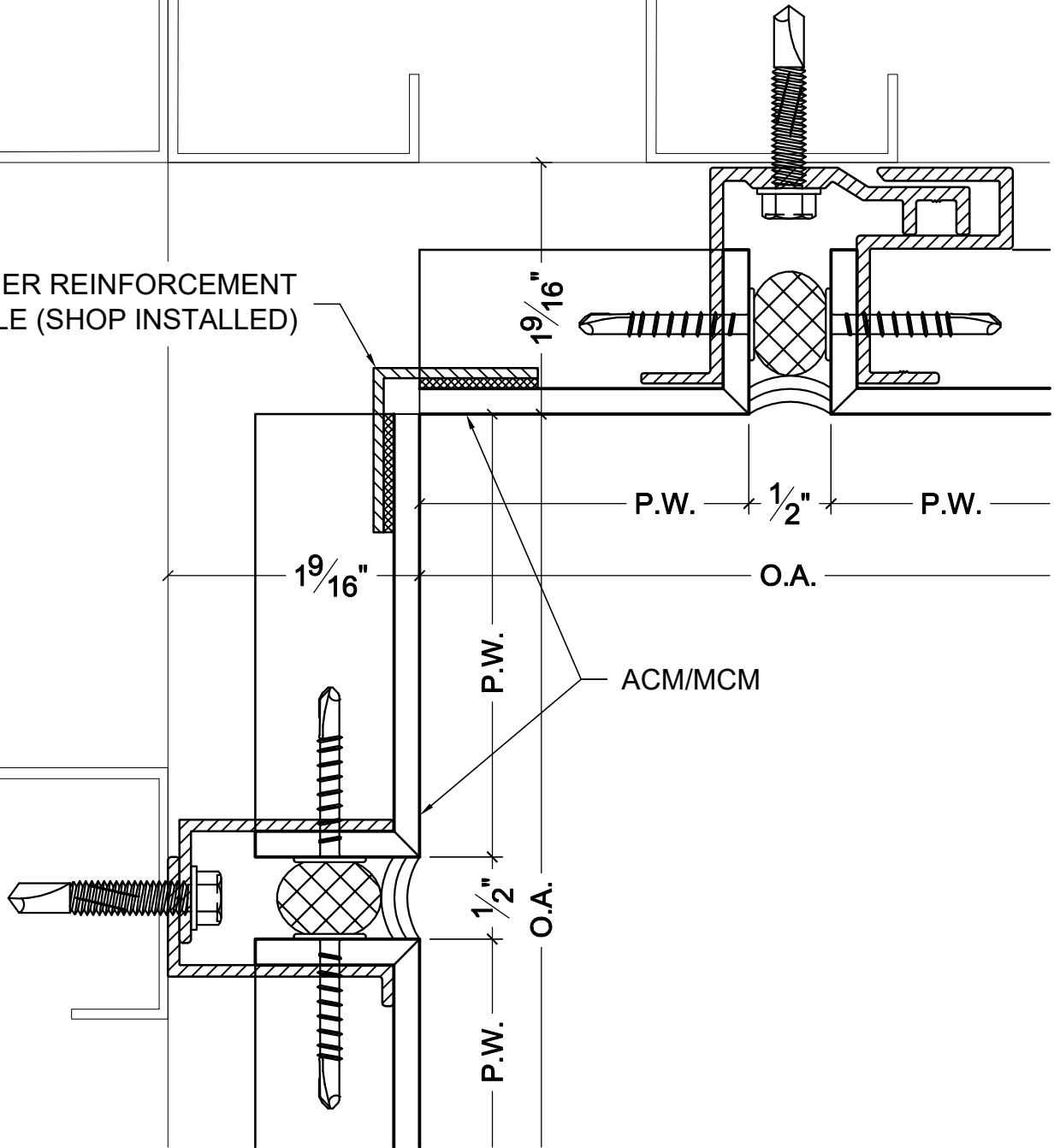
# EC-100

ROUTE & RETURN CAULKED SYSTEM



East Coast Metal Systems, Inc  
625 Distribution Road  
Triadelphia, WV 26059  
www.ecmsinc.net  
P: (304) 909-4220 F: (304) 909 4242

CORNER REINFORCEMENT  
ANGLE (SHOP INSTALLED)



## INSIDE CORNER CONDITION NO JOINT

1:1

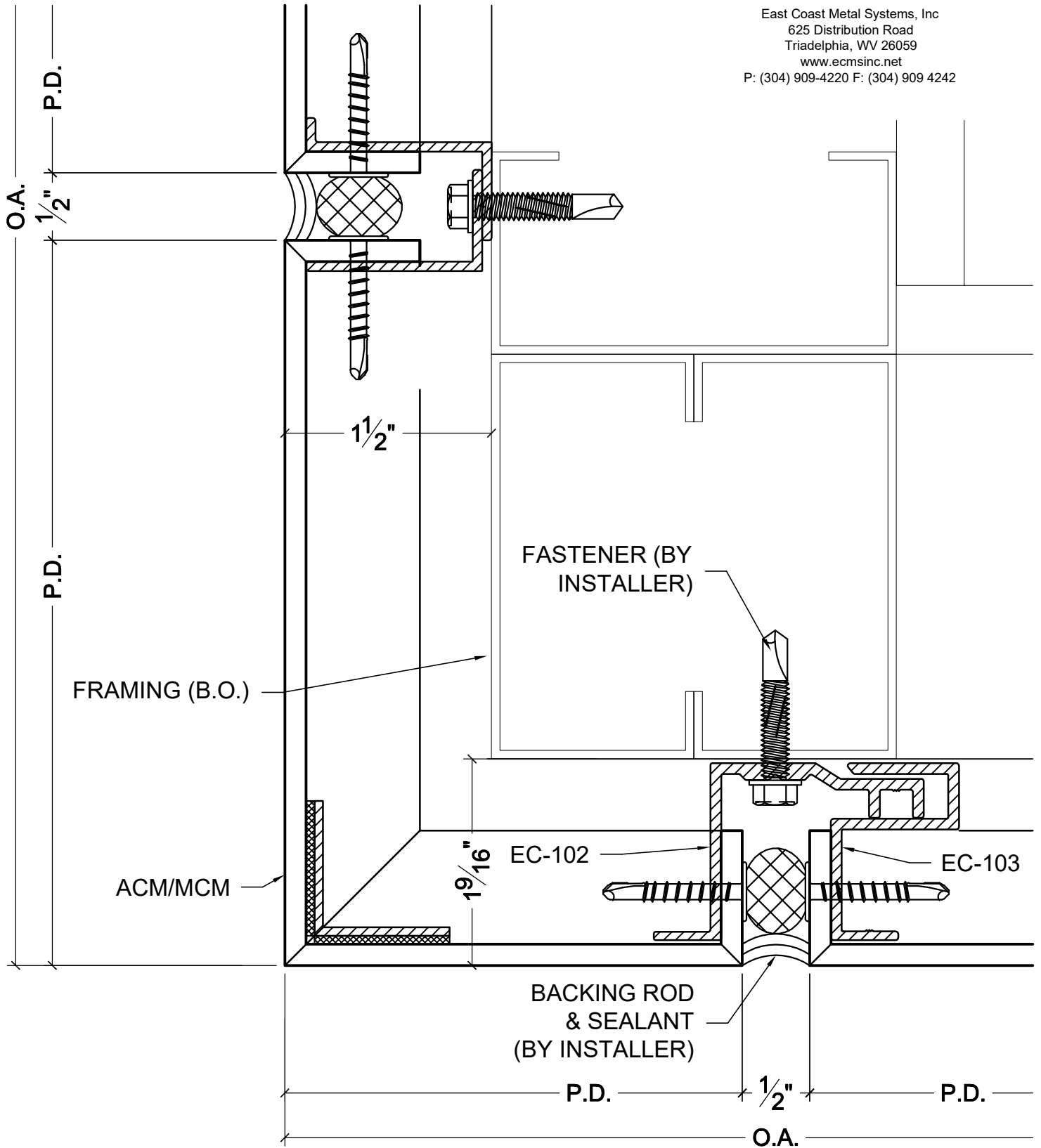
# EC-100

ROUTE & RETURN CAULKED SYSTEM



**EAST COAST**  
METAL SYSTEMS

East Coast Metal Systems, Inc  
625 Distribution Road  
Triadelphia, WV 26059  
www.ecmsinc.net  
P: (304) 909-4220 F: (304) 909 4242

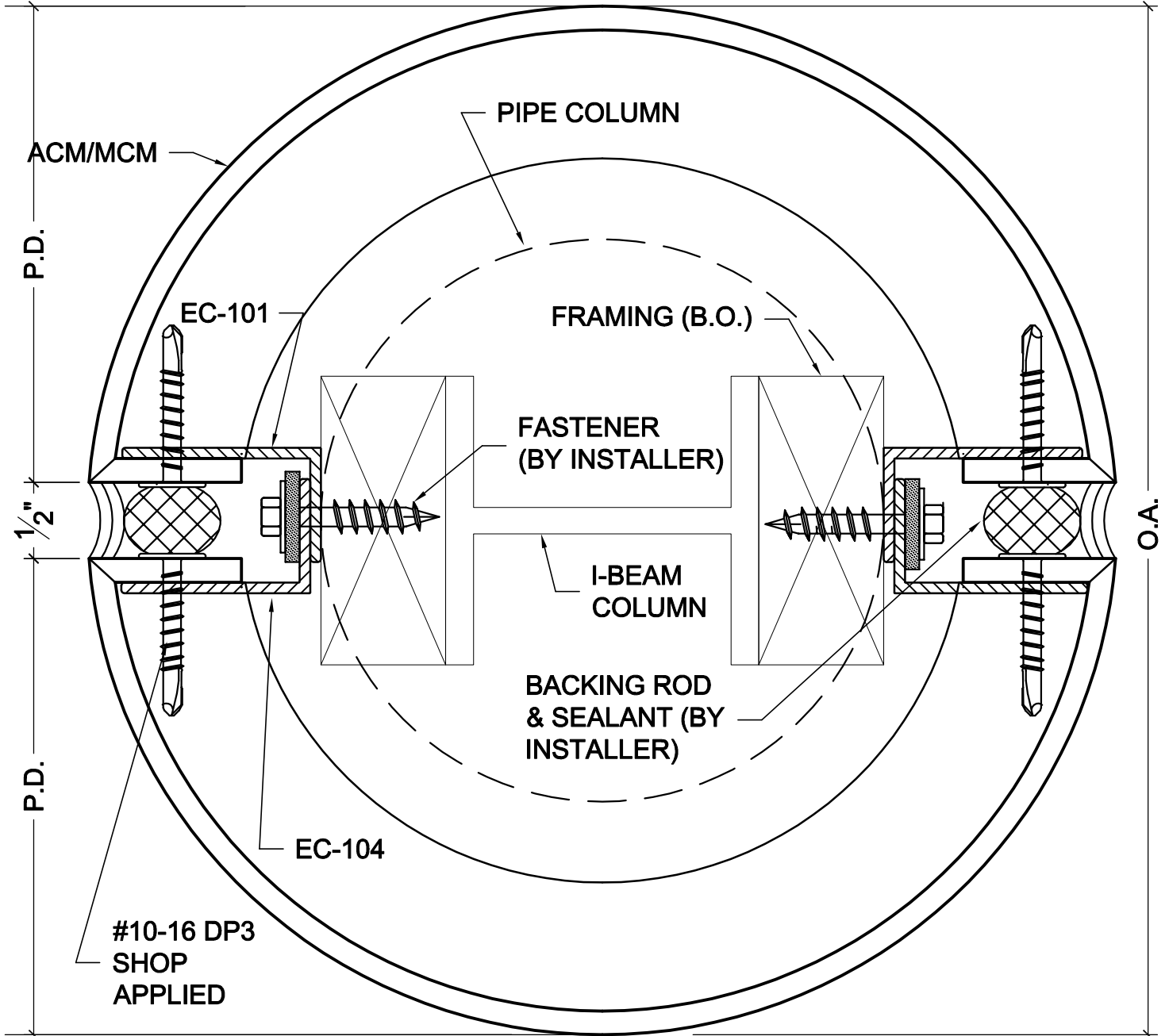


## OUTSIDE CORNER/FASCIA SOFFIT

1:1

# EC-100

ROUTE & RETURN CAULKED SYSTEM



## CONDITION AT COLUMN

1:1