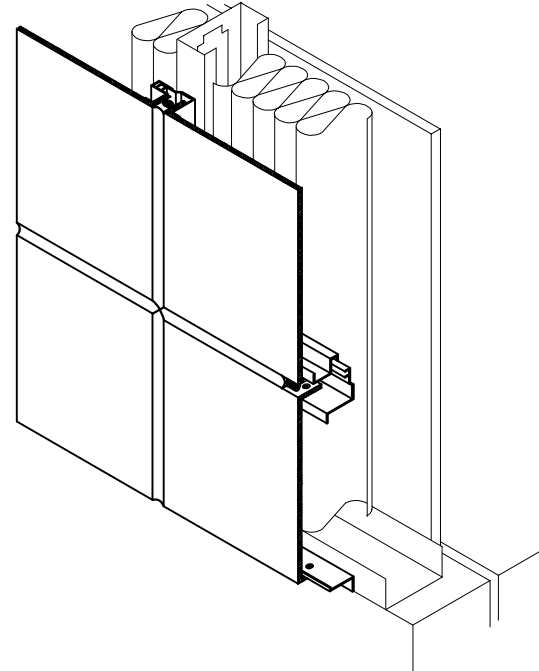
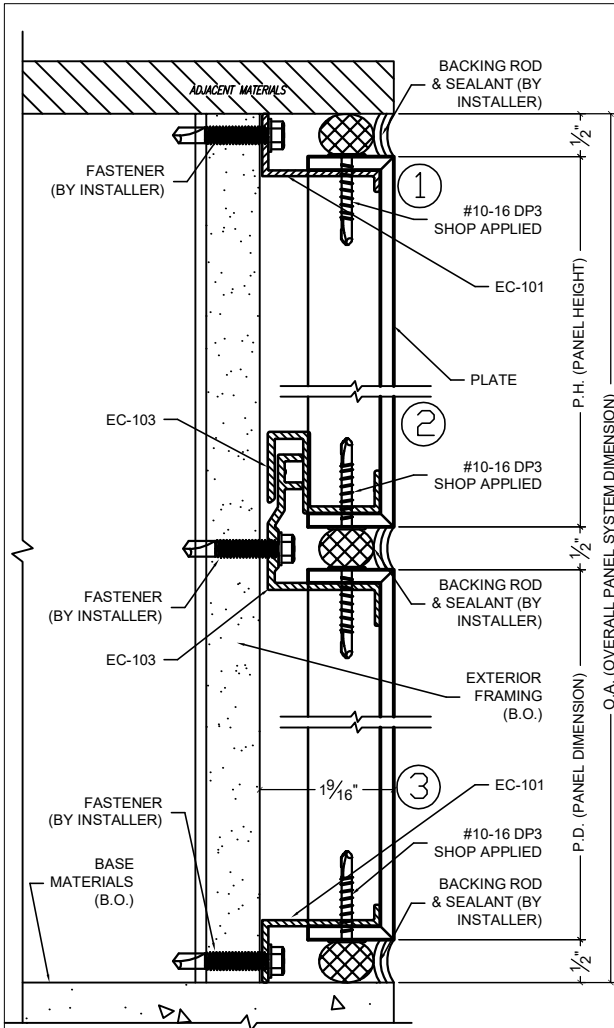


EC-150

ROUTE & RETURN WET JOINT SYSTEM



- ① TYPICAL HEAD JOINT
- ② TYPICAL HORIZONTAL/VERTICAL JOINT
- ③ TYPICAL BASE JOINT

EC-150 PANEL SYSTEM - ISOMETRIC

EC-150 Wet Joint System

The EC-150 Plate Panel Barrier System utilizes panel length, male/female extrusions, that are interlocking and easily installed. The EC-150 is a wet-joint system and is sealed with a silicone sealant. The EC-150 is routed and fabricated into "formed pans" that are attached to the EC-150 extrusions. The EC-150 system can be used on projects varying from the most simple to the most complex. The EC-150's versatility allows installation over any structurally sound surface.

EC-150

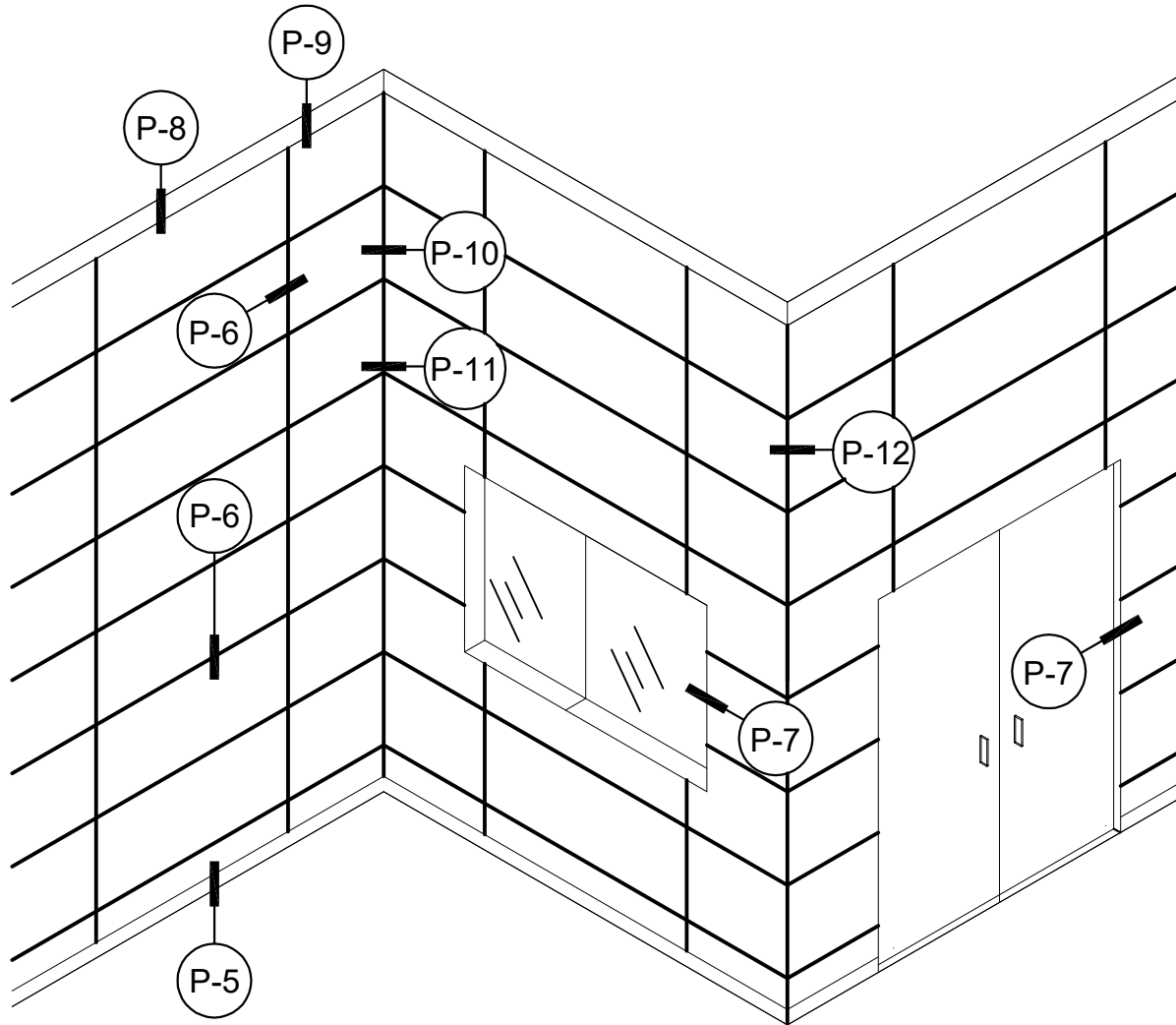
ROUTE & RETURN CAULKED SYSTEM



East Coast Metal Systems, Inc
625 Distribution Road
Triadelphia, WV 26059
www.ecmsinc.net

P: (304) 909-4220 F: (304) 909 4242

EC-150 PLATE PANEL SYSTEM



ABBREVIATIONS

PLATE = ALUM. PLATE
B.O. = BY OTHERS
O.A. = OVERALL PANEL
SYSTEM DIMENSION
P.D. = PANEL DIMENSION
P.H. = PANEL HEIGHT
P.W. = PANEL WIDTH

INDEX

(P-2) - (P-3): SYSTEM OVERVIEW
(P4): EXTRUSIONS
(P-5) - (P-13): SYSTEM DETAILS

EC-150

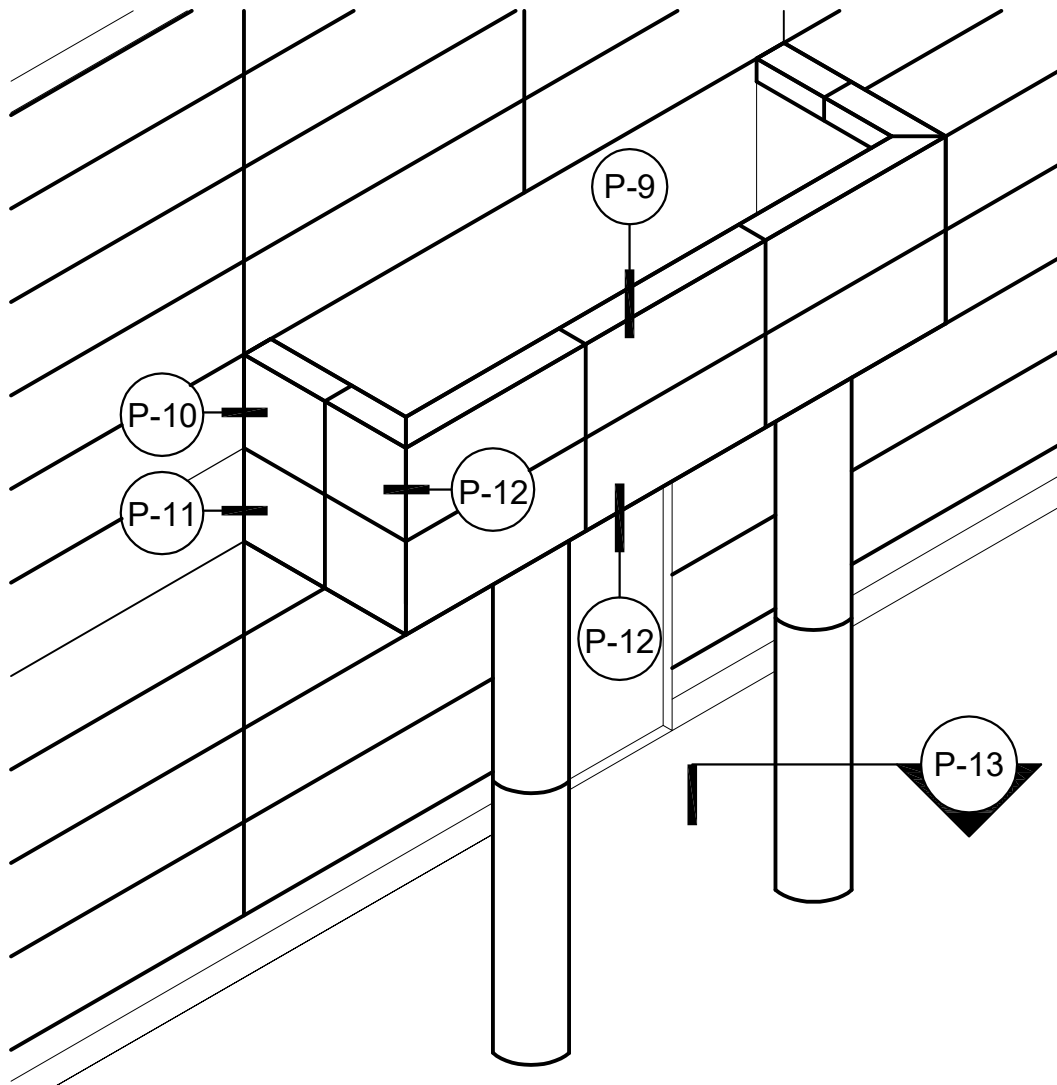
ROUTE & RETURN CAULKED SYSTEM



East Coast Metal Systems, Inc
625 Distribution Road
Triadelphia, WV 26059
www.ecmsinc.net

P: (304) 909-4220 F: (304) 909 4242

EC-150 PLATE PANEL SYSTEM CANOPY AND COLUMN WRAPS



EC-150

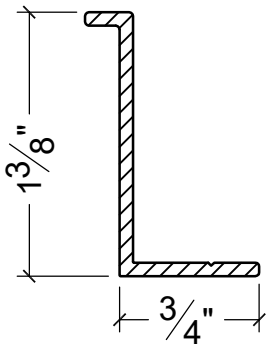
ROUTE & RETURN CAULKED SYSTEM



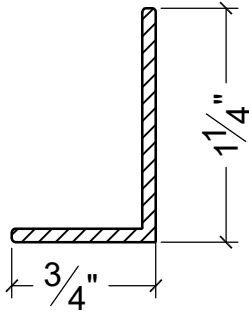
East Coast Metal Systems, Inc
625 Distribution Road
Triadelphia, WV 26059
www.ecmsinc.net

P: (304) 909-4220 F: (304) 909 4242

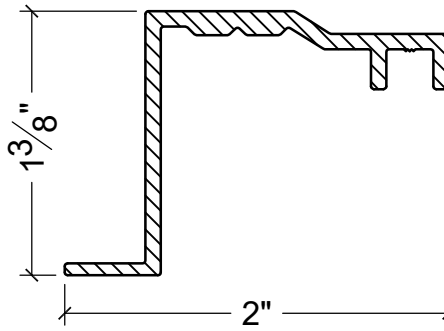
ATTACHMENT EXTRUSIONS



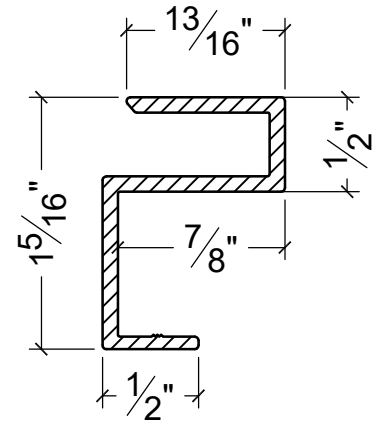
EC-101
EDGE ANGLE



EC-104
EDGE ANGLE



EC-102
MALE CONNECTOR



EC-103
FEMALE CONNECTOR

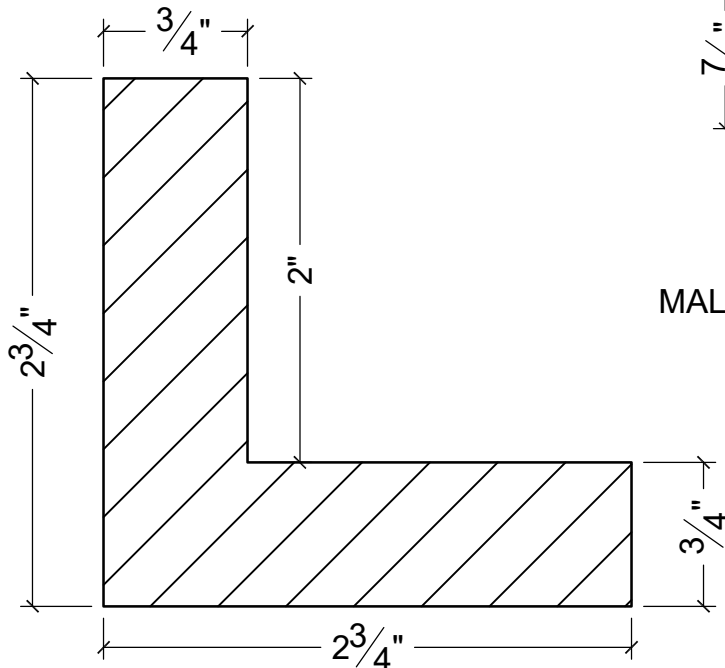
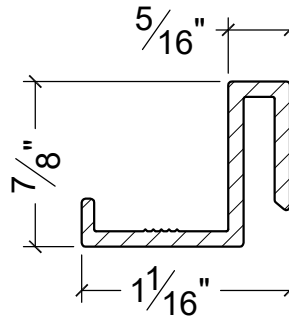
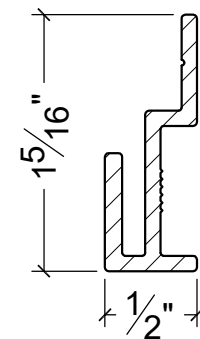


PLATE PANEL RETURN REINFORCEMENT



EC-105
MALE CONNECTOR



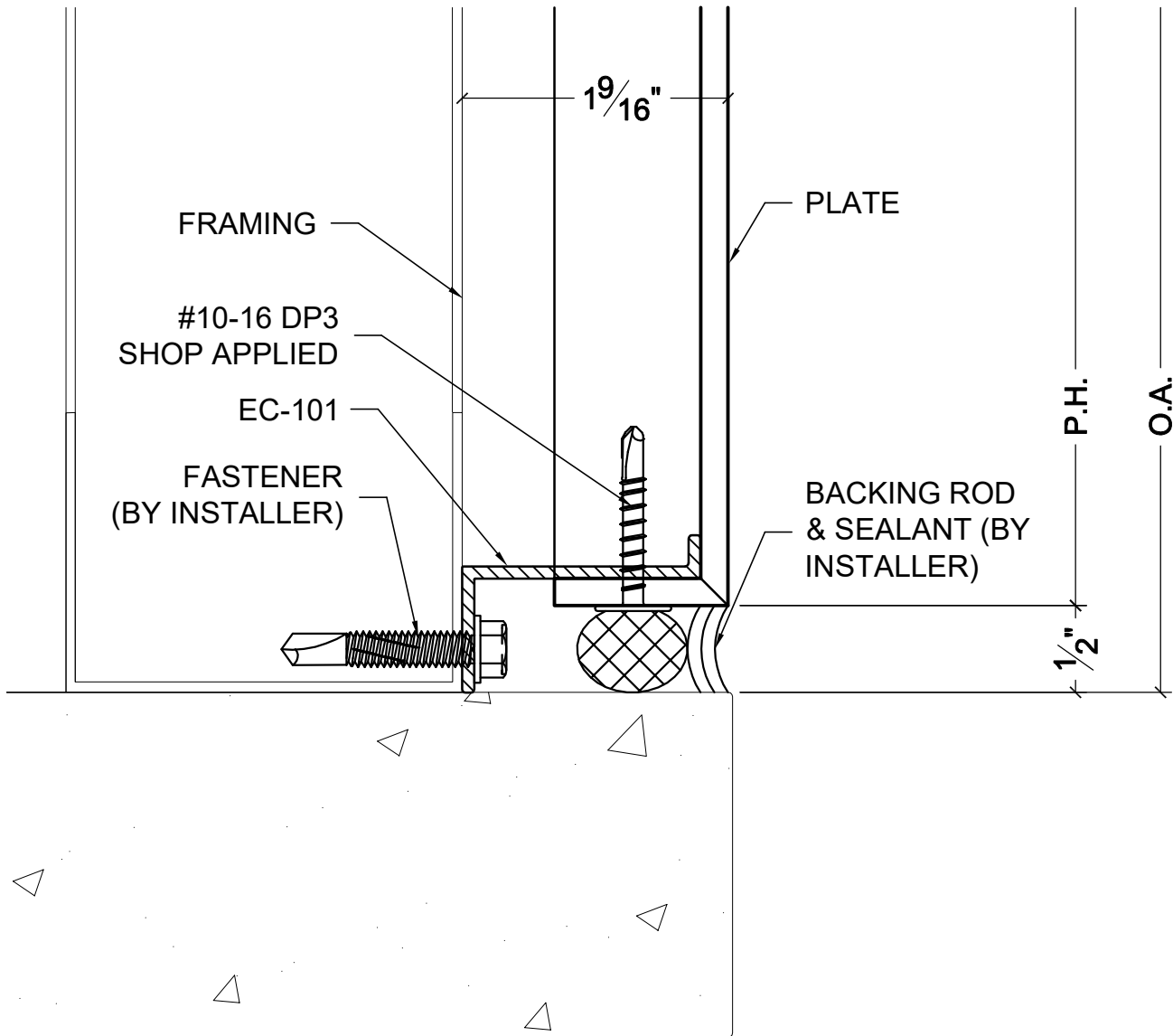
EC-106
FEMALE CONNECTOR

EC-150

ROUTE & RETURN CAULKED SYSTEM



East Coast Metal Systems, Inc
625 Distribution Road
Triadelphia, WV 26059
www.ecmsinc.net
P: (304) 909-4220 F: (304) 909 4242



SILL CONDITION

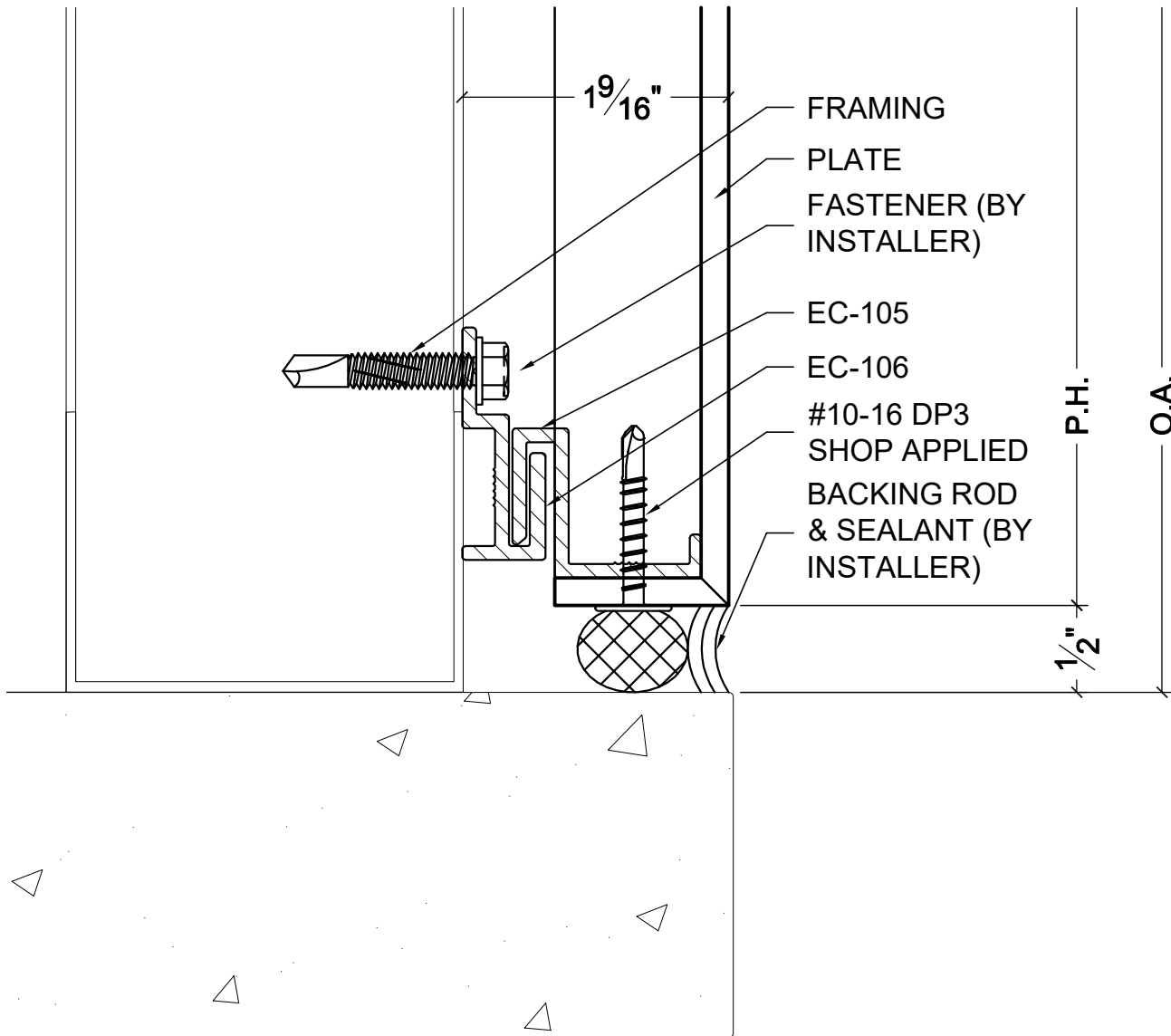
1:1

EC-150

ROUTE & RETURN CAULKED SYSTEM



East Coast Metal Systems, Inc
625 Distribution Road
Triadelphia, WV 26059
www.ecmsinc.net
P: (304) 909-4220 F: (304) 909 4242



SILL CONDITION

1:1

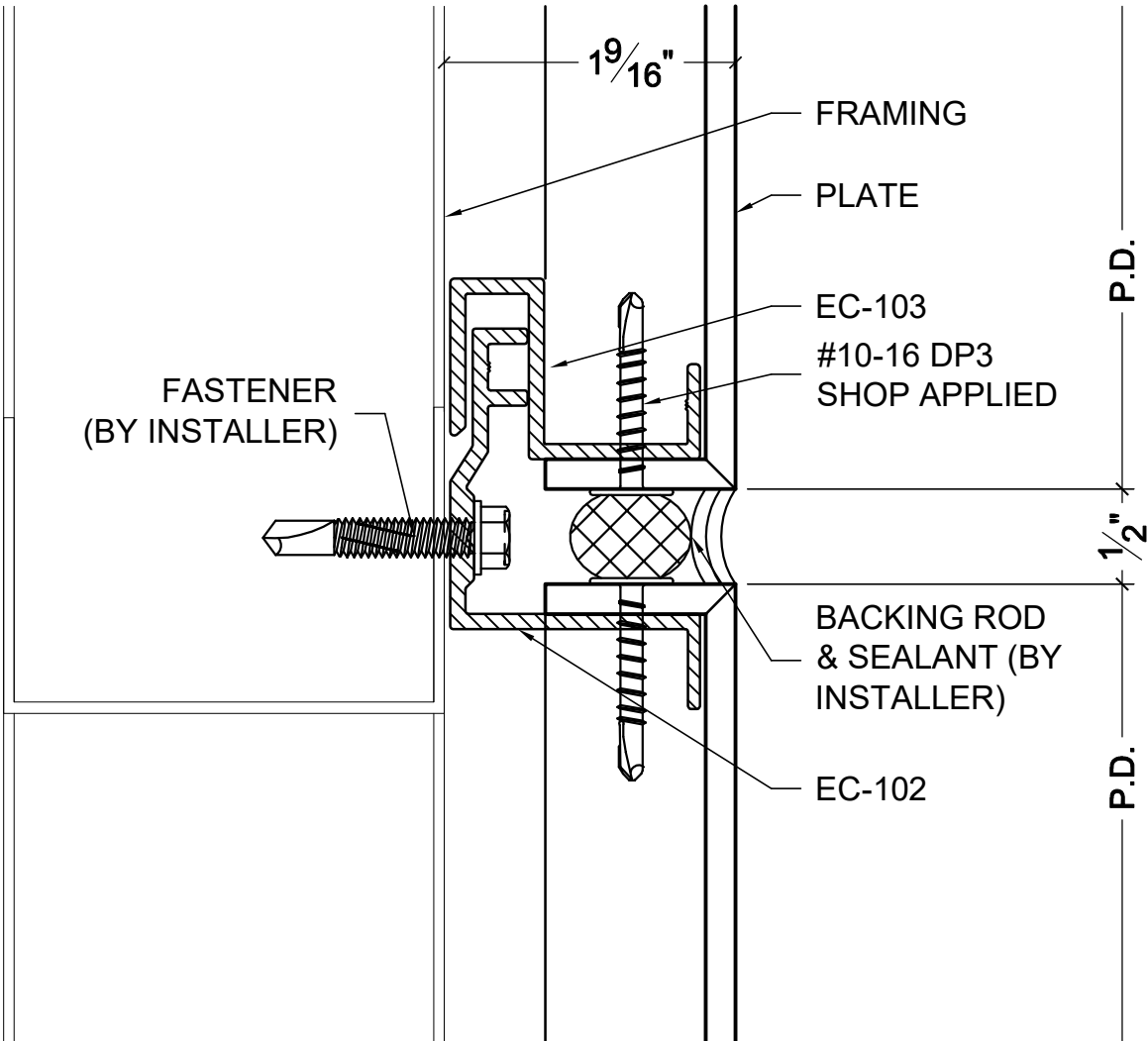
EC-150

ROUTE & RETURN CAULKED SYSTEM



East Coast Metal Systems, Inc
625 Distribution Road
Triadelphia, WV 26059
www.ecmsinc.net

P: (304) 909-4220 F: (304) 909 4242



HORIZONTAL/VERTICAL JOINT

1:1

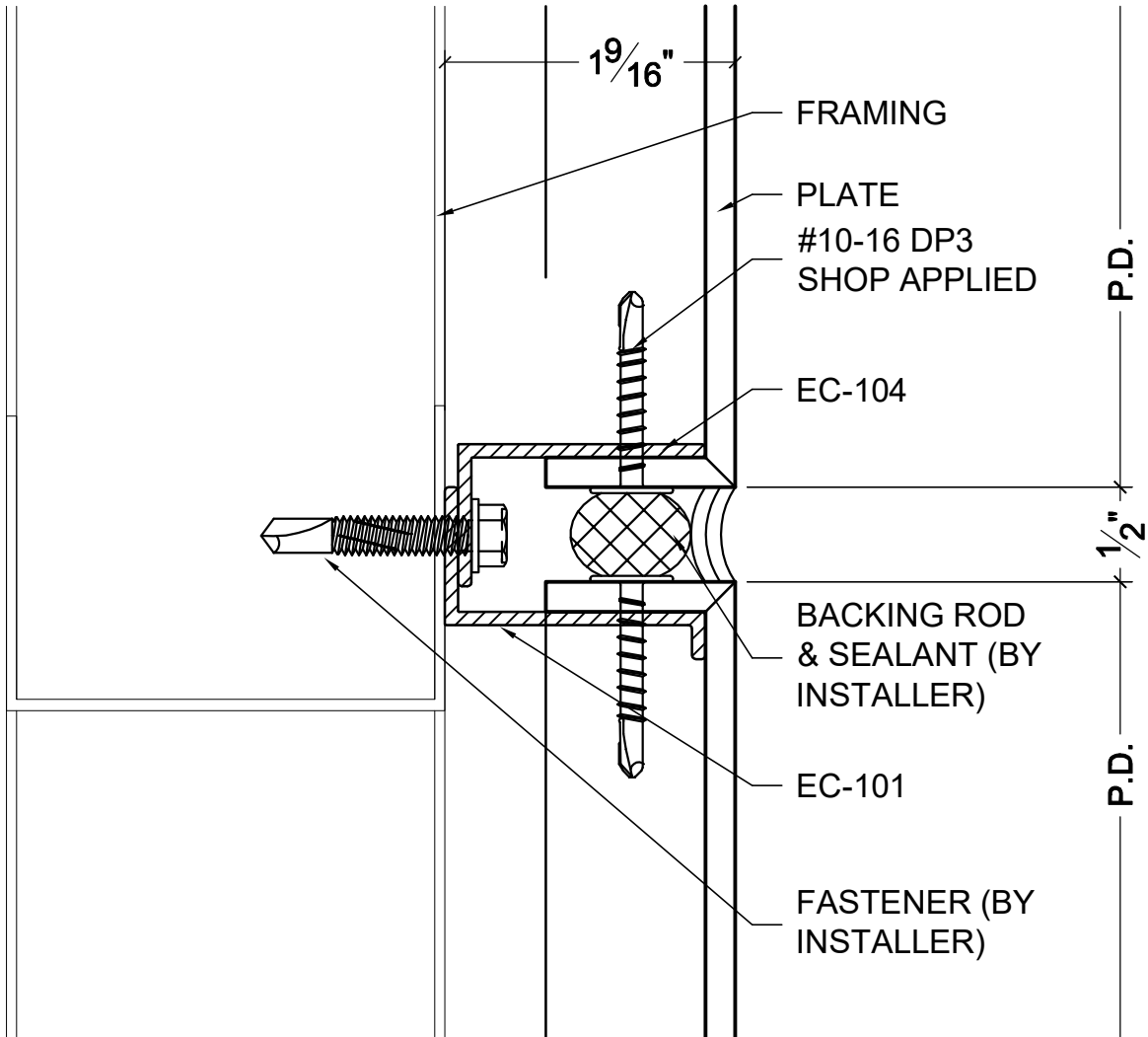
EC-150

ROUTE & RETURN CAULKED SYSTEM



East Coast Metal Systems, Inc
625 Distribution Road
Triadelphia, WV 26059
www.ecmsinc.net

P: (304) 909-4220 F: (304) 909 4242



HORIZONTAL/VERTICAL JOINT

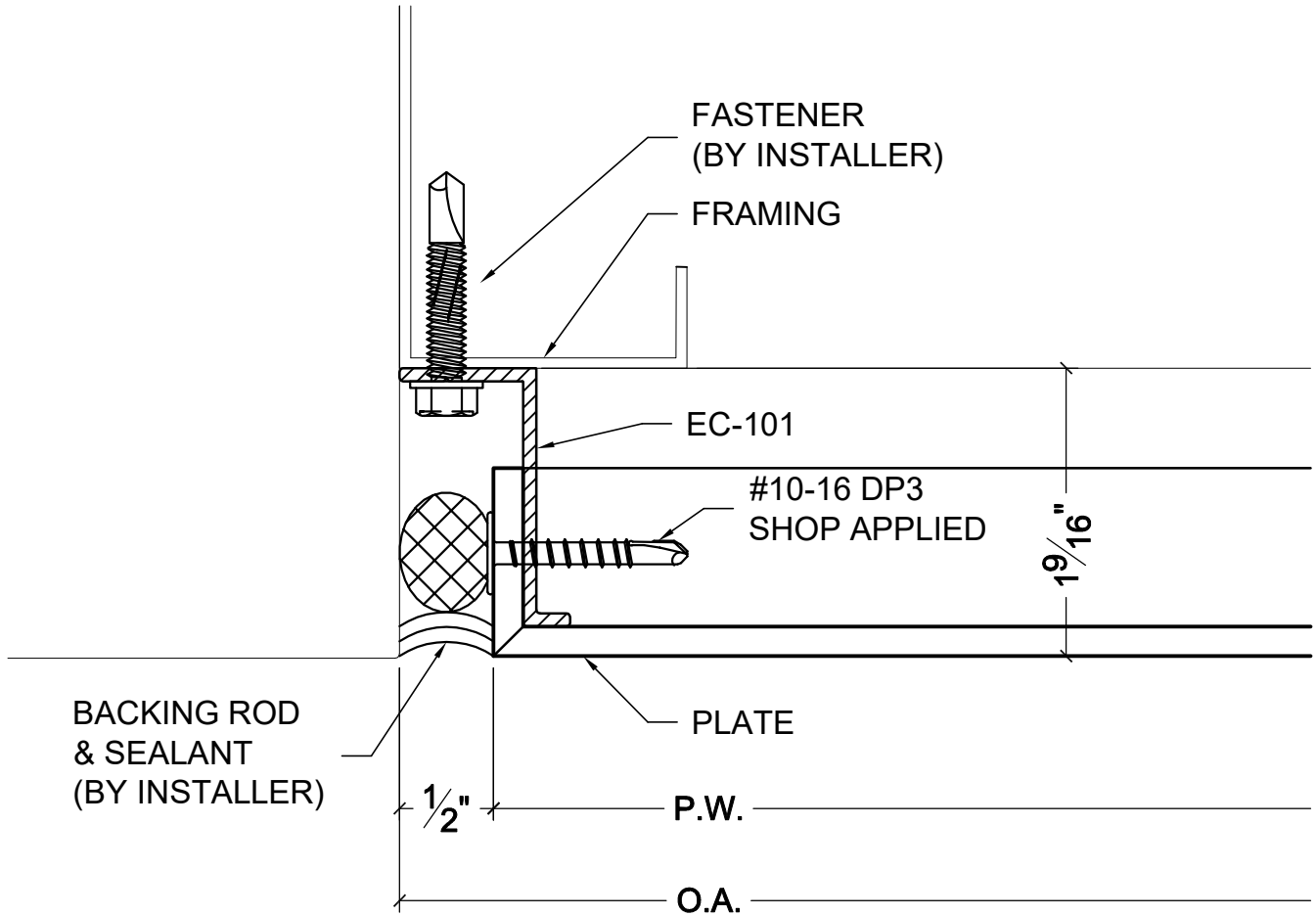
1:1

EC-150

ROUTE & RETURN CAULKED SYSTEM



East Coast Metal Systems, Inc
625 Distribution Road
Triadelphia, WV 26059
www.ecmsinc.net
P: (304) 909-4220 F: (304) 909 4242



EDGE CONDITION

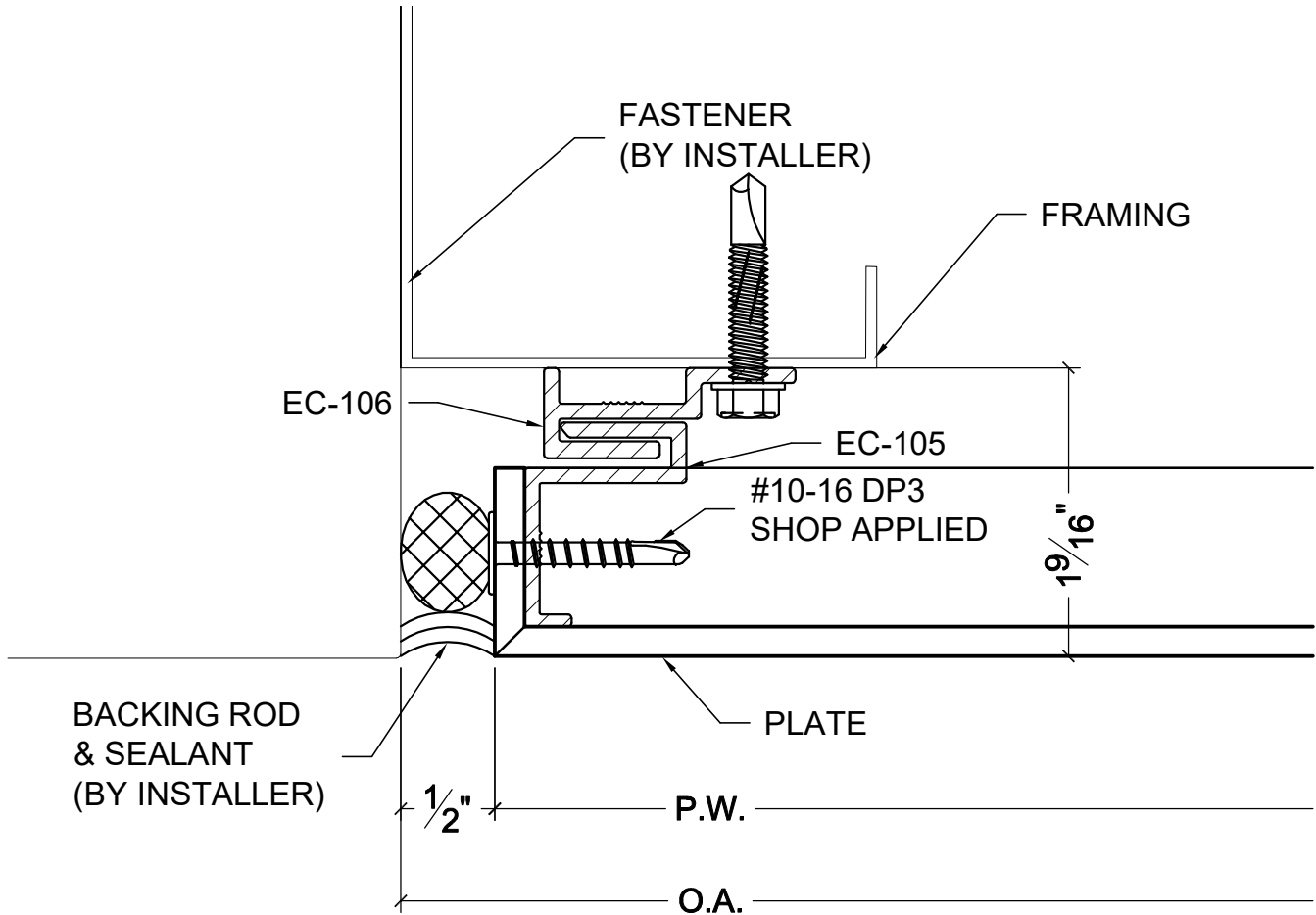
1:1

EC-150

ROUTE & RETURN CAULKED SYSTEM



East Coast Metal Systems, Inc
625 Distribution Road
Triadelphia, WV 26059
www.ecmsinc.net
P: (304) 909-4220 F: (304) 909 4242



EDGE CONDITION

1:1

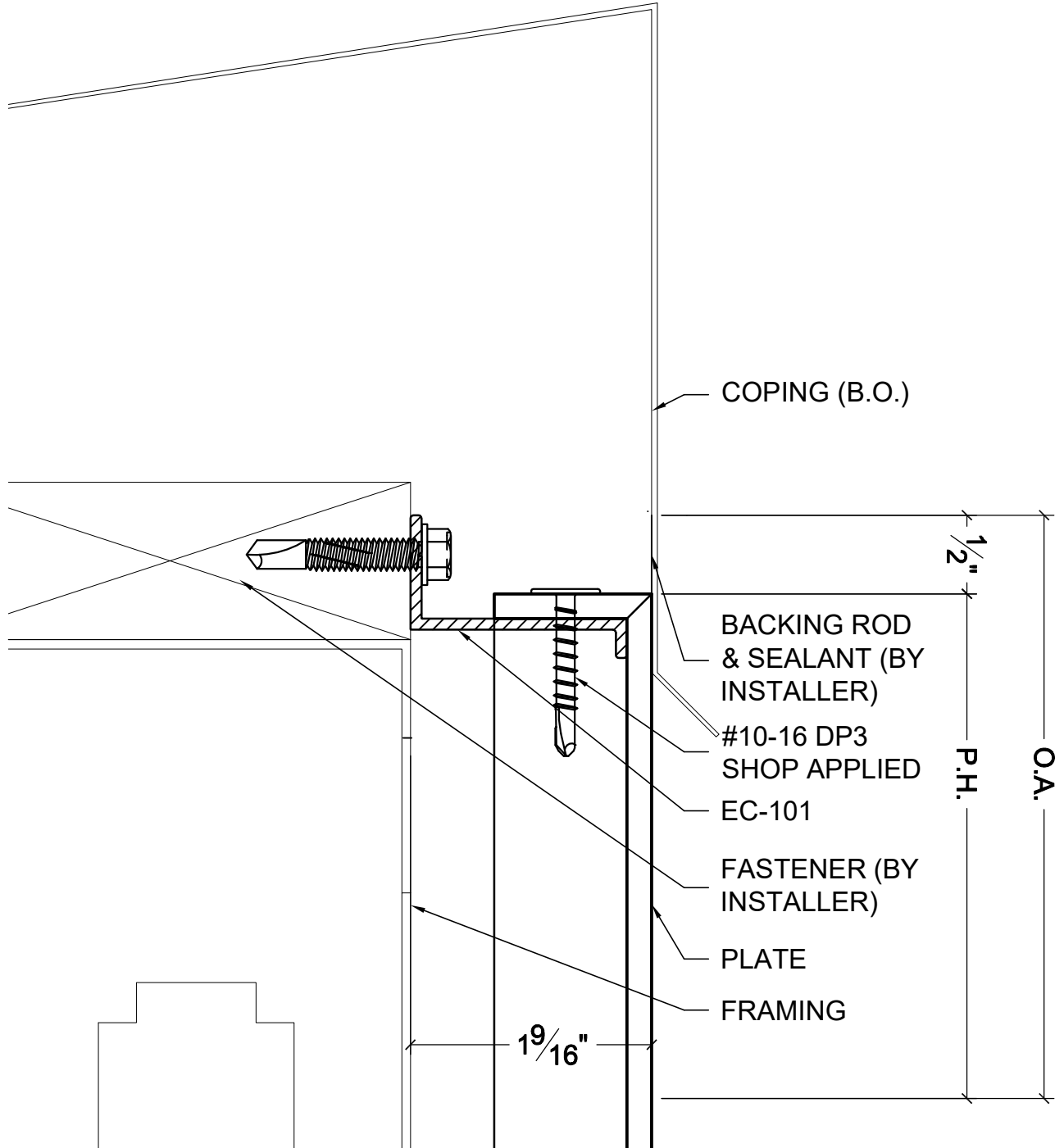
EC-150

ROUTE & RETURN CAULKED SYSTEM



East Coast Metal Systems, Inc
625 Distribution Road
Triadelphia, WV 26059
www.ecmsinc.net

P: (304) 909-4220 F: (304) 909 4242



PARAPET CONDITION WITH DISSIMILAR MATERIAL

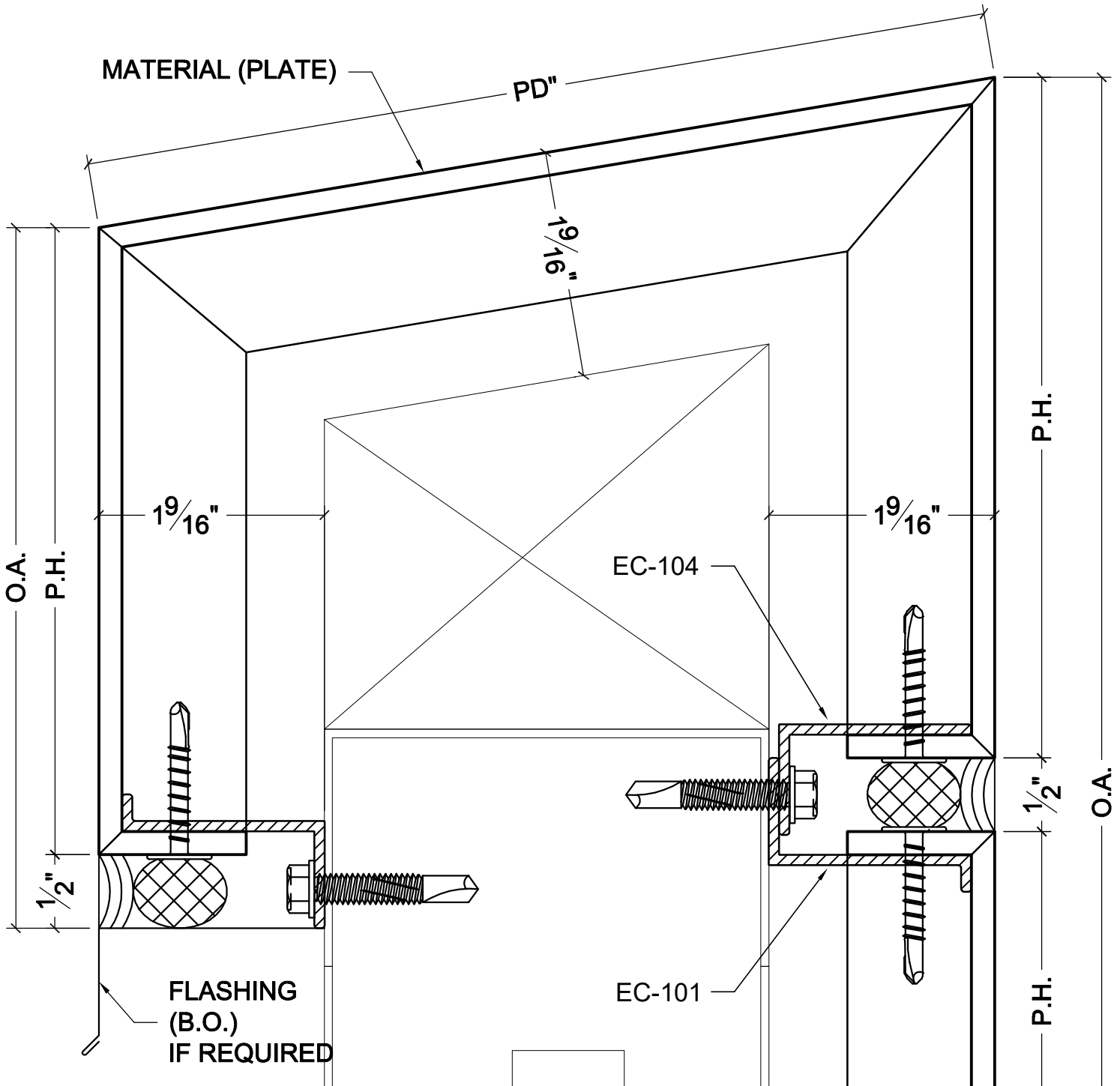
1:1

EC-150

ROUTE & RETURN CAULKED SYSTEM



East Coast Metal Systems, Inc
625 Distribution Road
Triadelphia, WV 26059
www.ecmsinc.net
P: (304) 909-4220 F: (304) 909 4242



PARAPET CONDITION WITH Plate COPING

1:1

EC-150

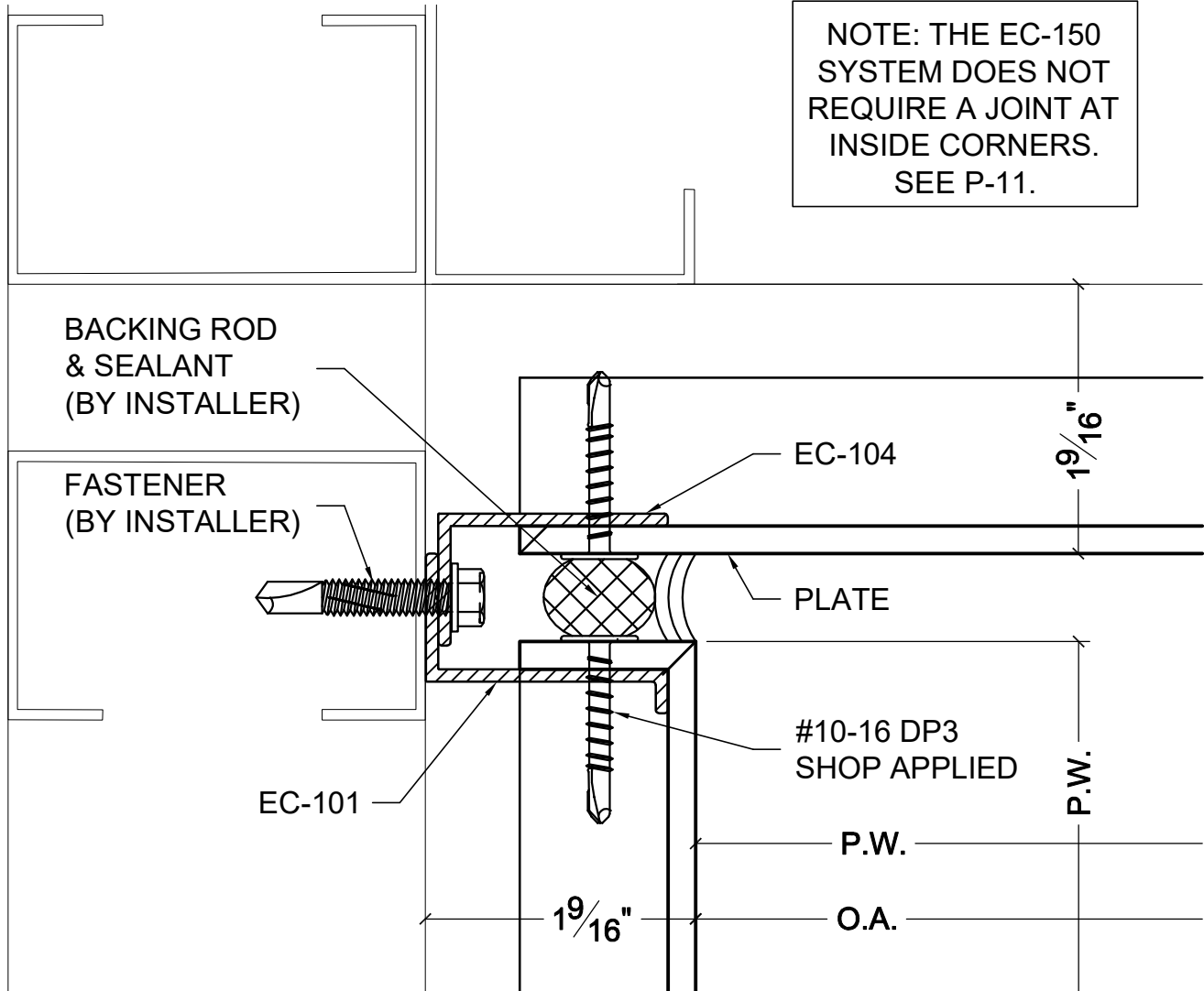
ROUTE & RETURN CAULKED SYSTEM



East Coast Metal Systems, Inc
625 Distribution Road
Triadelphia, WV 26059
www.ecmsinc.net

P: (304) 909-4220 F: (304) 909 4242

NOTE: THE EC-150 SYSTEM DOES NOT REQUIRE A JOINT AT INSIDE CORNERS. SEE P-11.



INSIDE CORNER CONDITION WITH JOINT

1:1

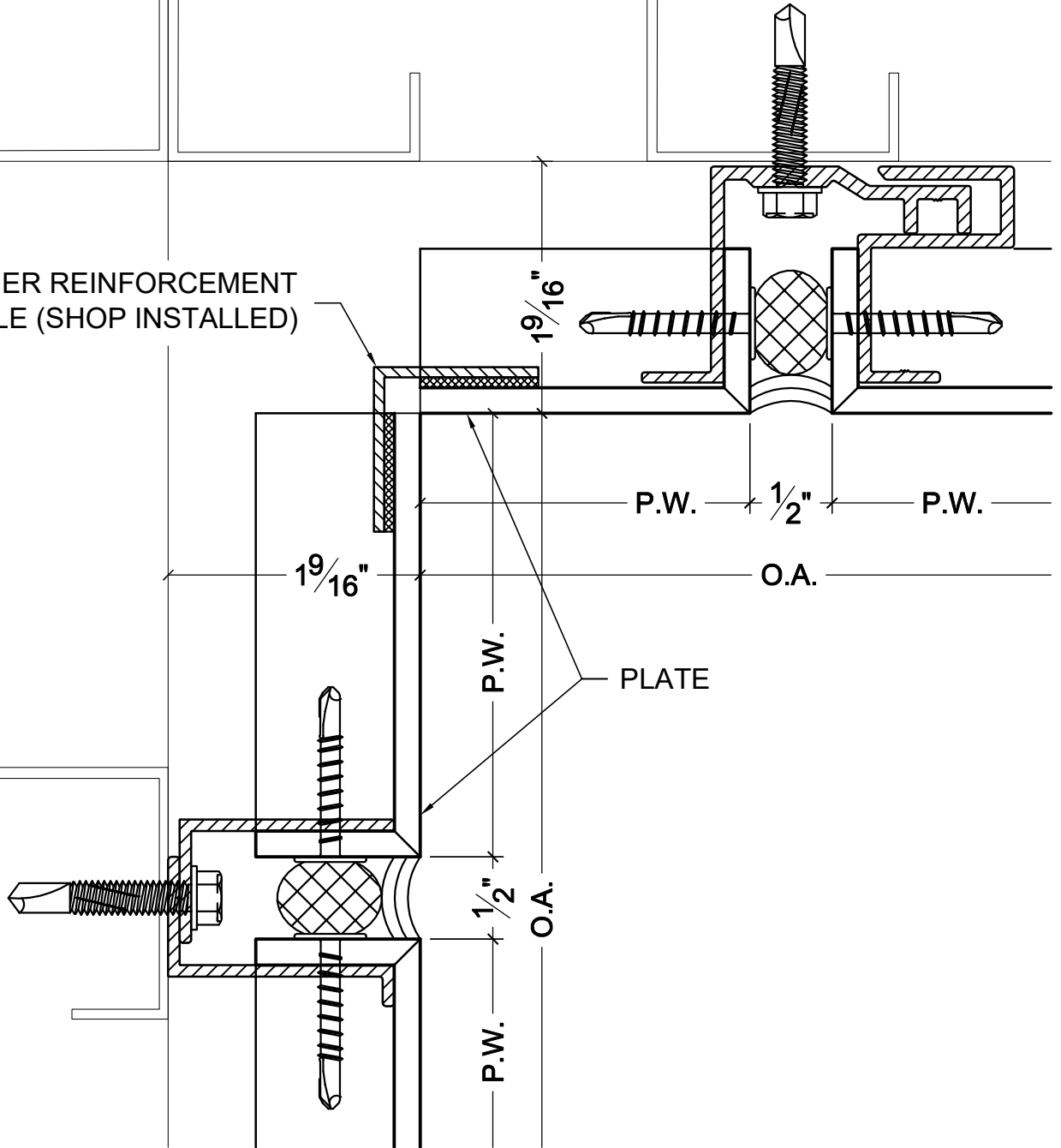
EC-150

ROUTE & RETURN CAULKED SYSTEM



East Coast Metal Systems, Inc
625 Distribution Road
Triadelphia, WV 26059
www.ecmsinc.net
P: (304) 909-4220 F: (304) 909 4242

CORNER REINFORCEMENT
ANGLE (SHOP INSTALLED)



INSIDE CORNER CONDITION NO JOINT

1:1

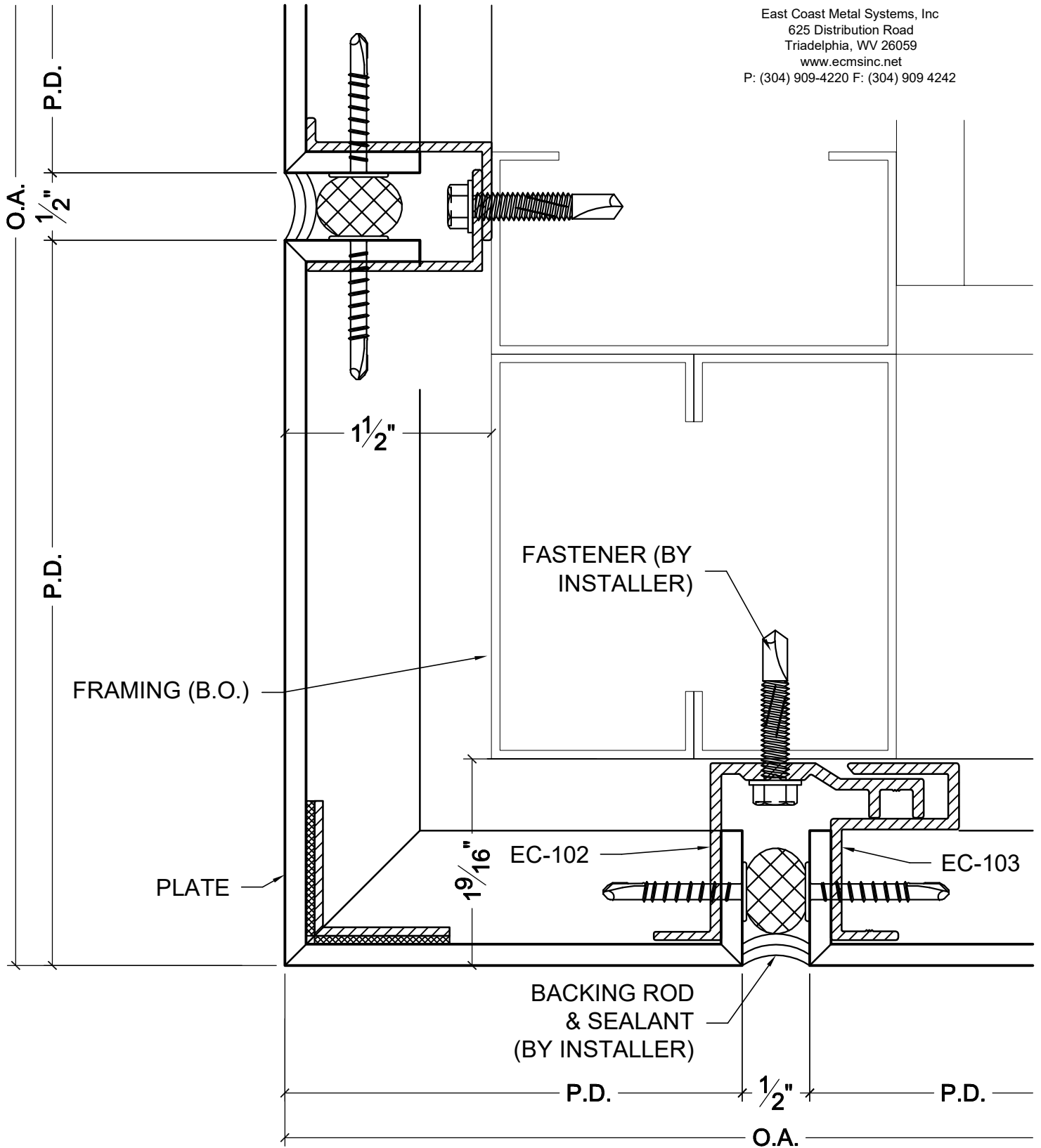
EC-150

ROUTE & RETURN CAULKED SYSTEM



EAST COAST
METAL SYSTEMS

East Coast Metal Systems, Inc
625 Distribution Road
Triadelphia, WV 26059
www.ecmsinc.net
P: (304) 909-4220 F: (304) 909 4242



OUTSIDE CORNER/FASCIA SOFFIT

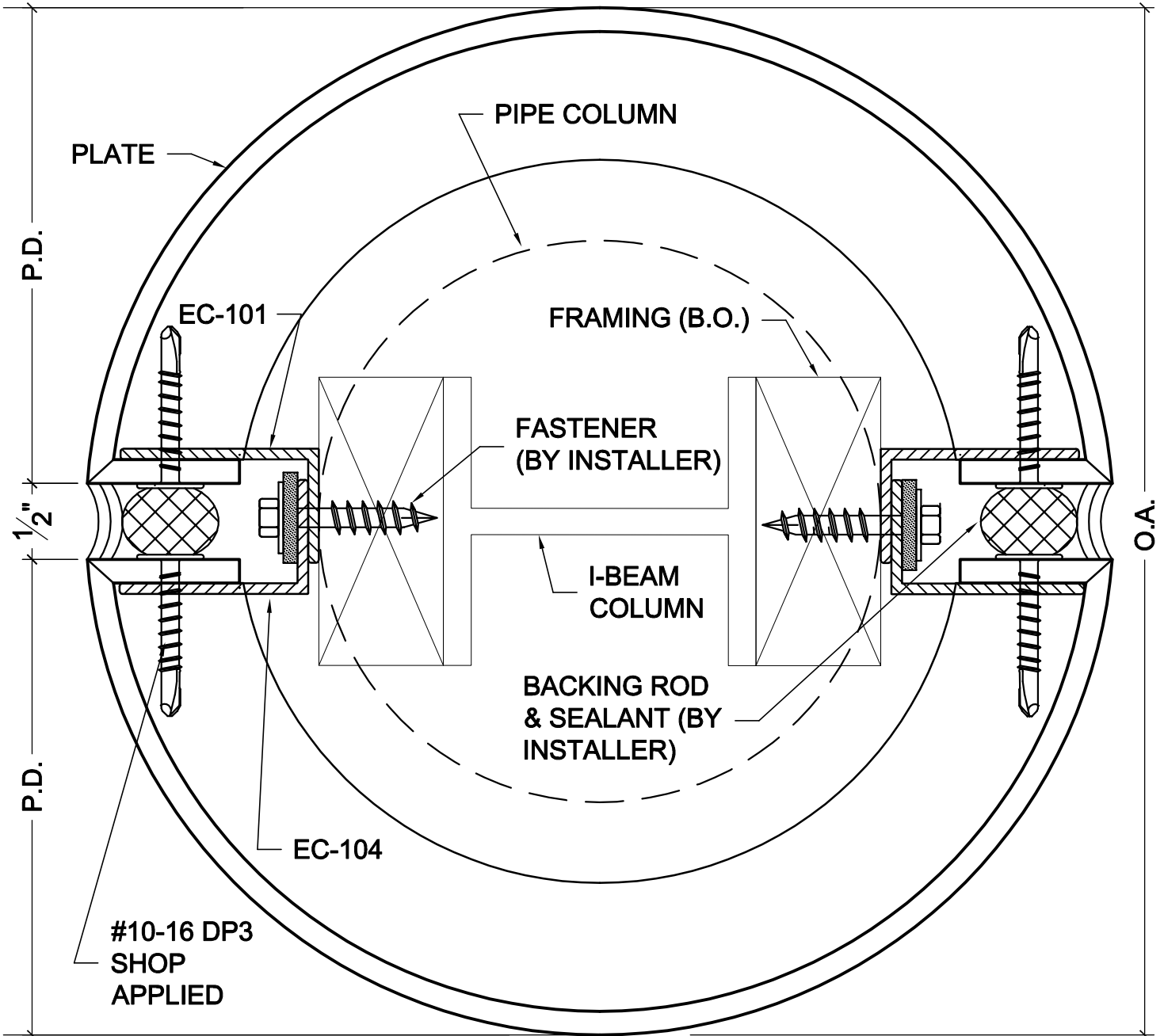
1:1

EC-150

ROUTE & RETURN CAULKED SYSTEM

East Coast Metal Systems, Inc
625 Distribution Road
Triadelphia, WV 26059
www.ecmsinc.net

P: (304) 909-4220 F: (304) 909 4242



CONDITION AT COLUMN

1:1