



EAST COAST

METAL SYSTEMS

PRODUCT DATA

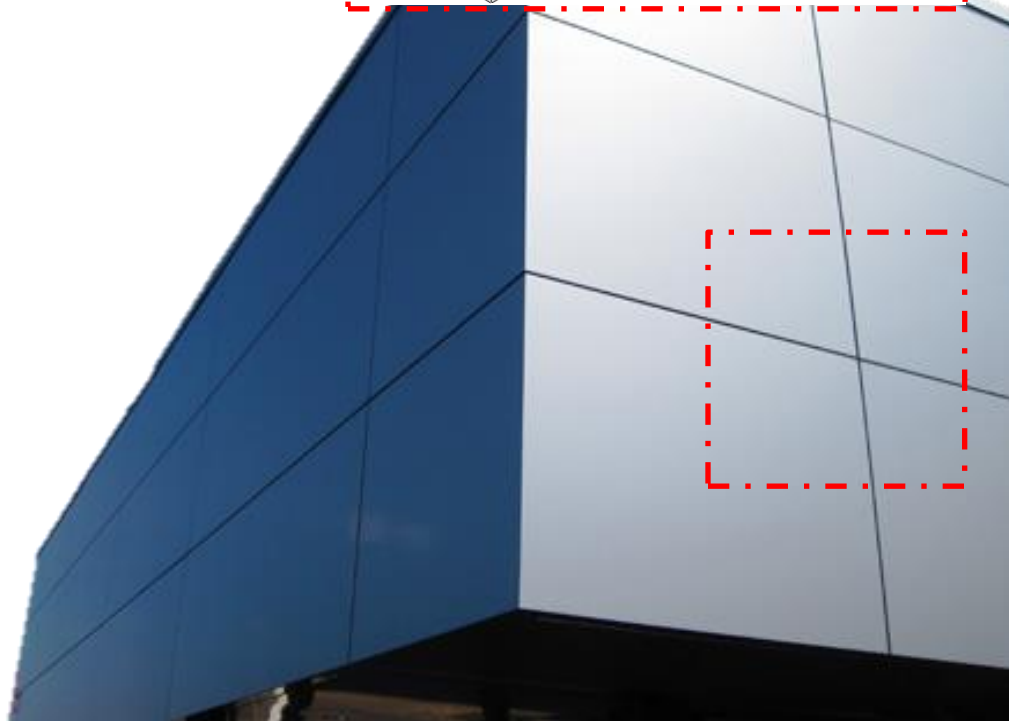
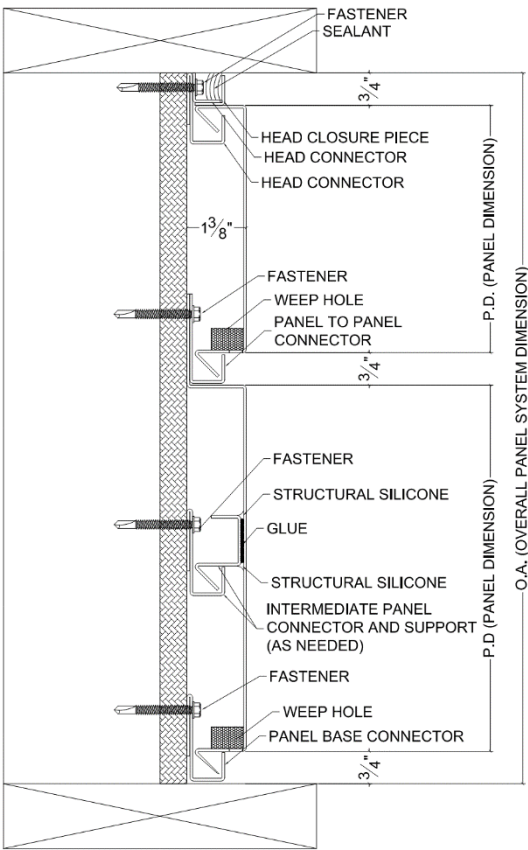
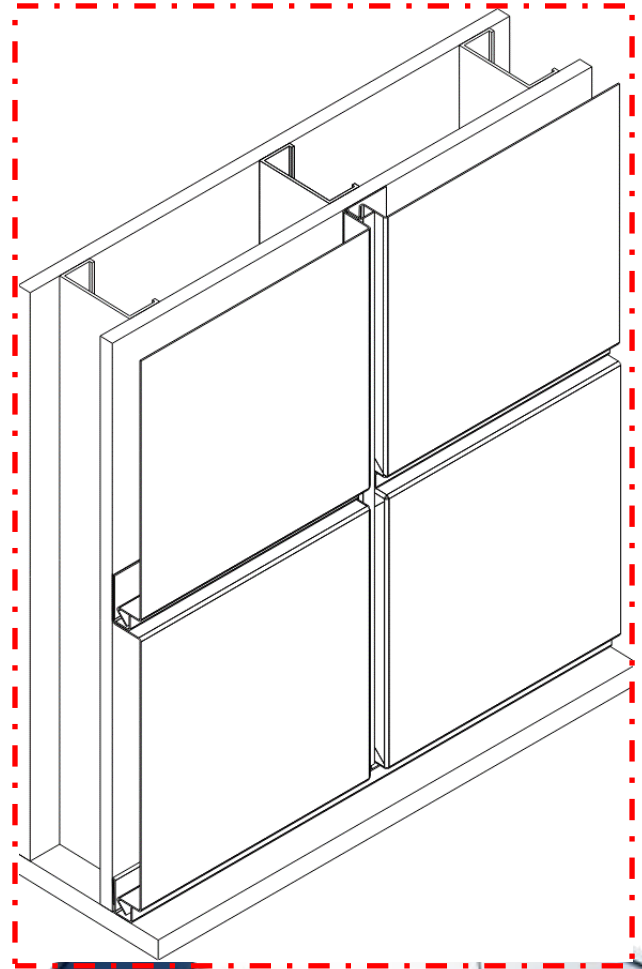
ECMS EC-300 SYSTEM

FORMED PLATE RAINSCREEN PANEL SYSTEM

East Coast Metal Systems, Inc
625 Distribution Road ▪ Triadelphia, WV 26059
www.ecmsinc.net | P: (304) 909-4220 F: (304) 909-4242

EC-300 SYSTEM

The EC-300 Formed Plate Rainscreen System is based upon the “rainscreen principle” and allows incidental water to enter the cladding cavity but then be drained via weep holes. Utilizing noncombustible formed panels attachment profiles, panel reveals are $\frac{3}{4}$ ” wide and $\frac{1}{2}$ ” deep. The EC-300 system is compatible with 0.063” and 0.080” Aluminum Plate as well as Copper, Steel and Stainless Steel. The color choices are endless and can be manufactured utilizing Kynar coil coated finishes or post painted after fabrication.





EC-300 SYSTEM

System:	EC-300 (Dry Joint Rainscreen)
Panel Type:	Formed Plate Panel System
Material Options:	0.063" 0.080" Aluminum, 20 oz Copper, 16 ga. Steel 16 ga. Stainless Steel
Color:	Unlimited Color selection
Finishes:	Coil Coated Kynar Post Painted Kynar Anodized Natural Finishes
Substrate:	Subgirt or Plywood
Standard Panel Surface:	Smooth
Max Panel Width:	54.75" (1390.65 mm) ¹
Min. Panel Width:	4" (101.6 mm) ²
Max Panel Length:	114.75" (2914.65 mm)
Min. Panel Length:	4" (304 mm)

PERFORMANCE TESTING

<u>Test Method</u>	<u>Title of Test</u>	<u>Results</u>
ASTM E 330	Uniform Positive Load Deflection	Pass ^{3,4}
ASTM E 330	Uniform Negative Load Deflection	Pass ^{3,4}
<u>Test Method</u>	<u>Title of Test</u>	<u>Results</u>
ASTM E 283	Air Infiltration	Pass ³
ASTM E 331-00	Static Water Penetration	Pass ³
AAMA 501.1	Dynamic Water Penetration	Pass ³

Note

1. Max panel width subject to change based on desired material. Limitations listed are based on .063" aluminum material.
 2. At a standard depth
 3. Test Reports available upon request.
 4. Testing completed utilizing .063" mill finish 3003 H14 aluminum sheet material
- **Test Date 5/16/22